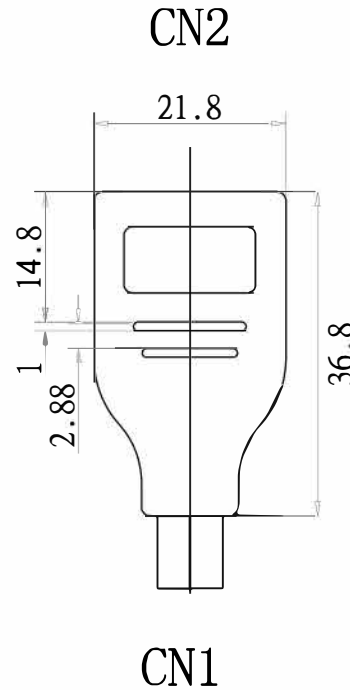
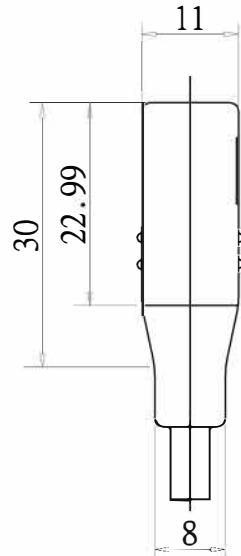
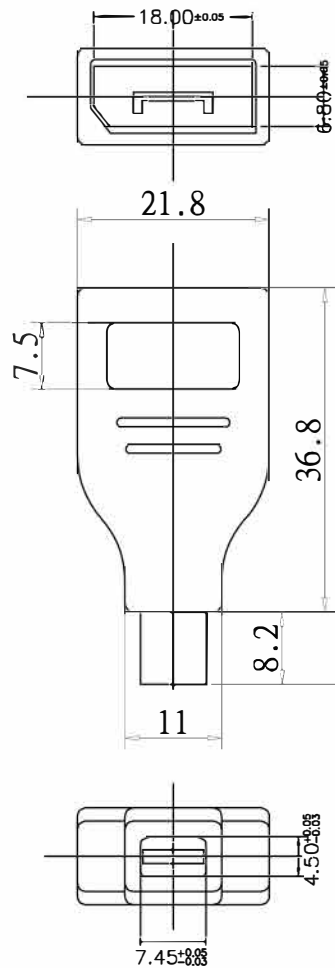


### 接点图



CN1	CN2	CN1	CN2		
1	-----	2	11	-----	6
2	-----	18	12	-----	12
3	-----	1	13	-----	8
4	-----	13	14	-----	16
5	-----	3	15	-----	7
6	-----	14	16	-----	15
7	-----	5	17	-----	9
8	-----	11	18	-----	17
9	-----	4	19	-----	19
10	-----	10	20	-----	20
		G	-----	G	

NOTE :

1.SPECIFICATION:

- 1.1.CURRENT RATING: 0.5 Amp Max.
- 1.2.VOLTAGE RATING: 40 V ac(r.m.s) Max.
- 1.3.CONTACT RESISTANCE: 10m ohms Max.mated
- 1.4.INSULATION RESISTANCE:100M ohms Min.
- 1.5.DIELECTRIC WITHSTANDING VOLTAGE:  
AC 500V Min. (for 1 minute)
- 1.6.OPERATION TEMPERATURE RANGE: -25°C~85°C

2.MECHANICAL

- 2.1 INSERTION FORCE: 4.5KGF MAXMUM
- 2.1 WITHDRAWAL FORCE: 1.0KGF MINIMUM; 4.0KGF MAXMUM

				Edition	A0				
				SCALE					
				UNIT	mm				
				Page	1/1				
项次NO.	品 称 NAME	规格	备注 REMARK	品 编 码	PART NO.			DWG NO.	DATE
				100001172	MDPDP-ADPT				2016/03/14
					DRAWN	Wei Peng	CHECKED		APPRD

