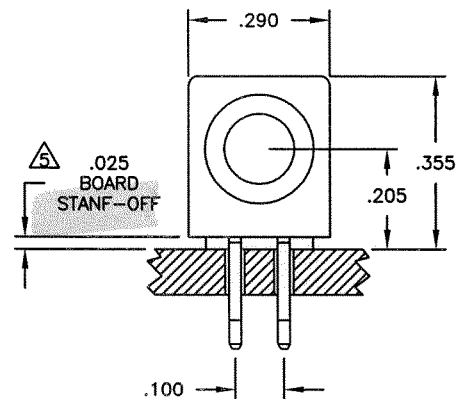
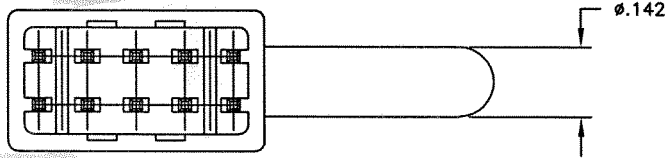
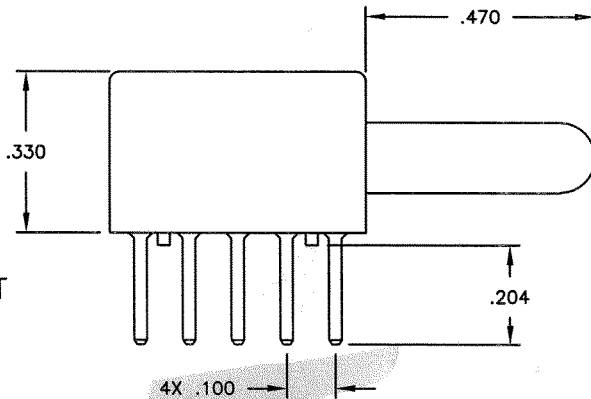
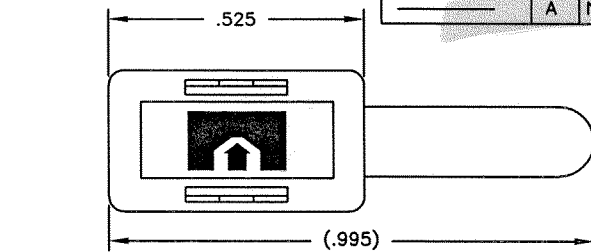
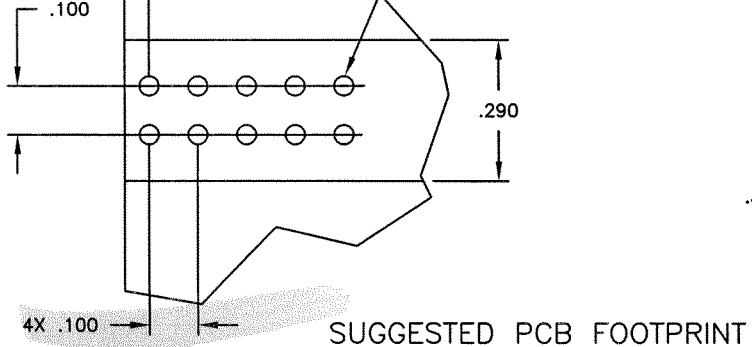
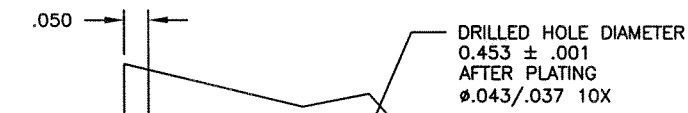


This drawing involves proprietary design rights of Tyco Electronics Corporation, and all design, manufacture, reproduction, use and sale rights regarding the same are expressly reserved. It is submitted for a specific purpose and the recipient by accepting this drawing, assumes custody and control and agrees to take reasonable precautions: (a) that this drawing will not be copied and reproduced, in whole or in part, or its contents revealed in any manner, or to any person except to meet the purpose for which it was delivered and (b) that any special features peculiar to this design will not be incorporated in other projects without the expressed written permission of Tyco Electronics Corporation.

| REVISIONS | | | |
|-----------|-----|-------------|----------|
| EC | REV | DESCRIPTION | DATE |
| | A | NEW RELEASE | 07.29.05 |



6. REFERENCE TYCO ASSEMBLY PART NUMBER 6643228-1

⚠ A FIVE-POUND (5lb) FORCES REQUIRED TO CORRECTLY SEAT THE CONNECTOR WITH PLATED THRU HOLES LESS THEN Ø.040 INCH.

4. FINISH:
 MODULE - SILVER PLATED
 CROWN - GOLD PLATED
 CONTACT - SILVER PLATED

3. MATERIAL:
 INSULATOR - POLYESTER, GLASS FILLED, UL 94 V-0 RATED COLOR-BLACK
 MODULE - METAL CASTING
 CROWN - BECU
 CONTACT - BRASS

2. ITEMS PROVIDED TO THIS SPECIFICATION SHALL BE IDENTIFIED ON CONTAINER WITH THE FOLLOWING INFORMATION PART NUMBER AND DATE CODE OF MANUFACTURE.

1. PART NUMBER CHANGES AND/OR DESIGN CHANGES AFFECTING ITEM INTERCHANGEABILITY REQUIRE PRIOR TYCO APPROVAL AND AUTHORIZATION BY REVISION TO THIS DRAWING.

NOTES: UNLESS OTHERWISE SPECIFIED

| | | | | | | | |
|--|-----------------|--------------------------------|--|--|-----------|-------------------------|-----------|
| -INCH OR INCH (MM) THIRD ANGLE PROJECTION UNLESS OTHERWISE SPECIFIED DIMENSIONS ARE IN INCHES (METRIC) TOLERANCES ANGLES ± .5° DECIMALS .XXX ± .020 .XX ± | DRAWN LOVATO | DATE 07.29.05 | Tyco Electronics Corporation Menlo Park, Ca 94025 | TITLE SLIMLINE PIN CONNECTOR PARALLEL NON-LOCKING PIN WITH SOLDER TAILS | SIZE B | DWG NUMBER C-6643228 | REV. A |
| | CHECKED | APPROVED | | | | | |
| | DCA APPROVED | ACAD FILE NUMBER C6643228A.DWG | | DWG SCALE 4=1 | | SH 1 OF 1 | |