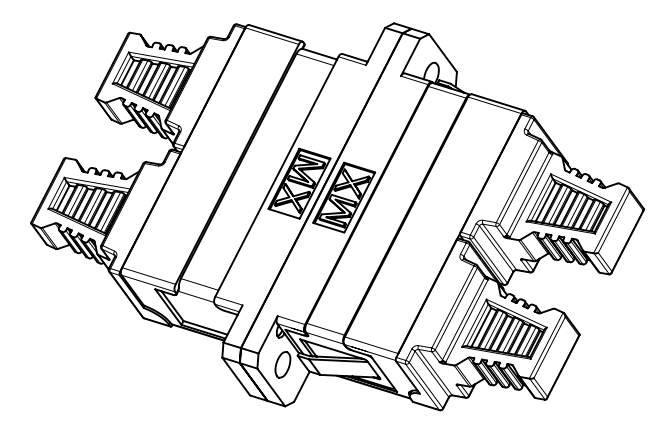
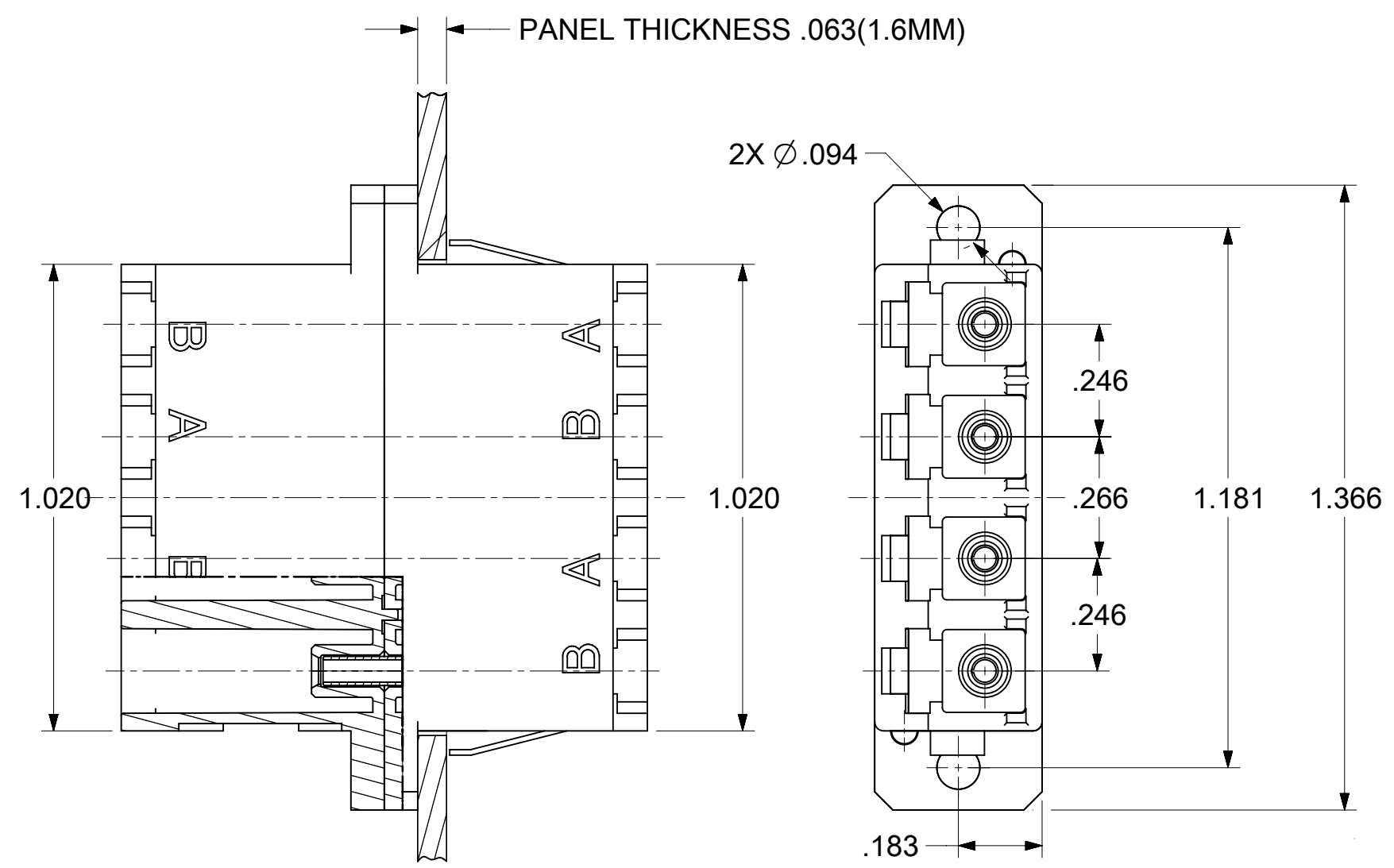
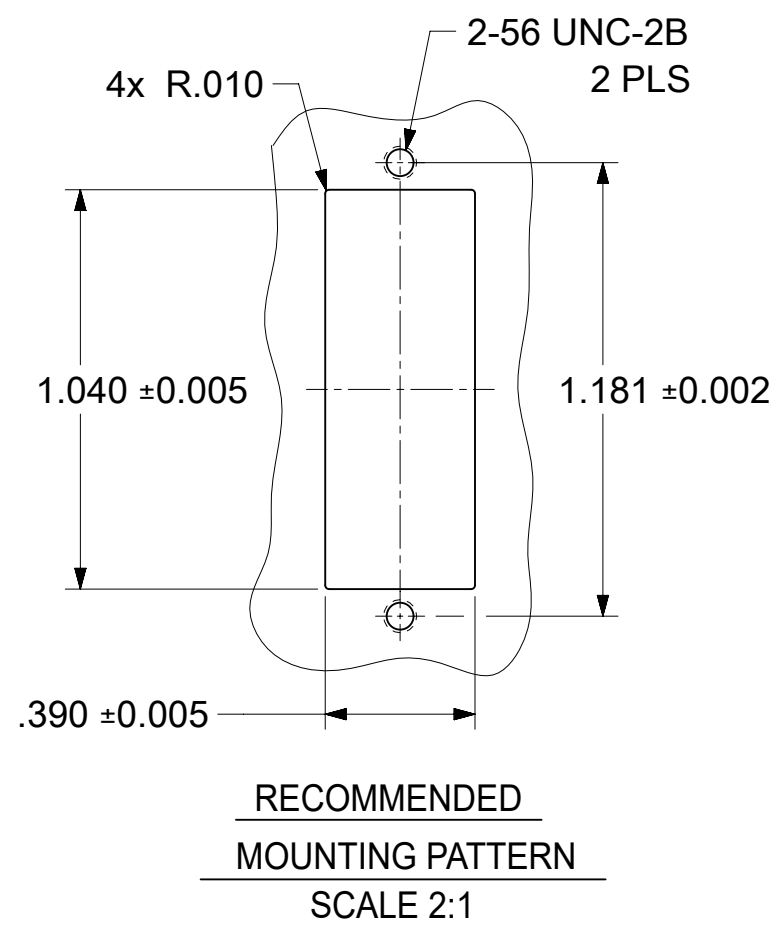
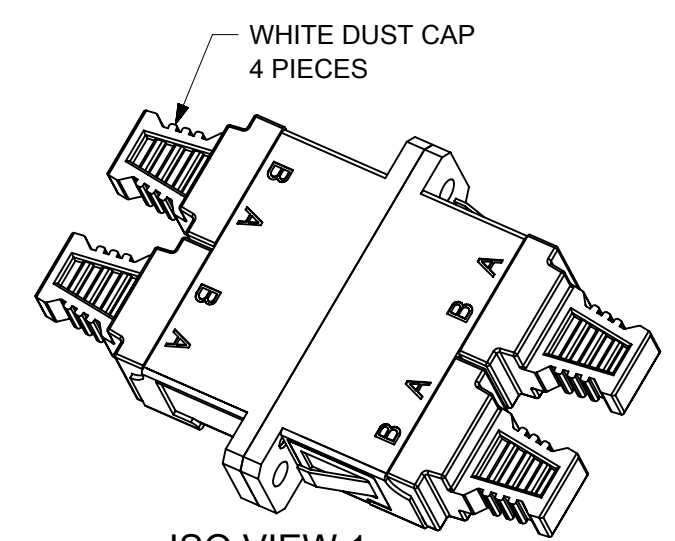


LC QUAD ADAPTER P/N	LC QUAD ADAPTER COLOR	SPLIT SLEEVE MATERIAL
106123-0100	BLUE	ZR
106123-1100	BEIGE	ZR
106123-2100	GREEN	ZR
106123-3100	AQUA	ZR

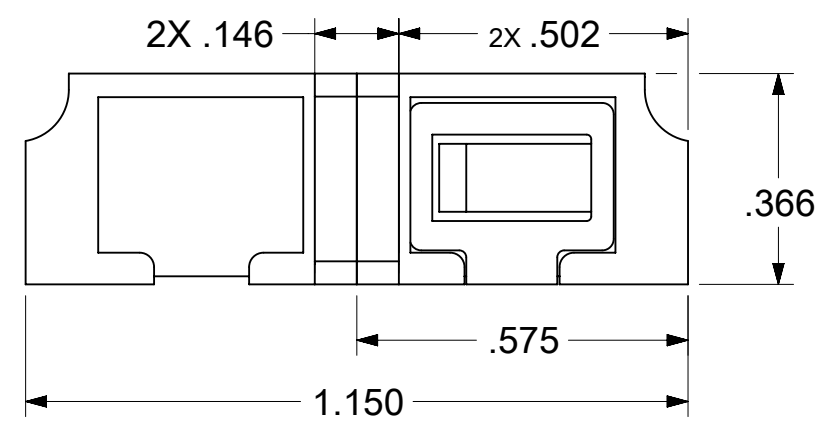


ISO VIEW 2
SCALE 1.5:1



ISO VIEW 1
SCALE 1.5:1

WHITE DUST CAP
4 PIECES



- NOTES:
1. ALL DIMENSIONS ARE FOR REFERENCE.
 2. DUST CAPS NOT SHOWN ON FRONT, BOTTOM AND RIGHT VIEW.
 3. LC QUAD ADAPTER HAS SC DUPLEX ADAPTER FOOTPRINT.

PRE-RELEASE
REFERENCE
USE ONLY

THIS DRAWING CONTAINS INFORMATION THAT IS PROPRIETARY TO MOLEX ELECTRONIC TECHNOLOGIES, LLC AND SHOULD NOT BE USED WITHOUT WRITTEN PERMISSION										
FUNCTIONAL SYMBOLS	DIMENSION UNITS	SCALE	CURRENT REV DESC:							
$\frac{A}{0}$	INCH	3:1	EC NO: 691076							
$\frac{C}{0}$	GENERAL TOLERANCES (UNLESS SPECIFIED)		DRWN: JHUANG18 2022/01/12							
$\frac{P}{0}$	ANGULAR TOL ± °		CHK'D: IGUMIN 2022/01/13							
DIVISIONAL SYMBOLS	4 PLACES ±		APPR: IGUMIN 2022/01/13							
	3 PLACES ±		INITIAL REVISION:							
	2 PLACES ±		DRWN: PGIBLIN 2005/12/06							
	1 PLACE ±		APPR: IGUMIN 2005/12/06							
	0 PLACES ±		DRAFT WHERE APPLICABLE MUST REMAIN WITHIN DIMENSIONS							
THIRD ANGLE PROJECTION			DRAWING		SERIES		MATERIAL NUMBER		CUSTOMER	
C-SIZE			106123		SEE TABLE		GENERAL MARKET		SHEET NUMBER	
									1 OF 1	

molex

LC QUAD ADAPTER
(SCREW AND SNAP MOUNT)

PRODUCT CUSTOMER DRAWING

DOCUMENT NUMBER	DOC TYPE	DOC PART	REVISION
SD-106123-X100	PSD	001	B1

DOCUMENT STATUS	RELEASE DATE								
-----------------	--------------	--	--	--	--	--	--	--	--