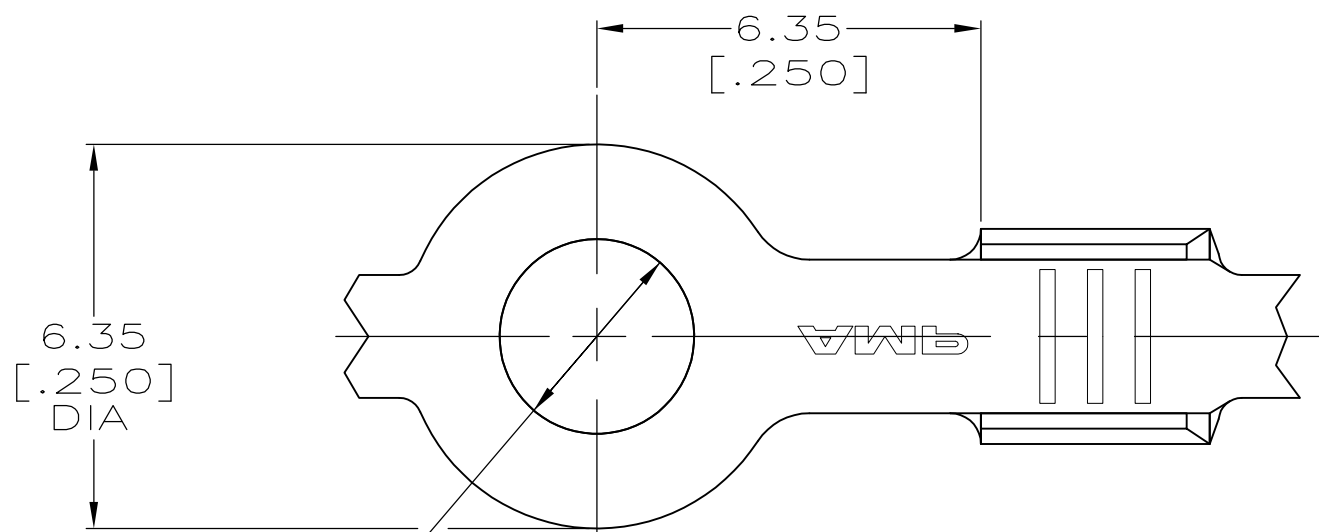


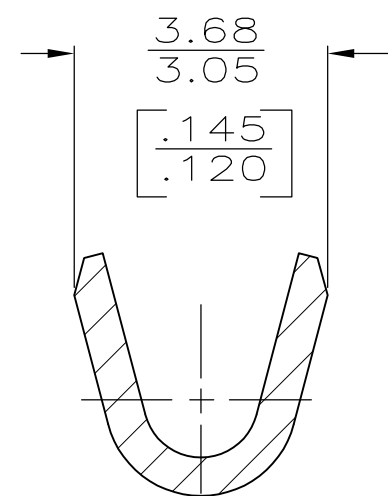
THIS DRAWING IS UNPUBLISHED. RELEASED FOR PUBLICATION

© COPYRIGHT BY TYCO ELECTRONICS CORPORATION. ALL INTERNATIONAL RIGHTS RESERVED.

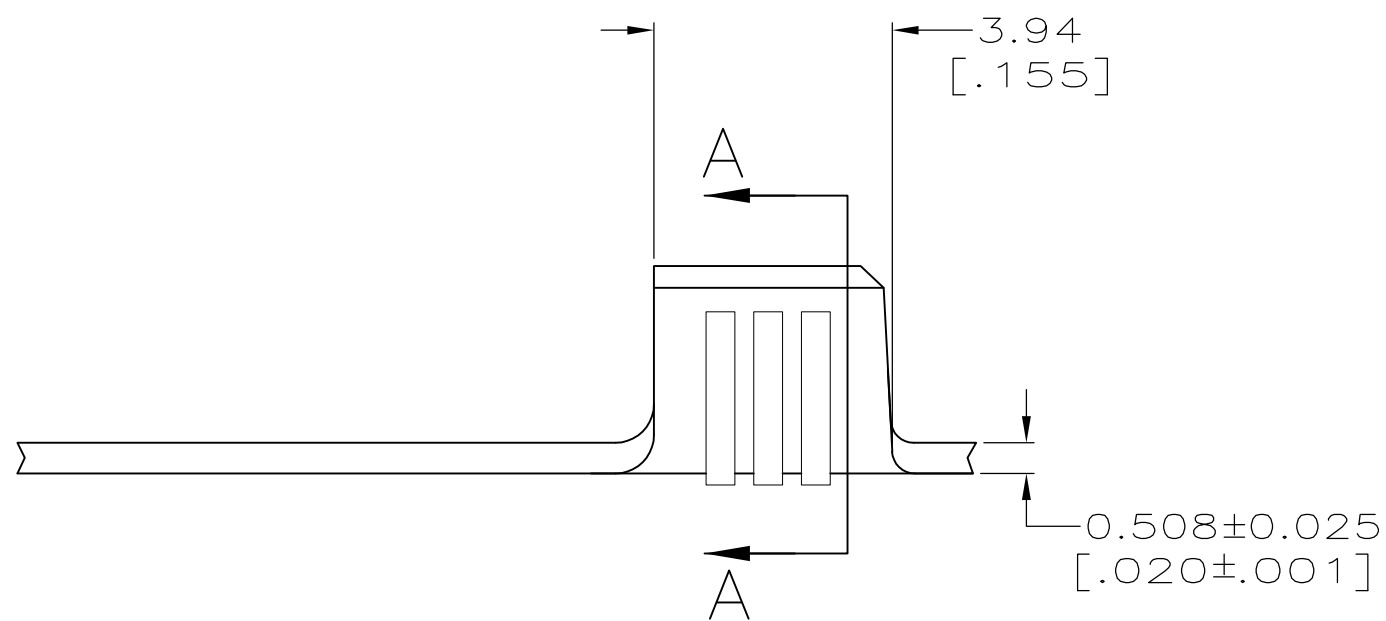
LOC AF	DIST 50	REVISIONS			
P	LTR	DESCRIPTION	DATE	DWN	APVD
	T	REVISED PER ECR-10-006099	07JUL10	HMR	PD



1 CONTINUOUS STRIP ON REEL.



SECTION A-A
SCALE 10:1



OBSOLETE	H02 PHOS BRZ	[22-16] AWG	42185-3
	082 BRASS		42185-2
	MATERIAL	WIRE RANGE	PART NUMBER

THIS DRAWING IS A CONTROLLED DOCUMENT.		DWN PHILLIP M FORTNEY 11/FEB/97	Tyco Electronics Corporation Harrisburg, PA 17105-3608	
DIMENSIONS: mm [INCHES]		CHK JEFF R RUTH 11/FEB/97	NAME	
TOLERANCES UNLESS OTHERWISE SPECIFIED:		APVD GARY YETTER 11/FEB/97	PRODUCT SPEC	
0 PLC ± -		APPLICATION SPEC		
1 PLC ± -		SIZE		
2 PLC ± 0.25 [.010]		CAGE CODE		
3 PLC ± -		DRAWING NO		
4 PLC ± -		RESTRICTED TO		
ANGLES ± -		A3 00779 C-42185		
MATERIAL SEE TABLE		FINISH TIN		
		WEIGHT -		SCALE 8:1
		CUSTOMER DRAWING		SHEET 1 OF 1
				REV T