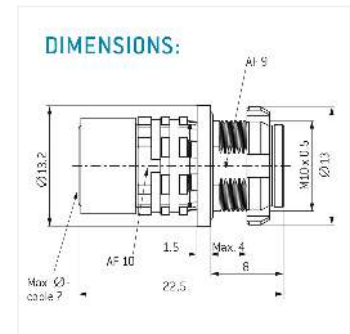
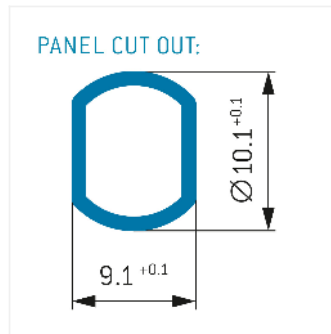
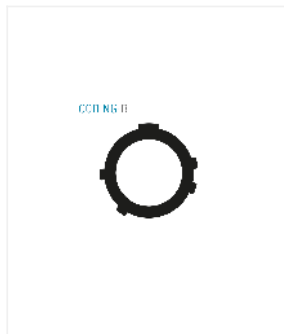


## General information

|                   |                     |
|-------------------|---------------------|
| Part number       | G60WBM-P09WMM0-0000 |
| Termination       | solder              |
| Size              | 0                   |
| Locking principle | break               |
| Coding            | b key_amc           |
| Cable Diameter    | cable_amchd_0       |



## Contact insert description

|                    |               |
|--------------------|---------------|
| Number of contacts | 9             |
| Contact type       | sockets       |
| Contact diameter   | 3.03 6 07mm   |
| Insulator material | peek          |
| Wire cross section | 22_awg 28_awg |
| Termination        | solder        |
| Data transmission  | usb_2_power   |

reverse\_gender\_on\_request

## Connection diagram

con\_usb\_2\_power

## Technical information

|                                |           |              |
|--------------------------------|-----------|--------------|
| Nominal current single contact | 1.5 a     | iec_60512_52 |
| Test voltage                   | 075_kv_dc | eia_364_20f  |

safety\_text

## Mechanical and environmental data

|                       |              |
|-----------------------|--------------|
| Degree of protection* | ipsk8_ip6k9k |
| Operating temperature | 51_125_c     |
| Mating cycles         | 5000         |

mated

## Material and surface treatments

|         |               |
|---------|---------------|
| Housing | ruthenium     |
| Contact | cu_alloy_gold |

data\_text

safety\_text 2  
data\_text  
ul\_text  
illustrative\_text