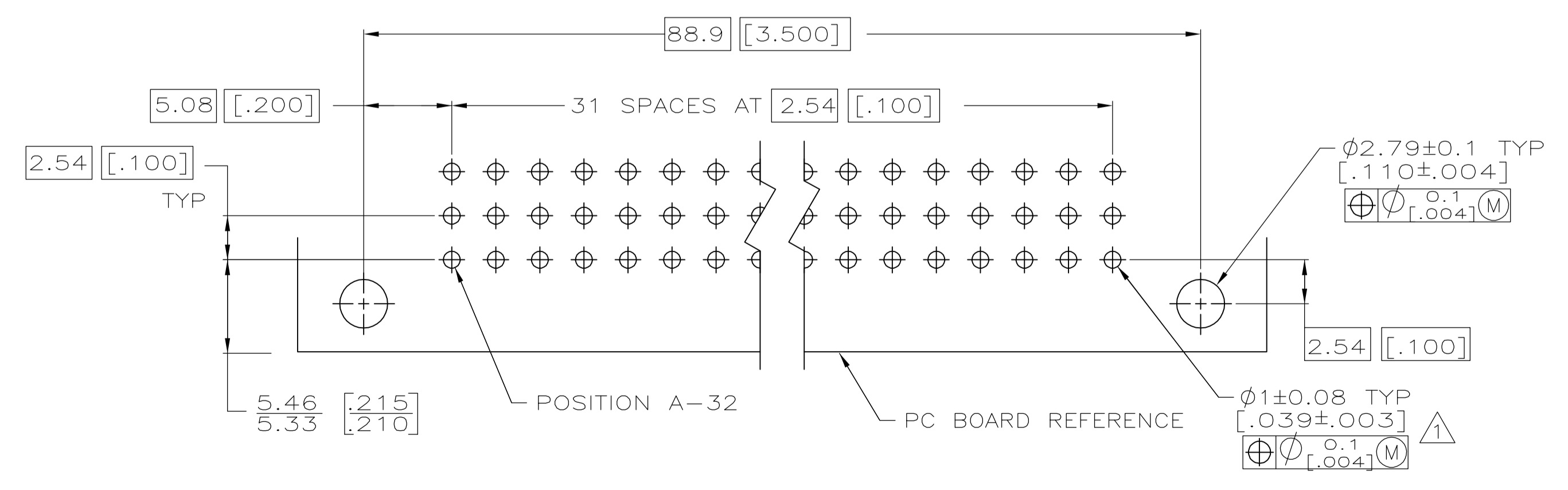
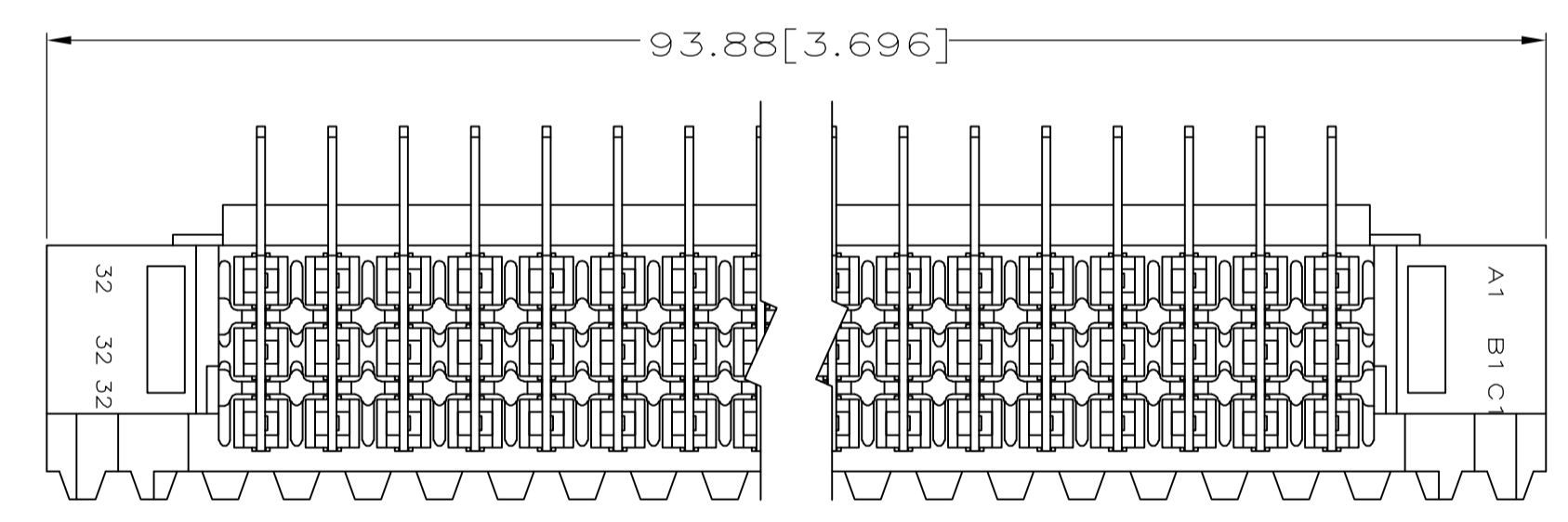
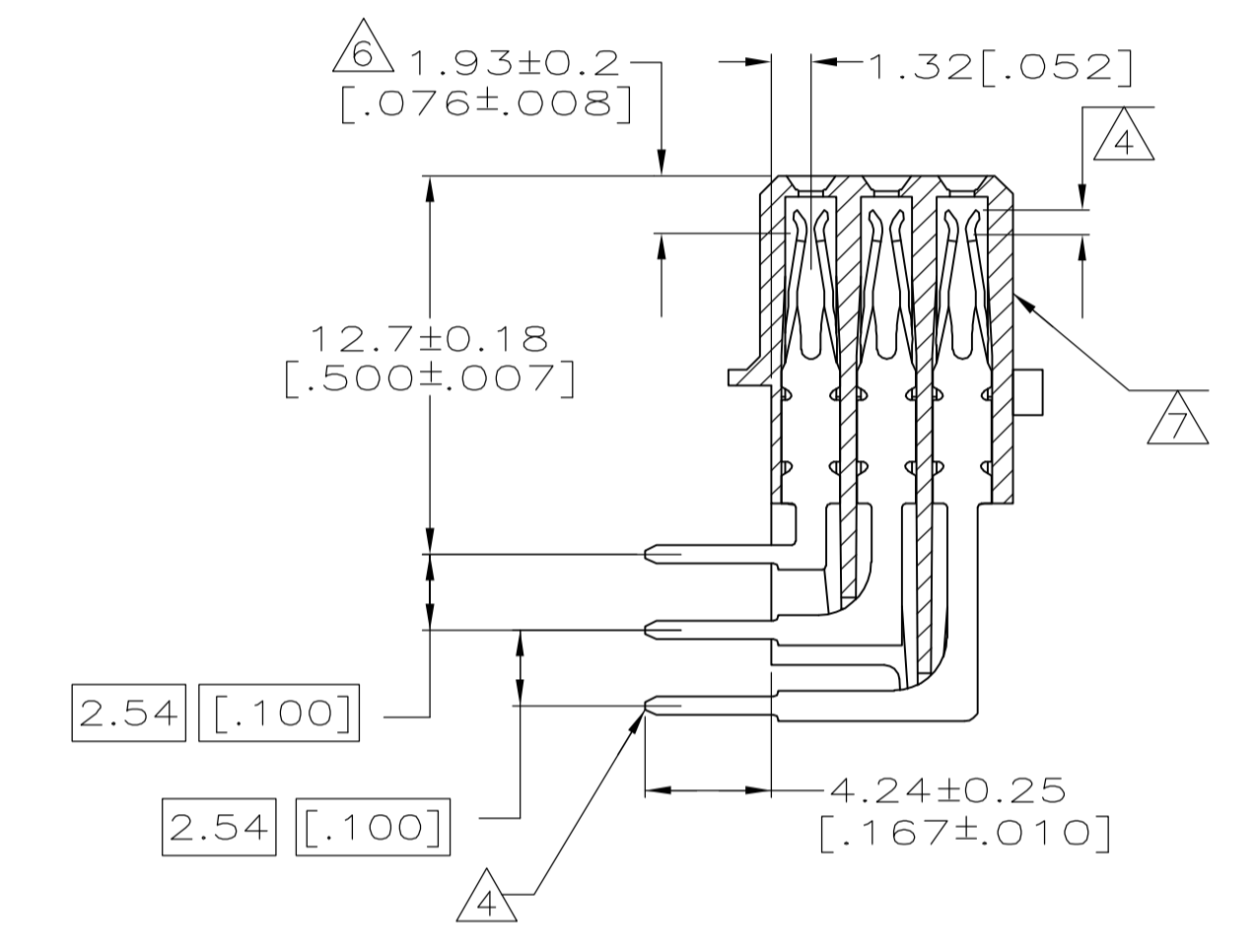
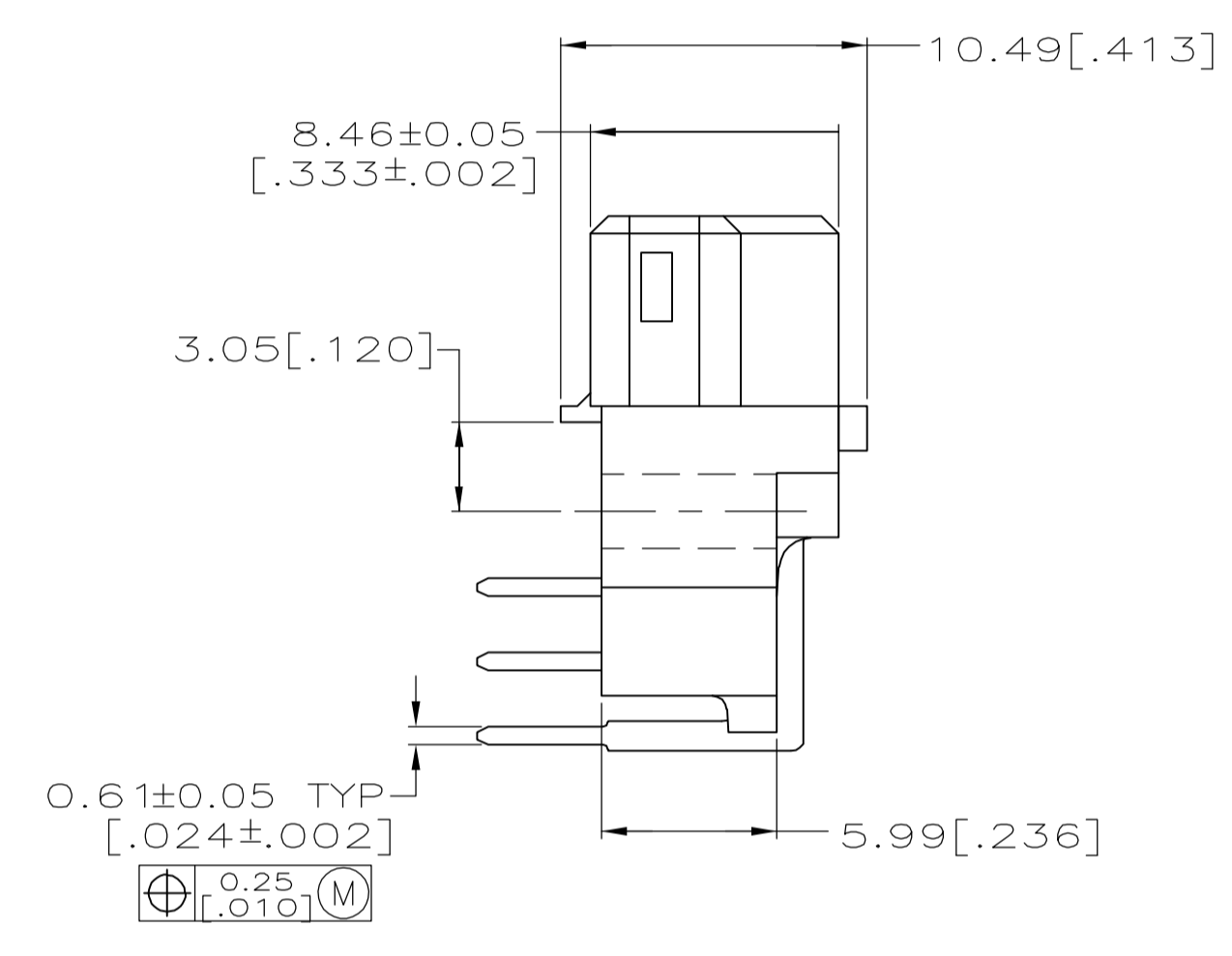
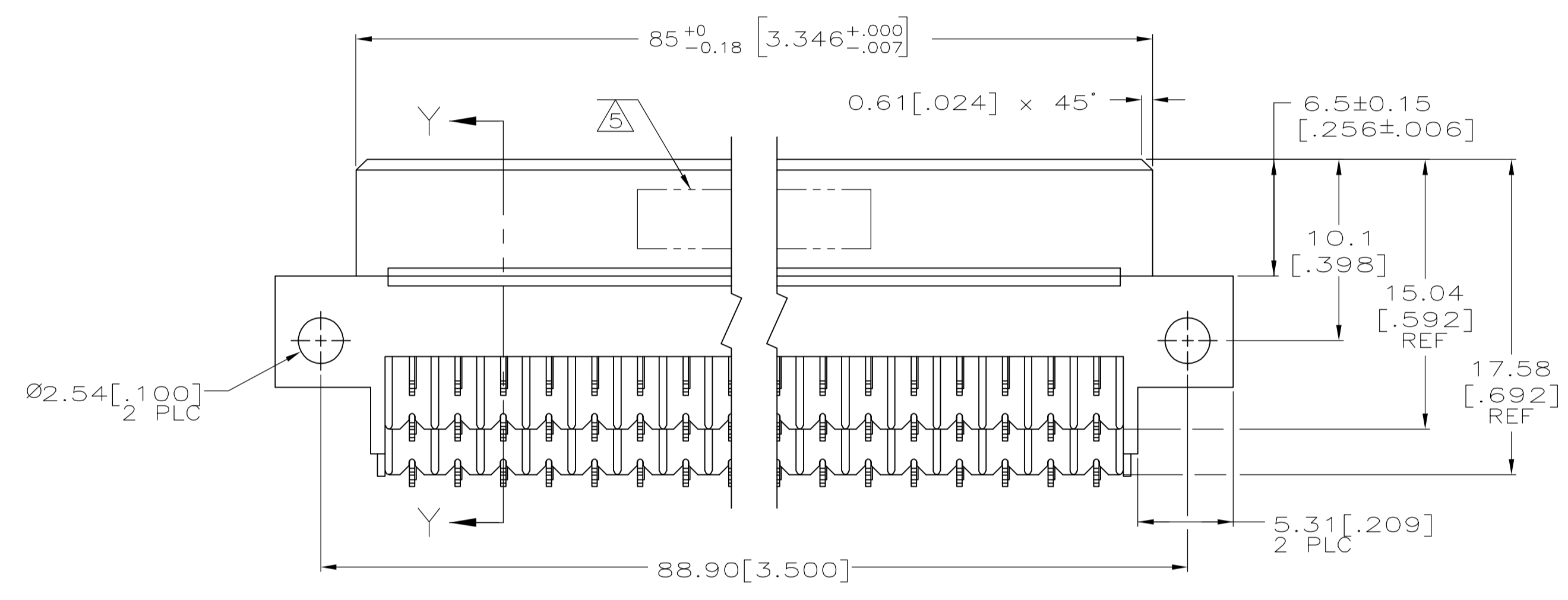
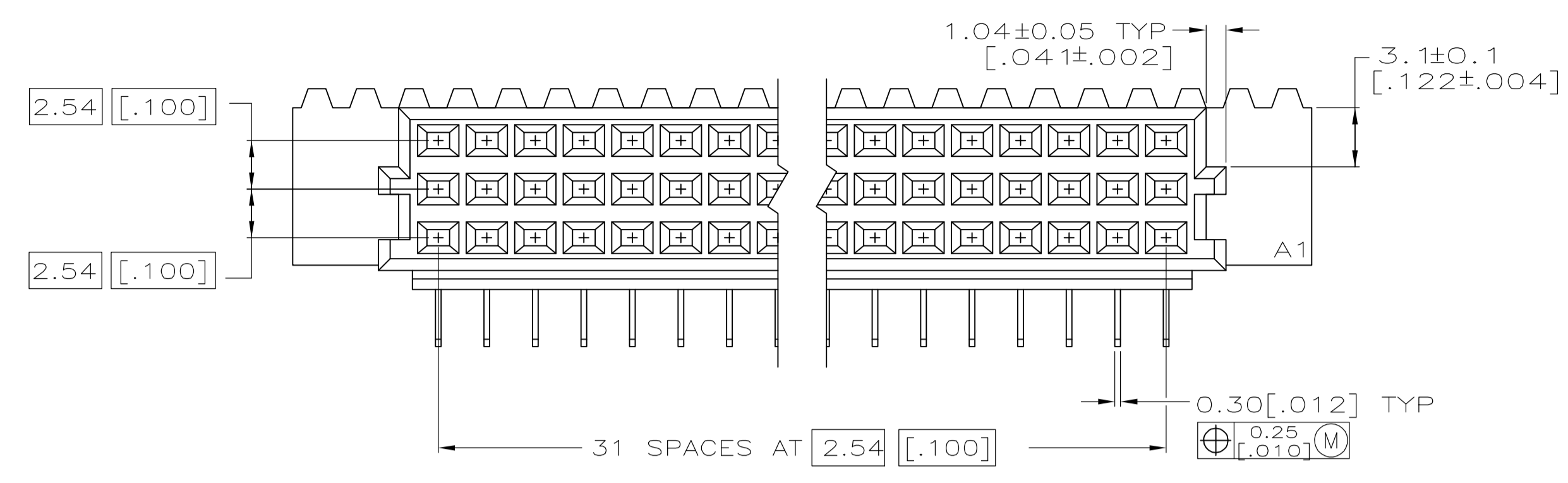


- 1 RECOMMENDED HOLE SIZE FOR MANUAL APPLICATION OF CONNECTOR ONTO PC BOARD.
- 2 HOUSING MATERIAL: GLASS-FILLED POLYMER.
- 3 CONTACT MATERIAL: COPPER ALLOY.
- 4 CONTACT FINISH: DIN 41612 CLASS 2 IN CONTACT AREA. TIN PLATE ON POSTS.
- 5 PART NUMBER, DATE CODE IDENTIFICATION, CSA LOGO THIS APPROXIMATE AREA.
- 6 CONTACT POINT.
- 7 MARKING ON THIS SIDE.



1 THRU 32	X	X	X	96	5650462-5
1 THRU 32	X	X	X	96	5650462-4
NOTES	POSITIONS LOADED		ROWS LOADED	NO. OF LOADED POSITION	ASSY PART NUMBER

THIS DRAWING IS A CONTROLLED DOCUMENT.

DIMENSIONS: mm [INCHES]	TOLERANCES UNLESS OTHERWISE SPECIFIED:	DIN J. POLIGNONE	03JUN05	tyco Electronics	Tyco Electronics Corporation Harrisburg, Pa 17105-3608
0 PLC ± -	1 PLC ± -	CIK A. SHARPE	03JUN05	NAME	ASSEMBLY, RECEPTACLE, EUROCARD, TYPE R, LEAD-FREE, 96 POSITION, 4.24[.167] SOLDER POSTS
2 PLC ± 0.13[.005]	3 PLC ± -	APVD A. SHARPE	03JUN05	APPLICATION SPEC	SIZE
4 PLC ± -	ANGLES ± -	FINISH	4	WEIGHT	A1 00779 C=5650462
MATERIAL	FINISH	WEIGHT	—	CUSTOMER DRAWING	SCALE 4:1 SHEET 1 OF 1 REV 0