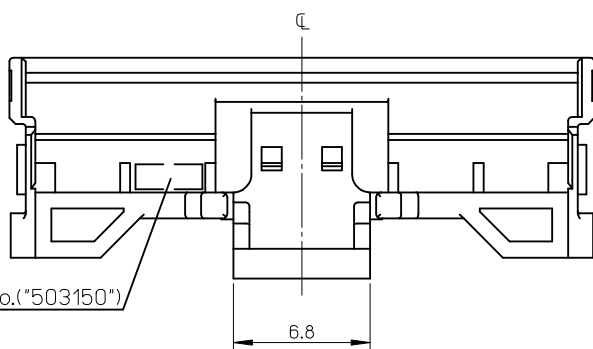
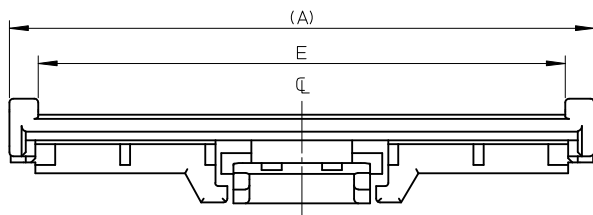
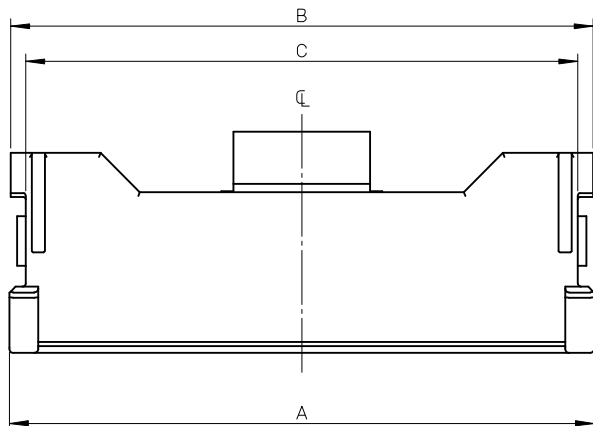


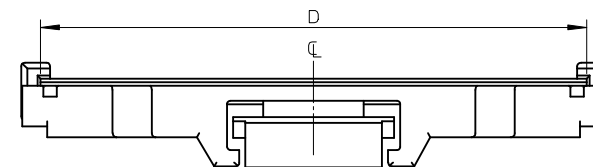
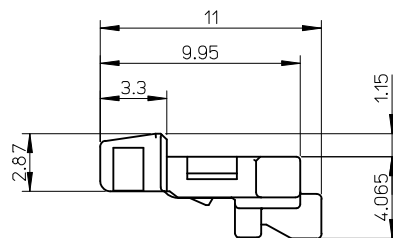
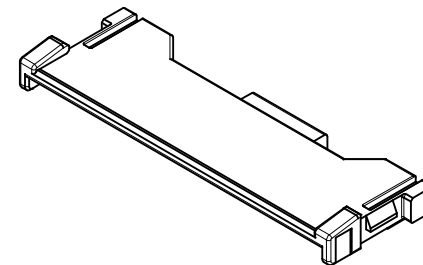
ELV AND RoHS COMPLIANT.



EGN. No.('503150')

注記 NOTE

- 適合プラグジャケットカバー: 503151-****
APPLICABLE PLUG JACKET COVER : 503151-****
- 材質
MATERIAL
PBT, UL94V-0, 色: 黒色
PBT, UL94V-0, COLOR: BLACK



26.2	27.16	27.46	28.96	29.08	503150-5009	50
E	D	C	B	A	PLASTIC BAG	CKTS.
					ORDER NO. オーダー番号	

REVISED EC NO: J2009-1709 DRWN: NAKAGAWA01 2009/01/14 CHKD: MATSUMOTO 2009/01/14 APPR: NUKITA 2009/01/14	DESCRIPTION	GENERAL TOLERANCES (UNLESS SPECIFIED)		DIMENSION STYLE	SCALE	DESIGN UNITS	THIRD ANGLE PROJECTION
		10 UNDER	±0.2	MM ONLY	///	METRIC	
		10 OVER 30 UNDER	±0.25				
		30 OVER	±0.3				
A	REV	ANGULAR	±1 °	DRAWN BY: M. NABEI DATE: '08/07/07		TITLE: 0.5 FFC TO BOARD CONN. PLUG JACKET	
		DRAFT WHERE APPLICABLE MUST REMAIN WITHIN DIMENSIONS		CHECKED BY: K. MORIKAWA DATE: '08/07/07		MOLEX INCORPORATED	
				APPROVED BY: H. HIRATA DATE: '08/07/07		SD-503150-001	
				MATERIAL NO. SEE TABLE		SHEET NO. 1 OF 1	
				SIZE: A3		THIS DRAWING CONTAINS INFORMATION THAT IS PROPRIETARY TO MOLEX INCORPORATED AND SHOULD NOT BE USED WITHOUT WRITTEN PERMISSION	