

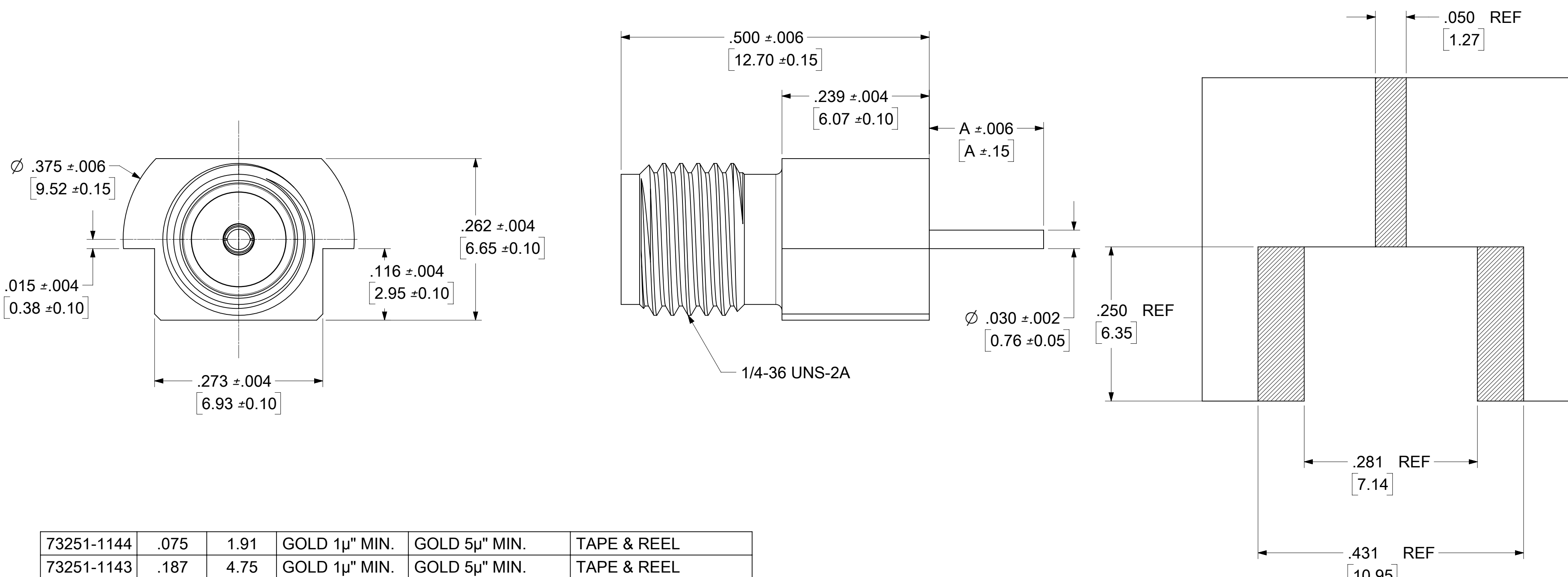
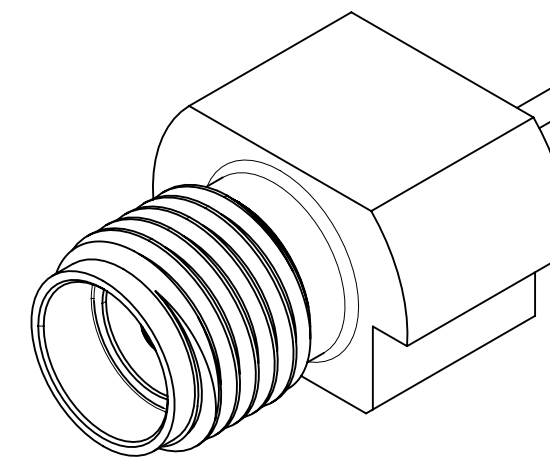
MATERIALS AND FINISHES:

BODY: BRASS
PLATED GOLD (SEE TABLE)

INSULATOR: TEFLON

CONTACT: BERYLLIUM COPPER
PLATED GOLD (SEE TABLE)

SPEC:
VSWR: 1.15 MAX. @6GHZ ;
1.30 MAX. @18GHZ
INSERTION LOSS: 0.09 dB MAX. @6GHZ ;
0.15 dB MAX. @18GHZ



73251-1144	.075	1.91	GOLD 1μ" MIN.	GOLD 5μ" MIN.	TAPE & REEL
73251-1143	.187	4.75	GOLD 1μ" MIN.	GOLD 5μ" MIN.	TAPE & REEL
73251-1142	.187	4.75	GOLD 1μ" MIN.	GOLD 5μ" MIN.	TRAY PER 89542-0040
73251-1141	.075	1.91	GOLD 10μ" MIN.	GOLD 30μ" MIN.	TRAY PER 89542-0040
73251-1140	.187	4.75	GOLD 10μ" MIN.	GOLD 30μ" MIN.	TRAY PER 89542-0040
PART NO.	INCH	MM	BODY PLATING	CONTACT PLATING	PACKAGING
DIM X	A				

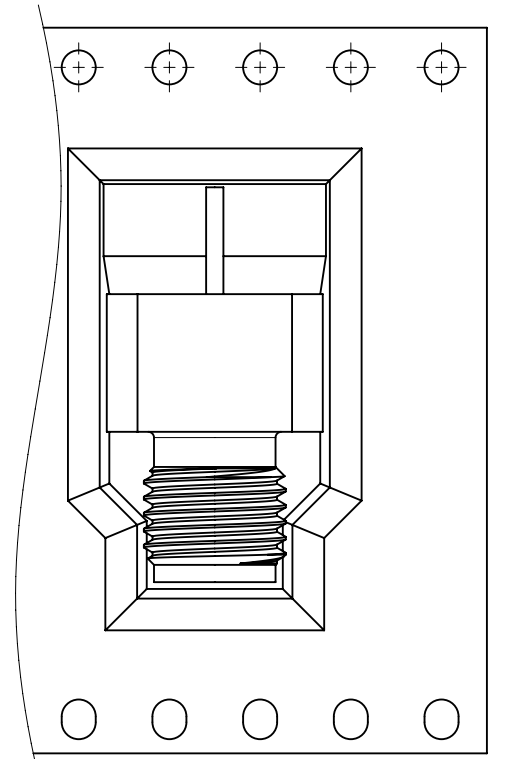
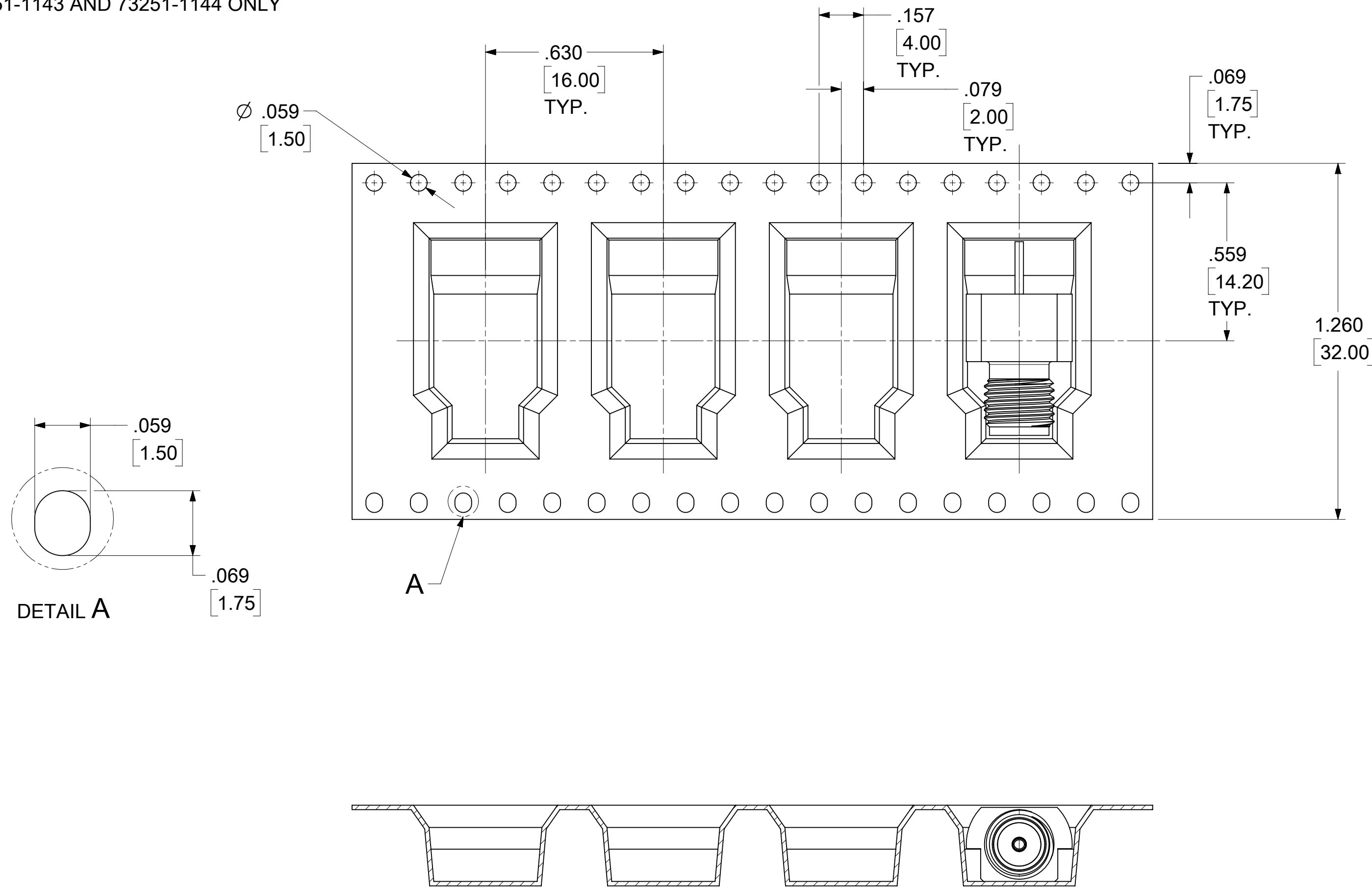
PS-89675-365	SOLDER PROFILE
PS-89675-346	ELECTRO/MECH PERFORM.
SPECIFICATION	DESCRIPTION

RECOMMENDED PCB LAYOUT

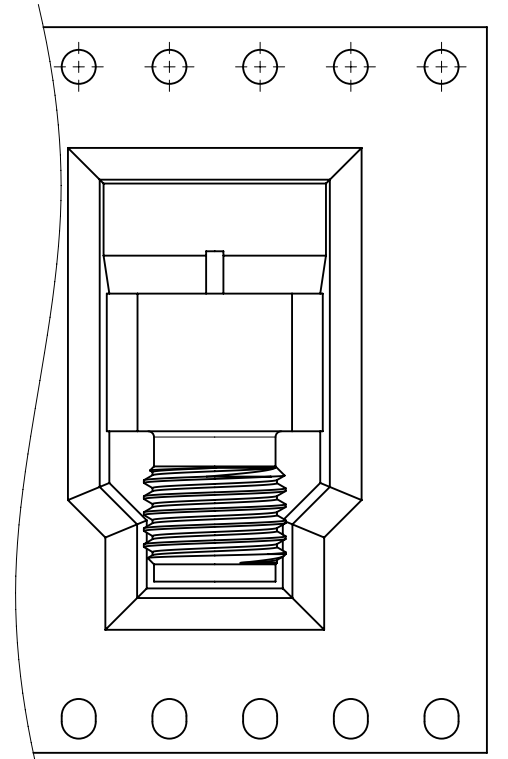
THIS DRAWING CONTAINS INFORMATION THAT IS PROPRIETARY TO MOLEX ELECTRONIC TECHNOLOGIES, LLC AND SHOULD NOT BE USED WITHOUT WRITTEN PERMISSION

DIMENSION UNITS	SCALE	CURRENT REV DESC: ADD ELEC SPEC & SPEC NO.; ADD SOLDER SPEC NO. PER EWR14188-A	molex		
INCH	NTS				
GENERAL TOLERANCES (UNLESS SPECIFIED)			SMA JACK SURFACE MOUNT END LAUNCH SMA-J/PCB, EWR-3563		
ANGULAR TOL	± 0.5°	EC NO: 652127	PRODUCT CUSTOMER DRAWING		
4 PLACES	±	DRWN: CWEI02 2020/11/19	DOCUMENT NUMBER		
3 PLACES	±	CHK'D: YCHENG 2020/12/29	SD-73251-114		
2 PLACES	±	APPR: YCHENG 2020/12/29	DOC TYPE DOC PART REVISION		
1 PLACE	±	INITIAL REVISION:	PSD 001 A6		
0 PLACES	±	DRWN: LMB 2000/09/22	MATERIAL NUMBER		
		APPR: GMH 2000/09/22	CUSTOMER		
DRAFT WHERE APPLICABLE MUST REMAIN WITHIN DIMENSIONS		THIRD ANGLE PROJECTION	DRAWING	SERIES	SHEET NUMBER
			C-SIZE	73251	1 OF 3
DOCUMENT STATUS	P1	RELEASE DATE	2020/12/29 01:23:45	SEE TABLE	GENERAL MARKET

NOTES:
 1. MATERIAL: PS BLACK
 2. FOR 73251-1143 AND 73251-1144 ONLY



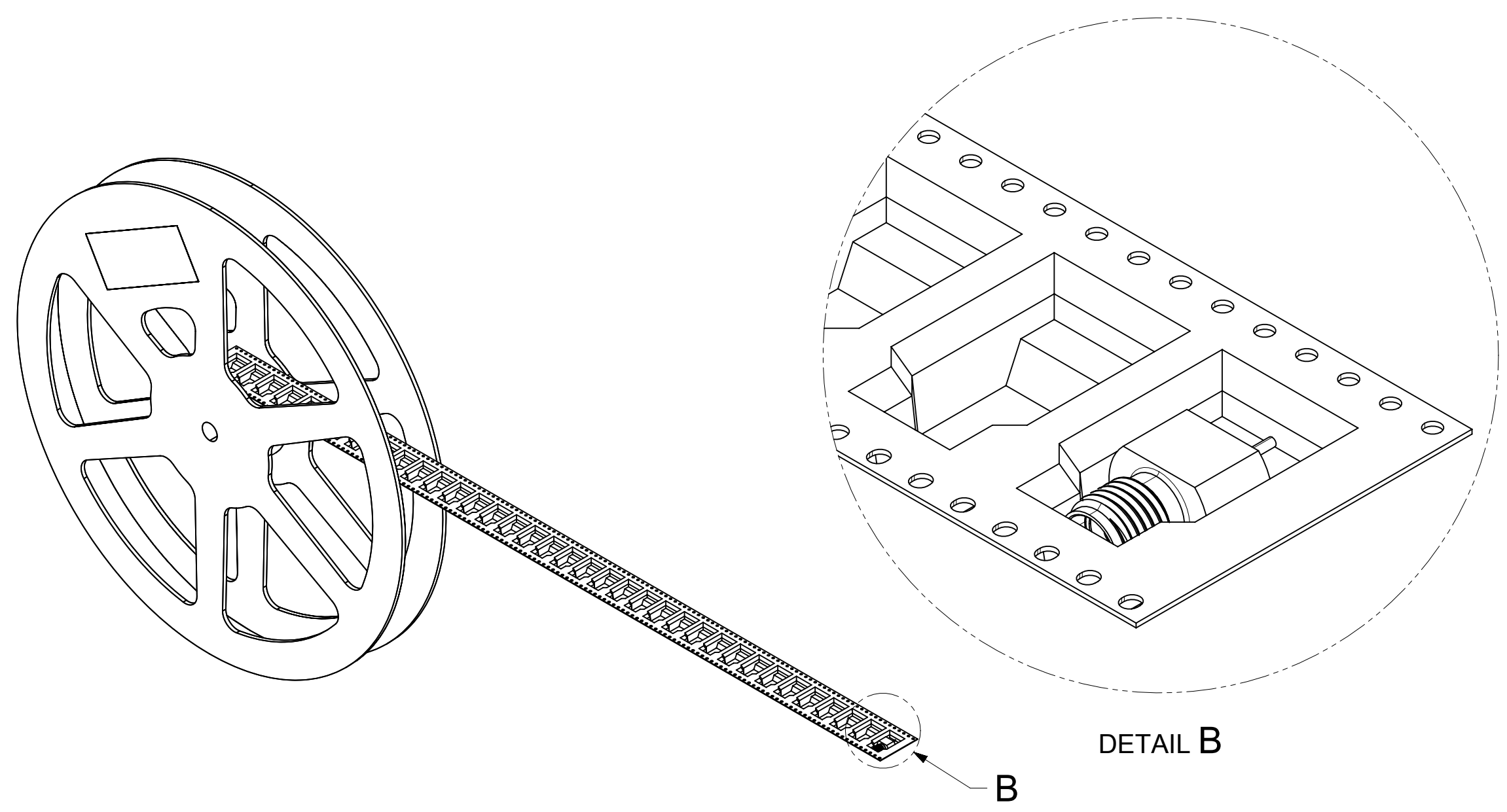
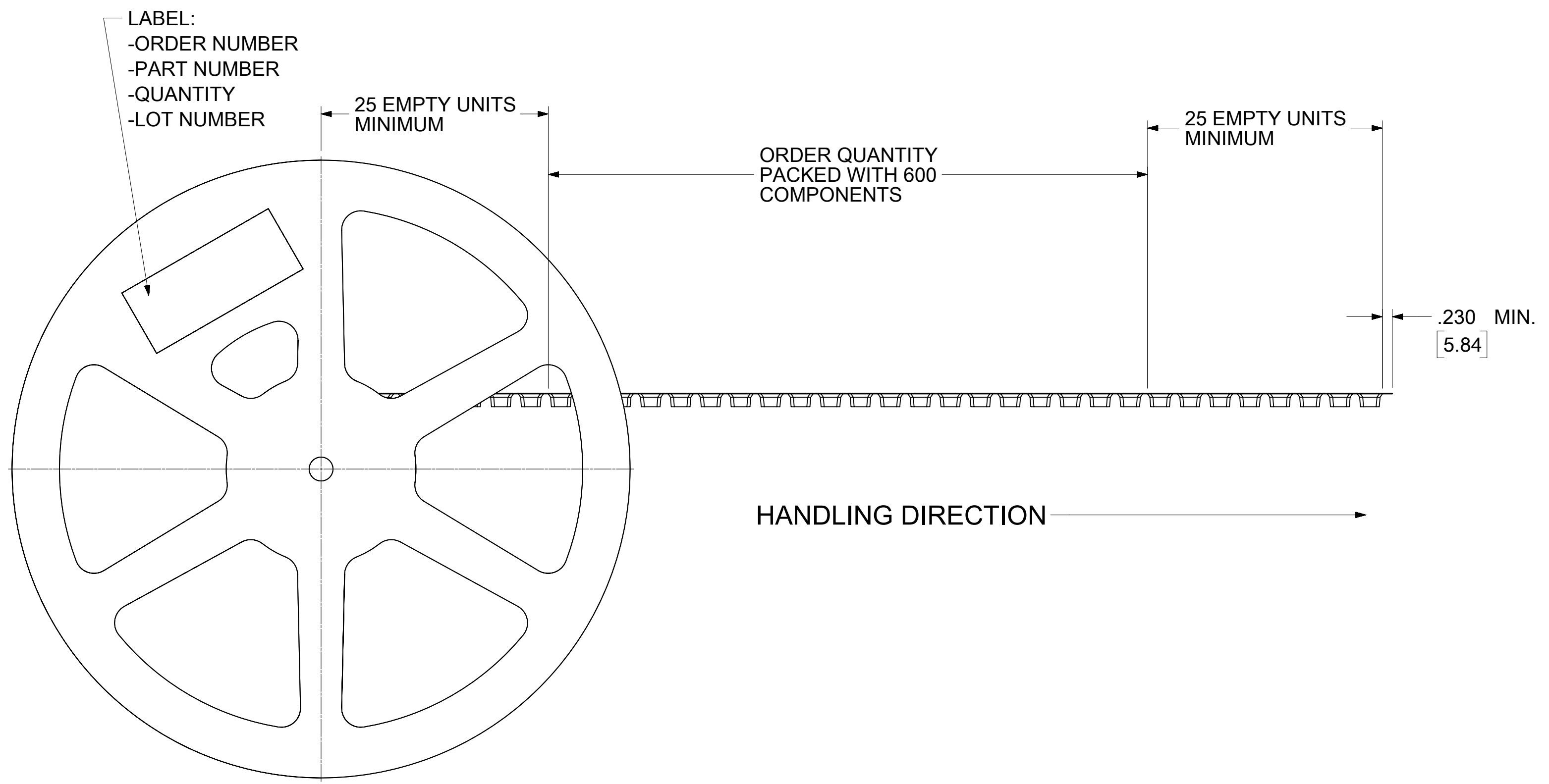
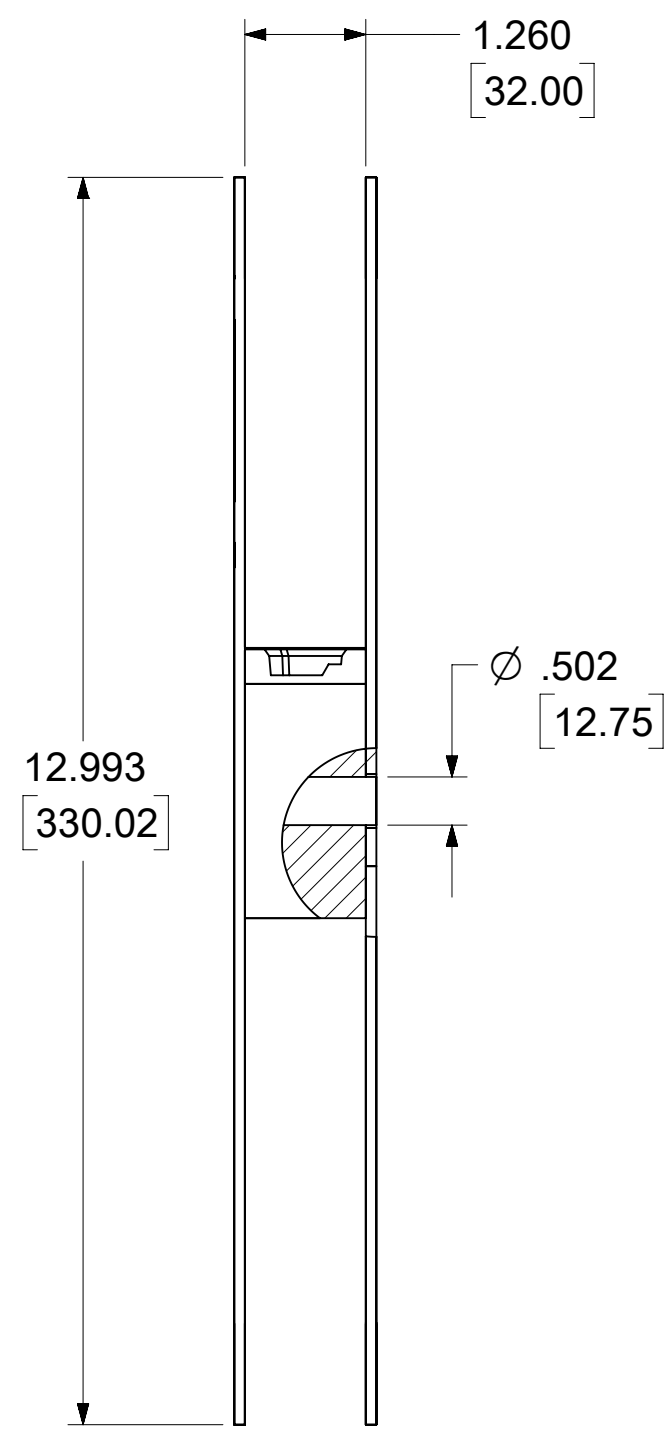
PART NO. 73251-1143



PART NO. 73251-1144

THIS DRAWING CONTAINS INFORMATION THAT IS PROPRIETARY TO MOLEX ELECTRONIC TECHNOLOGIES, LLC AND SHOULD NOT BE USED WITHOUT WRITTEN PERMISSION											
DIMENSION UNITS		SCALE		CURRENT REV DESC: ADD ELEC SPEC& SPEC NO.; ADD SOLDER SPEC NO. PER EWR14188-A						molex	
INCH		NTS									
GENERAL TOLERANCES (UNLESS SPECIFIED)				EC NO: 652127						SMA JACK	
ANGULAR TOL ± 0.5°				DRWN: CWEI02 2020/11/19						SURFACE MOUNT END LAUNCH SMA-J/PCB, EWR-3563	
4 PLACES ±				CHK'D: YCHENG 2020/12/29						PRODUCT CUSTOMER DRAWING	
3 PLACES ±				APPR: YCHENG 2020/12/29							
2 PLACES ±				INITIAL REVISION:						DOCUMENT NUMBER	
1 PLACE ±				DRWN: LMB 2000/09/22						SD-73251-114	
0 PLACES ±				APPR: GMH 2000/09/22						DOC TYPE DOC PART REVISION	
DRAFT WHERE APPLICABLE MUST REMAIN WITHIN DIMENSIONS				THIRD ANGLE PROJECTION		DRAWING		SERIES		MATERIAL NUMBER CUSTOMER SHEET NUMBER	
						C-SIZE		73251		SEE TABLE GENERAL MARKET 2 OF 3	

DOCUMENT STATUS	P1	RELEASE DATE	2020/12/29	01:23:45
-----------------	----	--------------	------------	----------



- NOTES:
 1. DIMENSIONS ARE PROVIDED FOR REFERENCE ONLY
 2. COMPONENT LOAD PER 13" REEL: 600 PCS
 3. FOR 73251-1143 AND 73251-1144 ONLY

THIS DRAWING CONTAINS INFORMATION THAT IS PROPRIETARY TO MOLEX ELECTRONIC TECHNOLOGIES, LLC AND SHOULD NOT BE USED WITHOUT WRITTEN PERMISSION									
DIMENSION UNITS		SCALE		CURRENT REV DESC: ADD ELEC SPEC & SPEC NO.; ADD SOLDER SPEC NO. PER EWR14188-A					
INCH		NTS							
GENERAL TOLERANCES (UNLESS SPECIFIED)				EC NO: 652127				SMA JACK	
ANGULAR TOL ± 0.5°				DRWN: CWEI02 2020/11/19				SURFACE MOUNT END LAUNCH SMA-J/PCB, EWR-3563	
4 PLACES ±				CHK'D: YCHENG 2020/12/29				PRODUCT CUSTOMER DRAWING	
3 PLACES ±				APPR: YCHENG 2020/12/29					
2 PLACES ±				INITIAL REVISION:				DOCUMENT NUMBER	
1 PLACE ±				DRWN: LMB 2000/09/22				SD-73251-114	
0 PLACES ±				APPR: GMH 2000/09/22				DOC TYPE DOC PART REVISION	
DRAFT WHERE APPLICABLE MUST REMAIN WITHIN DIMENSIONS				THIRD ANGLE PROJECTION		DRAWING		SHEET NUMBER	
						C-SIZE		3 OF 3	
				SERIES		MATERIAL NUMBER		CUSTOMER	
				73251		SEE TABLE		GENERAL MARKET	