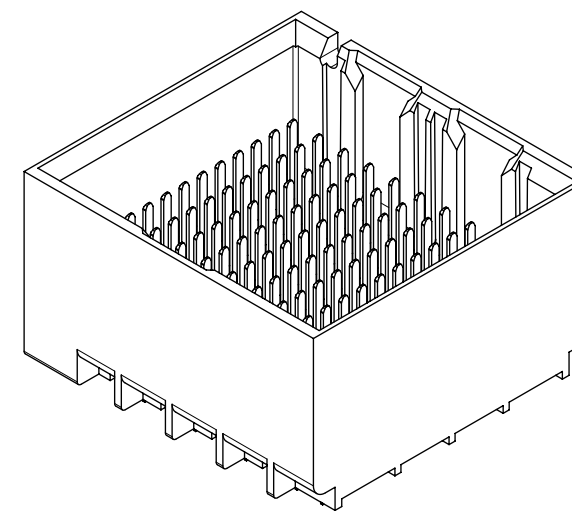


- NOTES:
1. MATERIALS: HOUSING - LIQUID CRYSTAL POLYMER (LCP) GLASS-FILLED, UL94V-0
TERMINALS - HIGH PERFORMANCE COPPER ALLOY
 2. FINISH: 10 μINCH MIN GOLD IN CONTACT AREA.
SELECTIVE MATE TIN ON PCB TAILS, NICKEL OVERALL.
 3. REFER TO MOLEX PRODUCT SPECIFICATION PS-76060-999 FOR PERFORMANCE SPECIFICATIONS AND ADDITIONAL PCB INFORMATION.
 4. THIS PART CONFORMS TO CLASS B REQUIREMENTS OF MOLEX COSMETIC SPEC PS-45499-002.
 5. PARTS PACKAGED PER PK-70873-7701.
 6. SEE SHEETS 2 & 3 FOR PART NUMBERS AND BOARD RELATIONSHIPS.
 7. MATES WITH IMPACT DC SERIES NO. 76160.
 8. REFER TO MOLEX PCB ROUTING GUIDE AS-76060-990 FOR ANTIPAD AND ROUTING RECOMMENDATIONS.
 9. "THESE DIMENSIONS REPRESENT THE AREA NEEDED TO ACCOMMODATE CONNECTOR INSERTION AND REPAIR ON THE PC BOARD. THIS IS REFERRED TO AS THE "CONNECTOR KEEP OUT ZONE" AND DOES NOT REPRESENT THE ACTUAL PERIMETER OF THE CONNECTOR. WHEN LAYING OUT A PC BOARD FOR CONNECTORS STACKED TOGETHER. USE A 1.9mm PROGRESSION."

QUALITY SYMBOLS	THIS DRAWING CONTAINS INFORMATION THAT IS PROPRIETARY TO MOLEX ELECTRONIC TECHNOLOGIES, LLC AND SHOULD NOT BE USED WITHOUT WRITTEN PERMISSION		GENERAL TOLERANCES (UNLESS SPECIFIED)		DIMENSION UNITS	SCALE	molex		
▽ = 0			ANGULAR TOL ± 0.5 °		mm	4:1			
▽ = 0	MIGRATED TO NX		4 PLACES ±		DRWN BY	DATE	PRODUCT CUSTOMER DRAWING		
▽ = 0	EC NO: 123322		3 PLACES ±		GES	2012/05/22			
▼ = 0	DRWN: NSRVATSAHS		2 PLACES ± 0.13		CHK'D BY	DATE	DOCUMENT NUMBER DOC TYPE DOC PART SHEET NUMBER SD-171294-0001 PSD 001 1 OF 3		
▽ = 0	CHKD: PRAMASWAMY		1 PLACE ± 0.25		PRAMASWAMY	2017/10/17			
⊠ = 0	REV / APPR: PRAMASWAMY		0 PLACES ±		RNELSON	2012/06/04			
■ = 0	REV / APPR: PRAMASWAMY		DRAFT WHERE APPLICABLE MUST REMAIN WITHIN DIMENSIONS						
▽ = 0	B1								

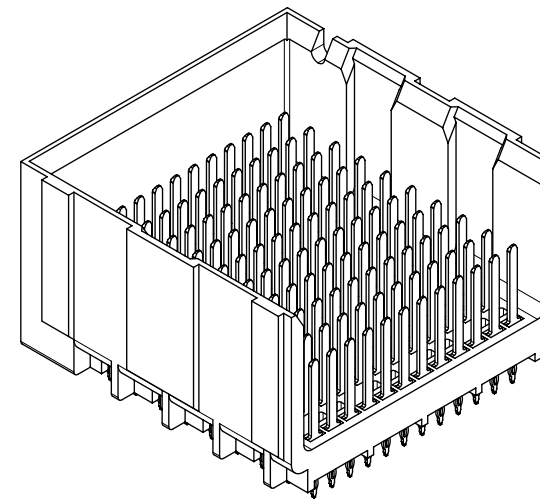
PART NUMBER CHART

MATERIAL NUMBER	# OF COLUMNS	# OF DIFF PAIR	DIM "A"	DIM "B"	DUAL END WALL OPTION
171294-132*	6	24	14.1	9.50	
171294-182*	8	32	17.9	13.30	
171294-112*	10	40	21.7	17.10	
171294-162*	16	64	33.1	28.50	



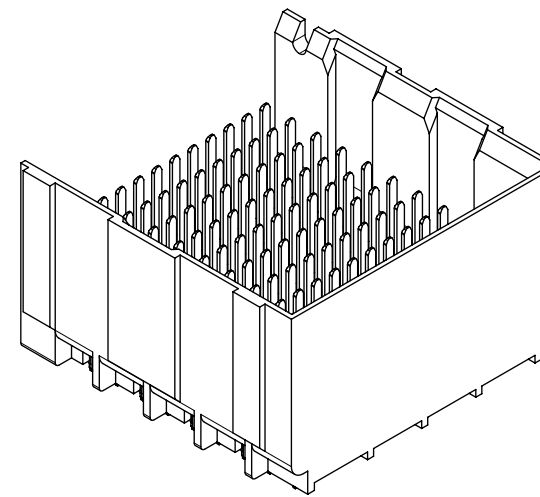
DUAL END
WALL OPTION

MATERIAL NUMBER	# OF COLUMNS	# OF DIFF PAIR	DIM "A"	DIM "B"	LEFT END WALL OPTION
171294-131*	6	24	12.7	9.50	
171294-181*	8	32	16.5	13.30	
171294-111*	10	40	20.3	17.10	
171294-161*	16	64	31.7	28.50	



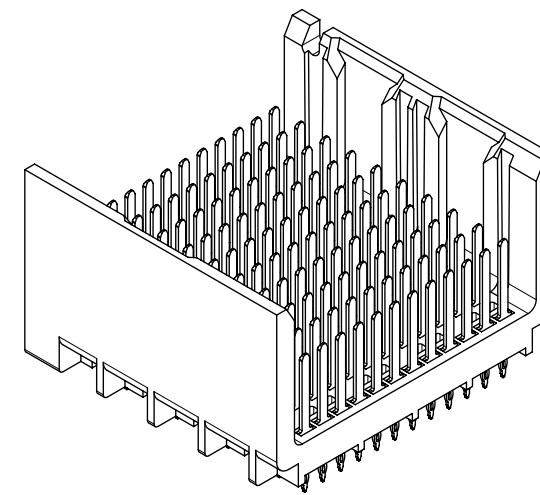
LEFT END
WALL OPTION

MATERIAL NUMBER	# OF COLUMNS	# OF DIFF PAIR	DIM "A"	DIM "B"	RIGHT END WALL OPTION
171294-133*	6	24	12.7	9.50	
171294-183*	8	32	16.5	13.30	
171294-113*	10	40	20.3	17.10	
171294-163*	16	64	31.7	28.50	



RIGHT END
WALL OPTION

MATERIAL NUMBER	# OF COLUMNS	# OF DIFF PAIR	DIM "A"	DIM "B"	OPEN WALL OPTION
171294-130*	6	24	11.3	9.50	
171294-180*	8	32	15.1	13.30	
171294-110*	10	40	18.9	17.10	
171294-160*	16	64	30.4	28.50	



OPEN
WALL OPTION

PART NUMBER LOGIC

171294- * * * *

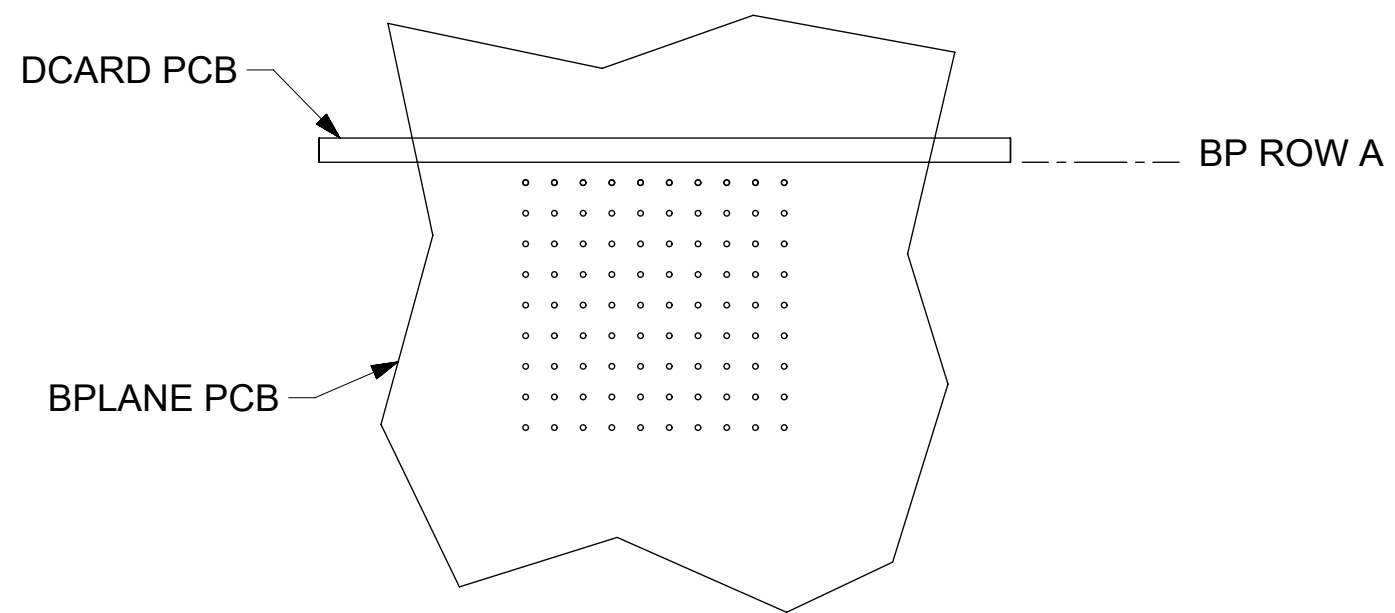
MODULE TYPE
1 = UNGUIDED, MATTE TIN

OF COLUMNS
1 = 10 COL
3 = 6 COL
6 = 16 COL
8 = 8 COL

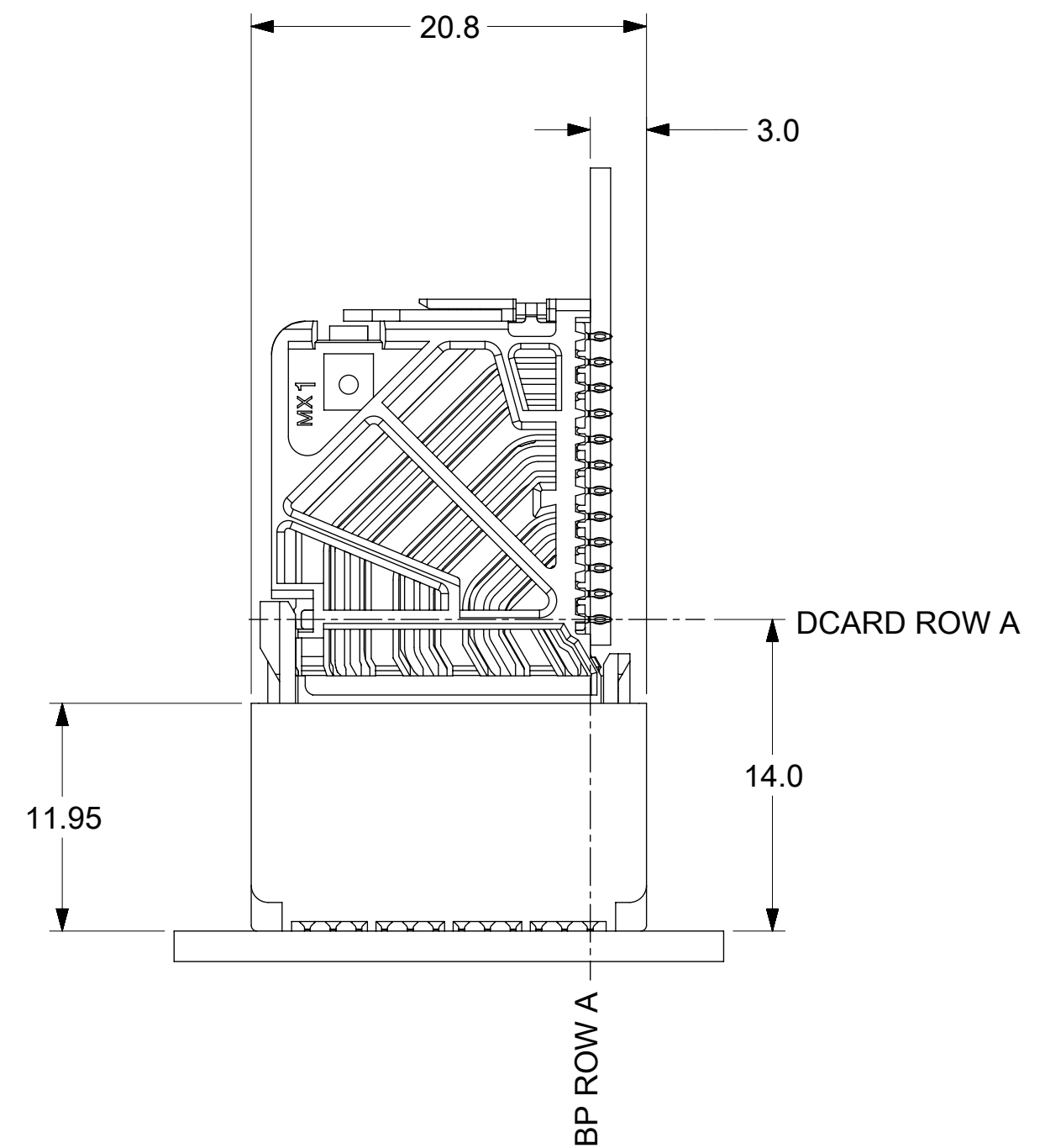
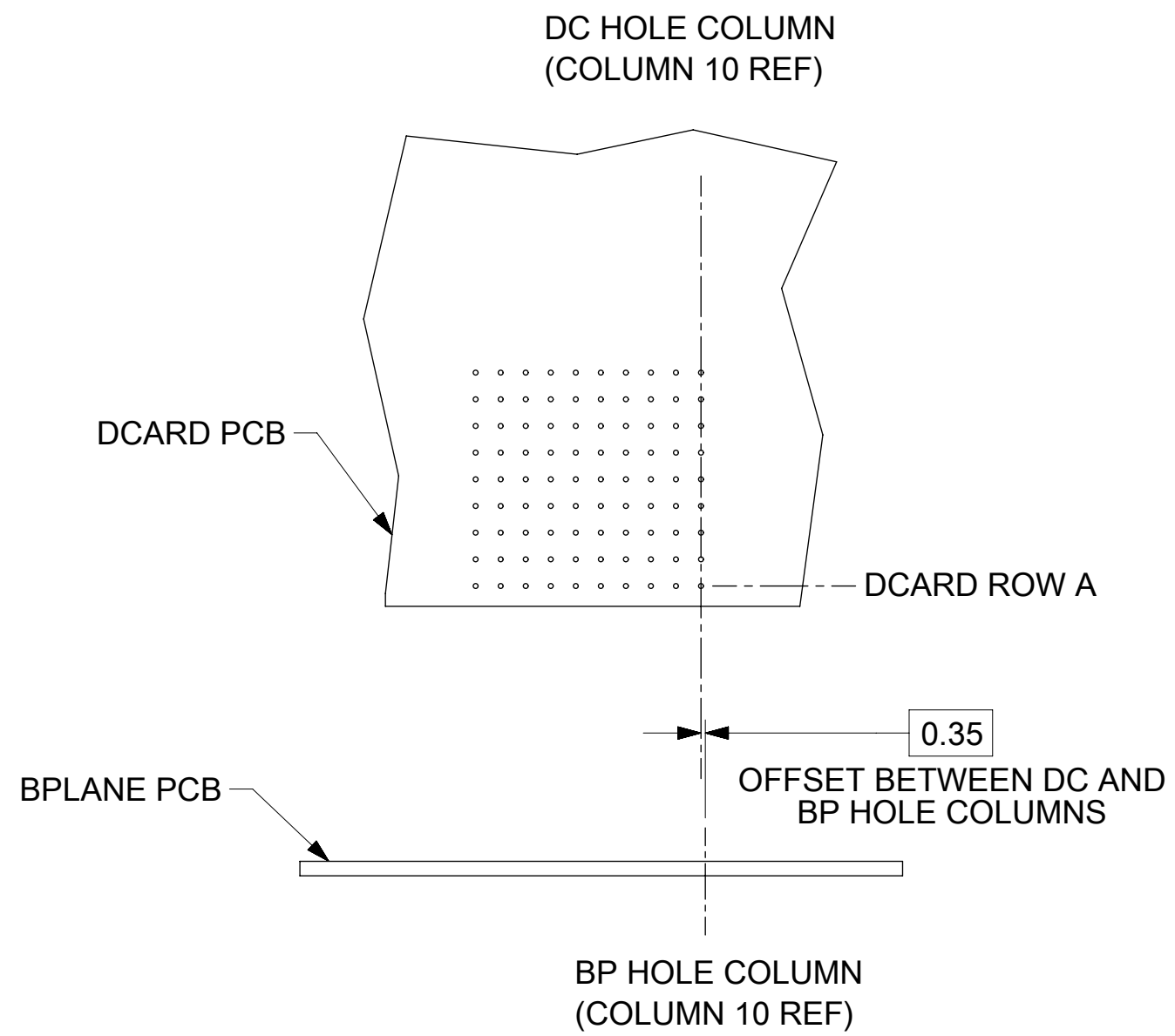
PIN LENGTH (P)
3 = 4.50 (SHORT COMPLIANT, 0.46±0.05 PTH)
4 = 4.90 (SHORT COMPLIANT, 0.46±0.05 PTH)
5 = 5.50 (SHORT COMPLIANT, 0.46±0.05 PTH)
6 = 4.50 (MICRO COMPLIANT, 0.39±0.05 PTH)
7 = 4.90 (MICRO COMPLIANT, 0.39±0.05 PTH)
8 = 5.50 (MICRO COMPLIANT, 0.39±0.05 PTH)

END WALL OPTIONS
0 = OPEN ENDS
1 = LEFT END WALL
2 = DUAL END WALL
3 = RIGHT END WALL

QUALITY SYMBOLS	THIS DRAWING CONTAINS INFORMATION THAT IS PROPRIETARY TO MOLEX ELECTRONIC TECHNOLOGIES, LLC AND SHOULD NOT BE USED WITHOUT WRITTEN PERMISSION															
▽ = 0	MIGRATED TO NX EC NO: 123322 DRWN: NSRVATSAHS CHKD: PRAMASWAMY REV / APPR: PRAMASWAMY	2017/10/06 2017/10/17 2017/10/18	GENERAL TOLERANCES (UNLESS SPECIFIED)		DIMENSION UNITS	SCALE										
▽ = 0			ANGULAR TOL ± 0.5 °		mm	2.5:1										
▽ = 0			4 PLACES ±	3 PLACES ±	2 PLACES ± 0.13	1 PLACE ± 0.25					0 PLACES ±					
▽ = 0			PRODUCT CUSTOMER DRAWING	SERIES	MATERIAL NUMBER	CUSTOMER	DRAWN BY		DATE		DATE					
▽ = 0							GES		2012/05/22		PRAMASWAMY		2017/10/17			
▽ = 0							RNELSON		2012/06/04		171294		SEE CHART		GENERAL MARKET	
▽ = 0							DRAWING SIZE		THIRD ANGLE PROJECTION		DOCUMENT NUMBER		DOC TYPE		DOC PART SHEET NUMBER	
▽ = 0			DRAFT WHERE APPLICABLE MUST REMAIN WITHIN DIMENSIONS		C		SD-171294-0001		PSD		001 2 OF 3					
▽ = 0			B1													



**IMPACT 4 PAIR
BOARD RELATIONSHIPS**



QUALITY SYMBOLS ▽ = 0 ▽ = 0 ▽ = 0 ▼ = 0 ▽ = 0 ⊠ = 0 ■ = 0 ▽ = 0	THIS DRAWING CONTAINS INFORMATION THAT IS PROPRIETARY TO MOLEX ELECTRONIC TECHNOLOGIES, LLC AND SHOULD NOT BE USED WITHOUT WRITTEN PERMISSION										
	EC NO: 123322 DRWN: NSRVATSAHS CHKD: PRAMASWAMY REV: APPR: PRAMASWAMY		2017/10/06 2017/10/17 2017/10/18		GENERAL TOLERANCES (UNLESS SPECIFIED) ANGULAR TOL ± 0.5 °		DIMENSION UNITS: mm SCALE: 3:1				IMPACT 4 PAIR BACKPLANE UNGUIDED ASSEMBLY SALES DRAWING
MIGRATED TO NX EC NO: 123322 DRWN: NSRVATSAHS CHKD: PRAMASWAMY REV: APPR: PRAMASWAMY		2017/10/06 2017/10/17 2017/10/18		4 PLACES ± 3 PLACES ± 2 PLACES ± 0.13 1 PLACE ± 0.25 0 PLACES ±		DRWN BY: GES DATE: 2012/05/22 CHKD BY: PRAMASWAMY DATE: 2017/10/17 APPR BY: RNELSON DATE: 2012/06/04		PRODUCT CUSTOMER DRAWING			
DRAFT WHERE APPLICABLE MUST REMAIN WITHIN DIMENSIONS		C		THIRD ANGLE PROJECTION		DRAWING SIZE: C		DOCUMENT NUMBER: SD-171294-0001		DOC TYPE: PSD DOC PART: 001 SHEET NUMBER: 3 OF 3	