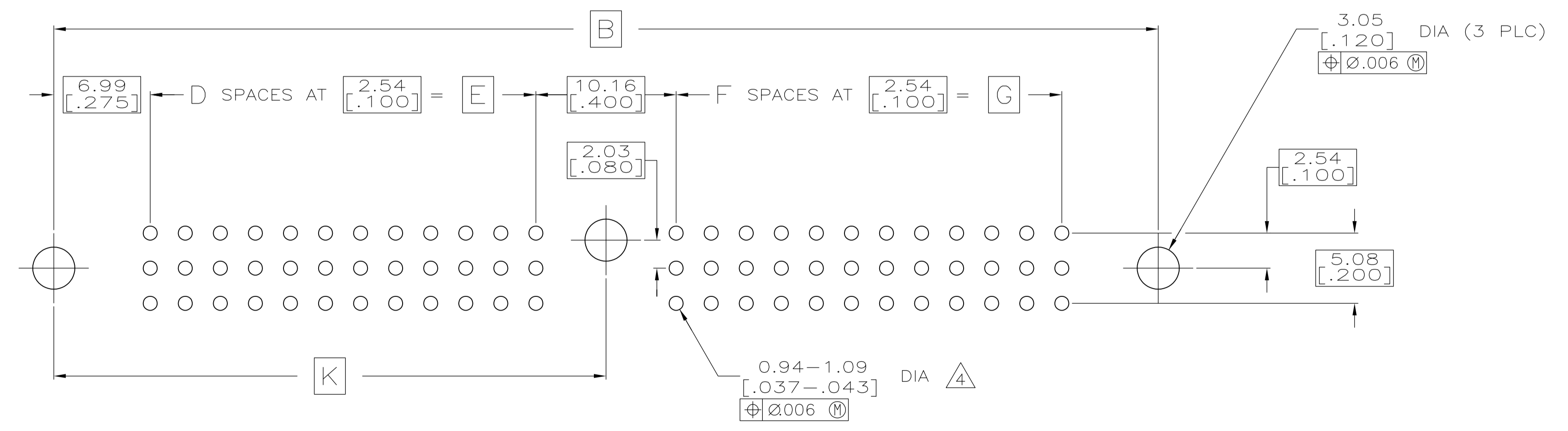
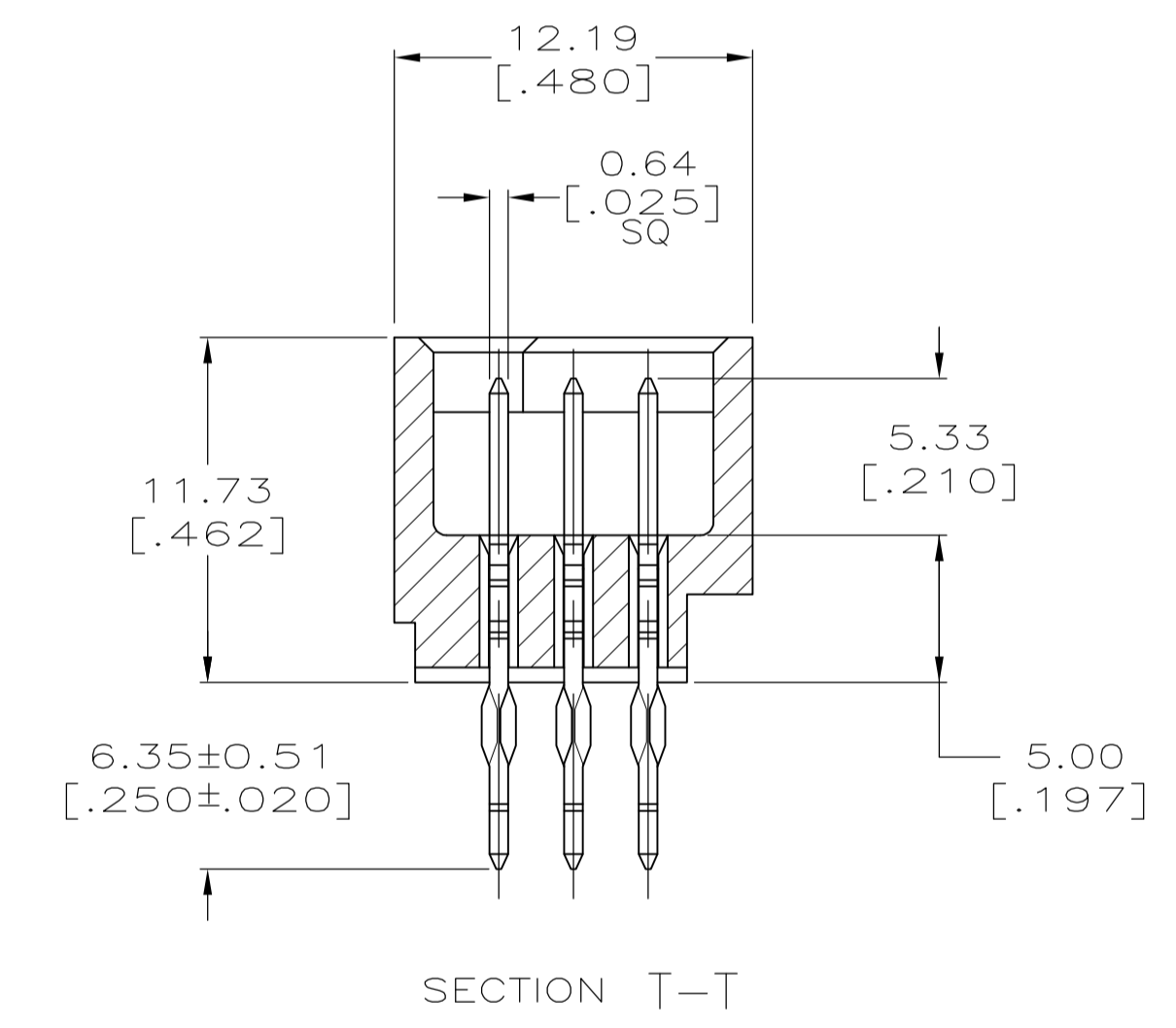
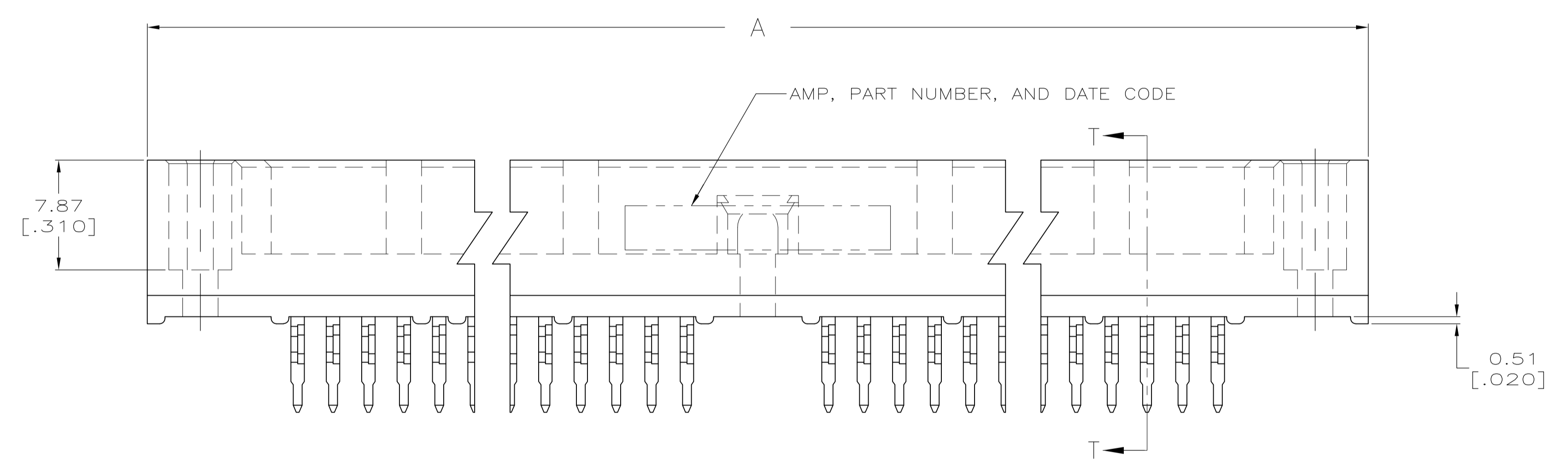
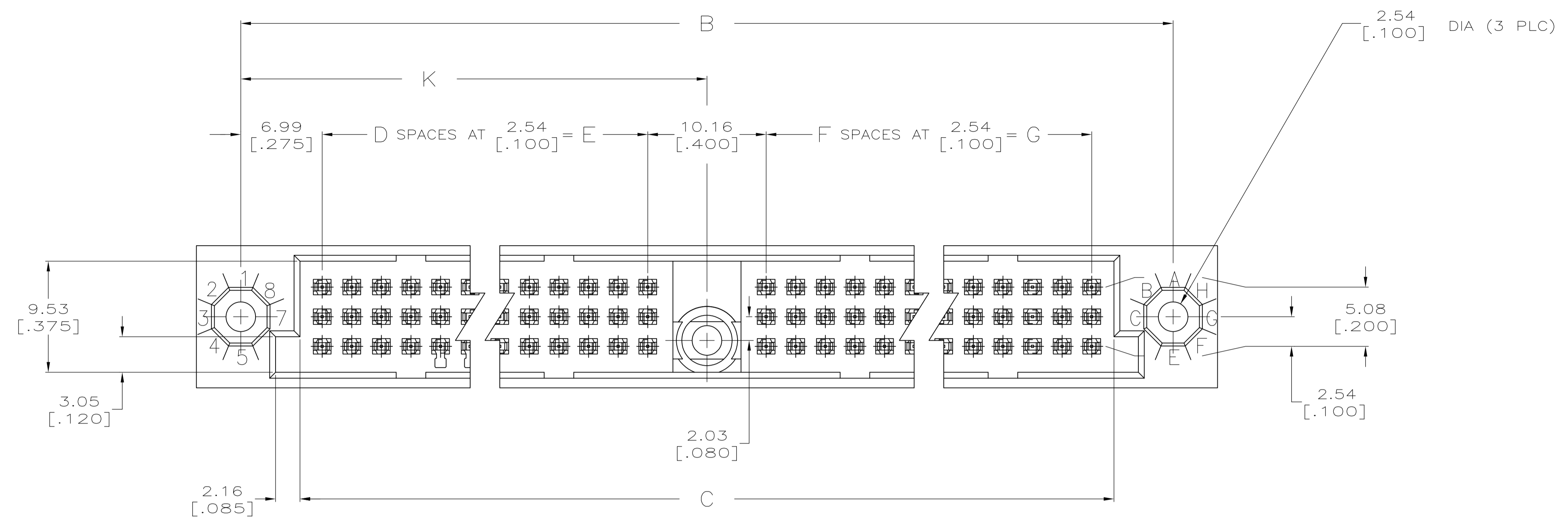


REVISIONS				
P	LTR	DESCRIPTION	DATE	APPV
K		REVISED PER ECO-15-015252	13NOV15	BJ FY



RECOMMENDED P.C. BOARD LAYOUT

THIS DRAWING IS A CONTROLLED DOCUMENT.		DIN R.K. SEIFRIED 04/11/90	TE Connectivity
DIMENSIONS: mm [INCHES]		CHK F. KIBLER 8-11-92	
TOLERANCES UNLESS OTHERWISE SPECIFIED:		APVD	NAME
0 PLC ± -			PRODUCT SPEC
1 PLC ± -			APPLICATION SPEC
2 PLC ± -			
3 PLC ± 0.13 [0.005]			
4 PLC ± -			
ANGLES ± -			
MATERIAL	FINISH	WEIGHT 0	SIZE A1
		00779	DRAWING NO. 533294
		CUSTOMER DRAWING	SCALE 4:1 SHEET 1 OF 2 REV K

REVISIONS				
P	LYR	DESCRIPTION	DATE	APPV
-		SEE SHEET 1	-	-

- ① HOUSING MATERIAL: THERMOPLASTIC, COLOR-NATURAL.
- ② CONTACT MATERIAL: PHOSPHOR BRONZE.
- ③ FINISH:
MATING AREA: MEETS THE PERFORMANCE REQUIREMENTS OF PRODUCT SPECIFICATION 108-9063; BASED ON TELCORDIA DR-1217-CORE APPLICATIONS IN UNCONTROLLED ENVIRONMENTS.
SOLDER TAILS AREA: TIN-LEAD PLATED.
- ④ ACTION PIN POSTS REQUIRE 2.36 [.093] MIN THICK P.C. BOARD. RECOMMENDED P.C. BOARD HOLES ARE 1.151 [.0453] DIA PLATED THRU WITH 0.025-0.076 [.001-.003] COPPER, WITH 0.0076 [.0003] MIN TIN-LEAD PLATING; FINISHED HOLE AFTER PLATING 0.94-1.09 [.037-043] DIA.
- ⑤ PART NUMBER IS OBSOLETE.
- ⑥ OBSOLETE PARTS: OBSOLETE CIS STREAMLINING PER D.RENAUD/D.SINISI

⑤	164.46 [6.475]	152.40 [6.000]	-60	152.40 [6.000]	-60	318.77 [12.550]	328.93 [12.950]	336.55 [13.250]	-366	533294-8
⑤	156.84 [6.175]	144.78 [5.700]	-57	144.78 [5.700]	-57	303.53 [11.950]	313.69 [12.350]	321.31 [12.650]	-348	533294-7
	149.22 [5.875]	137.16 [5.400]	54	137.16 [5.400]	54	288.29 [11.350]	298.45 [11.750]	306.07 [12.050]	330	533294-6
⑥	141.60 [5.575]	129.54 [5.100]	51	129.54 [5.100]	51	273.05 [10.750]	283.21 [11.150]	290.83 [11.450]	312	533294-5
⑤	133.98 [5.275]	121.92 [4.800]	-48	121.92 [4.800]	-48	257.81 [10.150]	267.97 [10.550]	275.59 [10.850]	-294	533294-4
⑤	126.36 [4.975]	114.30 [4.500]	-45	114.30 [4.500]	-45	242.57 [9.550]	252.73 [9.950]	260.35 [10.250]	-276	533294-3
⑤	118.74 [4.675]	106.68 [4.200]	-42	106.68 [4.200]	-42	227.33 [8.950]	237.49 [9.350]	245.11 [9.650]	-258	533294-2
	111.12 [4.375]	99.06 [3.900]	39	99.06 [3.900]	39	212.09 [8.350]	222.25 [8.750]	229.87 [9.050]	240	533294-1
	K	G	F	E	D	C	B	A	POSN	PART NUMBER

THIS DRAWING IS A CONTROLLED DOCUMENT.

DIMENSIONS: mm [NCHES]	TOLERANCES UNLESS OTHERWISE SPECIFIED: 0. PLC ± - 1. PLC ± - 2. PLC ± - 3. PLC ± 0.13 [.005] 4. PLC ± - ANGLES ± -	DIN R. K. SEIFRIED 04/11/90 CHK F. KIBLER 8-11-92 APPV -	NAME HDI, 3 ROW, PIN ASSEMBLY, ONE CENTER GUIDE PIN, 6.35[.250] LONG ACTION PINS
MATERIAL	FINISH	WEIGHT 0	SIZE A1
CUSTOMER DRAWING		SCALE 4:1	SHEET 2 OF 2

STE TE Connectivity

00779 533294