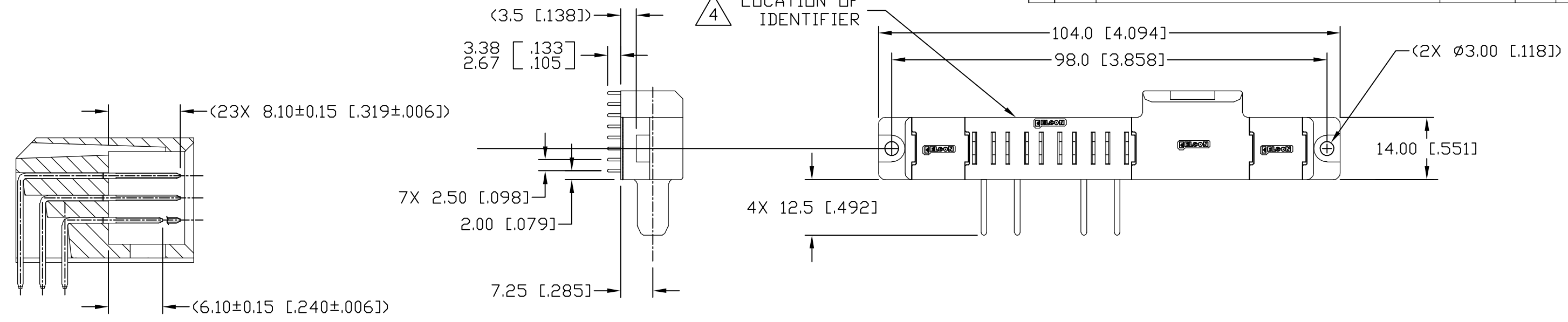
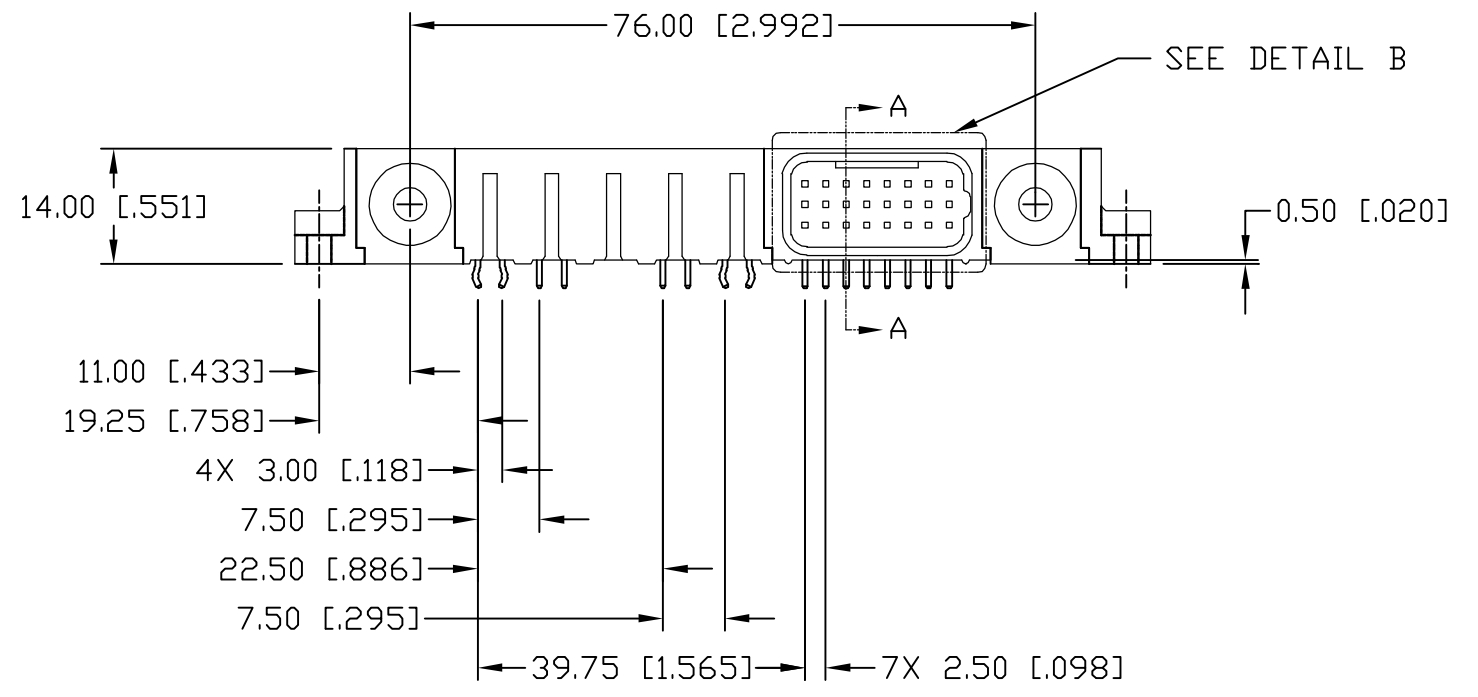


THIS DRAWING IS UNPUBLISHED. RELEASED FOR PUBLICATION
 © COPYRIGHT BY TYCO ELECTRONICS CORPORATION. ALL RIGHTS RESERVED.

LOC	DIST	REVISIONS					
GP	00	P	LTR	DESCRIPTION	DATE	DWN	APVD
			C	REV PER ECO-06-024358	25OCT06	RG	SF



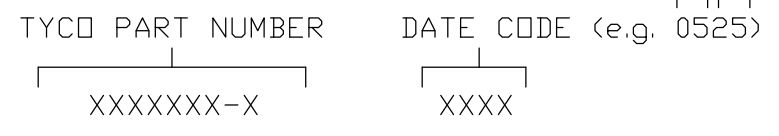
SECTION A-A
 SCALE: 2:1



NOTES: UNLESS OTHERWISE SPECIFIED.

- PART NUMBER CHANGES AND OR DESIGN CHANGES AFFECTING ITEM INTERCHANGEABILITY REQUIRE PRIOR TYCO APPROVAL AND AUTHORIZATION BY REVISION TO THIS DRAWING.
- MATERIALS:
 INSULATORS: THERMOPLASTIC, GLASS REINFORCED, COLOR BLACK. UL94V-0 FLAMMABILITY RATED.
 SOLDER SIGNAL PIN: BRASS ALLOY.
 POWER CONTACTS: PHOSPHOR-BRONZE ALLOY. COPPER ALLOY.
 CROWN BANDS: BERYLLIUM-COPPER ALLOY.
- FINISHES:
 CONTACTS: GOLD PLATED .00076 [.000030] MIN THICK OVER NICKEL .00130 [.000050] MIN THICK.
 SOLDER TAILS: TIN PLATED MATT FINISH MIN. .0030 [.000120] THICKNESS.

△ ITEMS PROVIDED TO THIS SPECIFICATION TO BE PERMANENTLY IDENTIFIED PER THE FOLLOWING IDENTIFIER:
 YEAR WEEK



△ NON STANDARD 24 SIGNAL PIN CONTACT.

AS SHOWN	6651330-2
DESCRIPTION	PART NUMBER

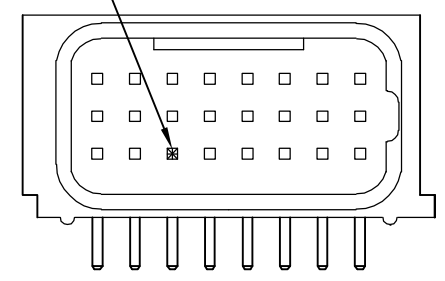
THIS DRAWING IS A CONTROLLED DOCUMENT.		DWN	06/20/05	Tyco Electronics Corporation Harrisburg, PA 17105-3608		
DIMENSIONS: mm [INCHES]		CHK	M.ALIM			NAME
TOLERANCES UNLESS OTHERWISE SPECIFIED:		APVD	D.CHAU			PRODUCT SPEC
0 PLC ± - 1 PLC ± 0.3 [.012] 2 PLC ± 0.15 [.006] 3 PLC ± - 4 PLC ± - ANGLES ± 5°		APPLICATION SPEC				SIZE
MATERIAL		WEIGHT		CAGE CODE	DRAWING NO	RESTRICTED TO
SEE LIST OF MATERIALS		-		A300779	C-6651330	-
CUSTOMER DRAWING				SCALE	SHEET	REV
				1:1	1 OF 3	C

ELCON FLATPAQ

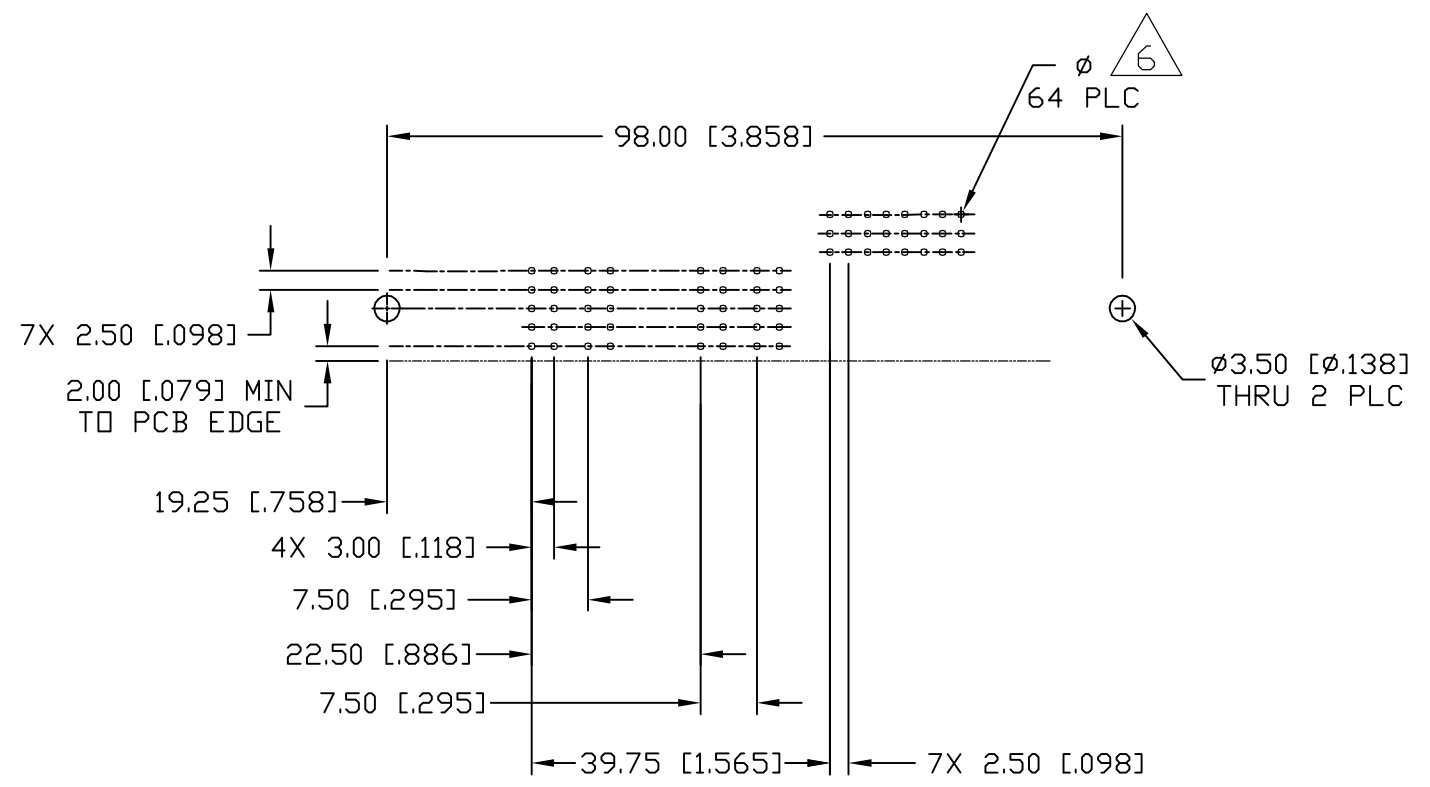
THIS DRAWING IS UNPUBLISHED. RELEASED FOR PUBLICATION
 © COPYRIGHT BY TYCO ELECTRONICS CORPORATION. ALL RIGHTS RESERVED.

LOC	DIST	REVISIONS					
GP	00	P	LTR	DESCRIPTION	DATE	DWN	APVD
		-		SEE SHEET 1	-	-	-

STANDARD PIN
 POSN 3



KEY:
 □ STANDARD PIN
 □ PREMATE PIN (23 PLACES)
 DETAIL B
 SCALE 2:1



PRINTED CIRCUIT LAYOUT

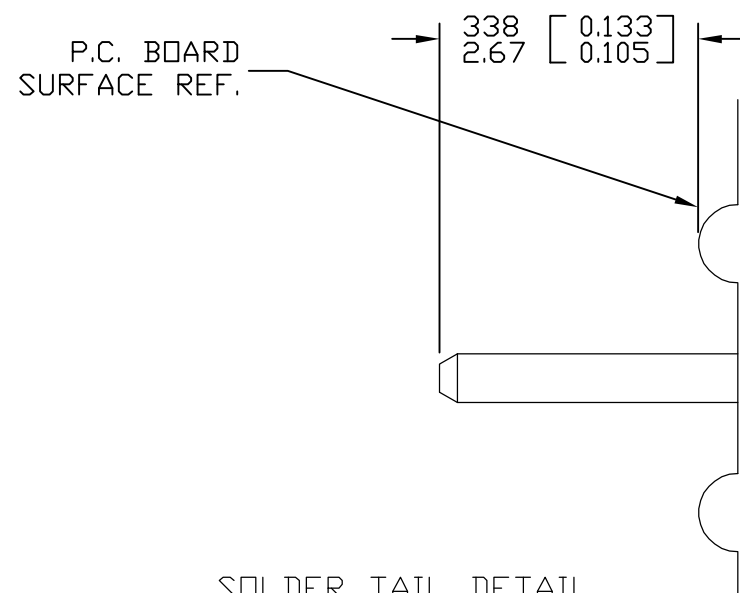
CONNECTOR	CATALOG MODULE #	QTY	SIZE NO.	CONTACT QTY	MATING PIN	MAX. CURRENT (PER CONTACT)	CONTACT SPACING	VOLTAGE RATING*
PIN	FP151	4	8	4	1.25 X 7.00 [0.049 X .276]	35 AMPERES	7.50 [0.2953]	250 VOLTS
	FP512	1	N/A	N/A	N/A	N/A	N/A	250 VOLTS
	FP302	1	22	24	.64 [0.025] SQ.	3 AMPERES	2.50 [0.0984]	125 VOLTS
	FP0500	1	LEFT MOUNTING FLANGE					
	FP0501	1	RIGHT MOUNTING FLANGE					

THIS DRAWING IS A CONTROLLED DOCUMENT.		DWN	06/20/05	 Tyco Electronics Corporation Harrisburg, PA 17105-3608
DIMENSIONS: mm [INCHES]		CHK	M.ALIM	
TOLERANCES UNLESS OTHERWISE SPECIFIED:		APVD	D.CHAU	
0 PLC ± - 1 PLC ± 0.3 [.012] 2 PLC ± 0.15 [.006] 3 PLC ± - 4 PLC ± - ANGLES ± 5°		PRODUCT SPEC	-	
MATERIAL		FINISH		NAME
SEE LIST OF MATERIALS		-		PIN CONNECTOR, RT ANGLE, SLDR SHORT TAIL 1 PIECE BLADE, FLATPAQ
		WEIGHT	-	SIZE
		CUSTOMER DRAWING		A3
		SCALE 1:1		CAGE CODE
		SHEET 2 OF 3		00779
		REV C		DRAWING NO
		RESTRICTED TO		-
		-		©=6651330

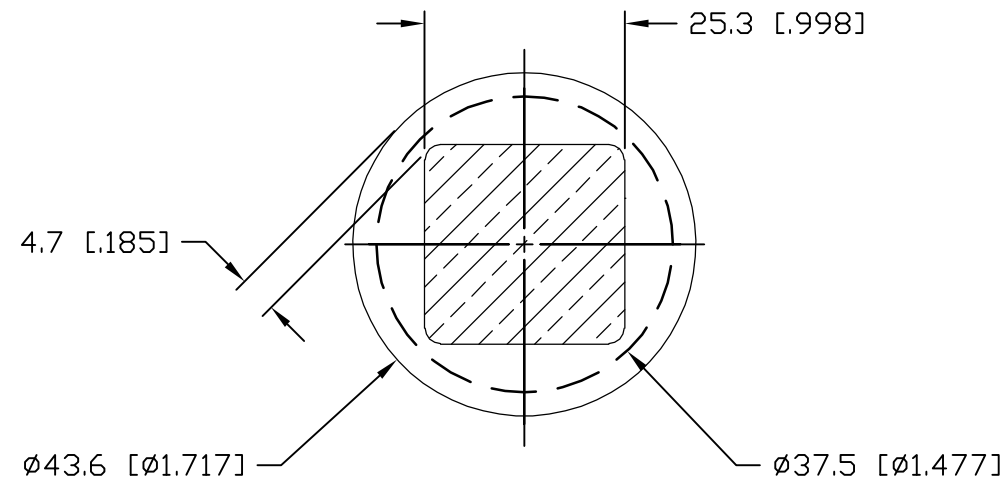
ELCON FLATPAQ

THIS DRAWING IS UNPUBLISHED. RELEASED FOR PUBLICATION - , - .
 © COPYRIGHT - BY TYCO ELECTRONICS CORPORATION. ALL RIGHTS RESERVED.

LOC	DIST	REVISIONS					
GP	00	P	LTR	DESCRIPTION	DATE	DWN	APVD
		-		SEE SHEET 1	-	-	-



SOLDER TAIL DETAIL
SCALE: 10 : 1



△ 6 SOLDER TERMINATION AREA

SCALE: 40 : 1
 RECOMMENDED PRINTED CIRCUIT HOLE
 SOLDER OR COMPLIANT PRESS FIT
 FINISHED HOLE: ∅1.02 [0.040] ±0.08 [0.003]
 DRILLED HOLE: ∅1.15 [0.0453] ±0.13 [0.0005]
 COPPER PLATE: .025 [0.0010] MINIMUM (PER SURFACE)
 TIN PLATE: .008 [0.0003] MINIMUM (PER SURFACE)

THIS DRAWING IS A CONTROLLED DOCUMENT.		DWN HA NGUYEN 06/20/05	Tyco Electronics Corporation Harrisburg, PA 17105-3608	
DIMENSIONS: mm [INCHES]		CHK M.ALIM		
		TOLERANCES UNLESS OTHERWISE SPECIFIED:		NAME PIN CONNECTOR, RT ANGLE, SLDR SHORT TAIL 1 PIECE BLADE, FLATPAQ
		0 PLC ± - 1 PLC ± 0.3 [0.012] 2 PLC ± 0.15 [0.006] 3 PLC ± - 4 PLC ± - ANGLES ± 5°		PRODUCT SPEC -
MATERIAL SEE LIST OF MATERIALS		FINISH -	APPLICATION SPEC -	RESTRICTED TO -
		WEIGHT -	SIZE A3	CAGE CODE 00779
		CUSTOMER DRAWING	DRAWING NO C-6651330	SCALE 1:1
			SHEET 3 of 3	REV C

ELCON FLATPAQ