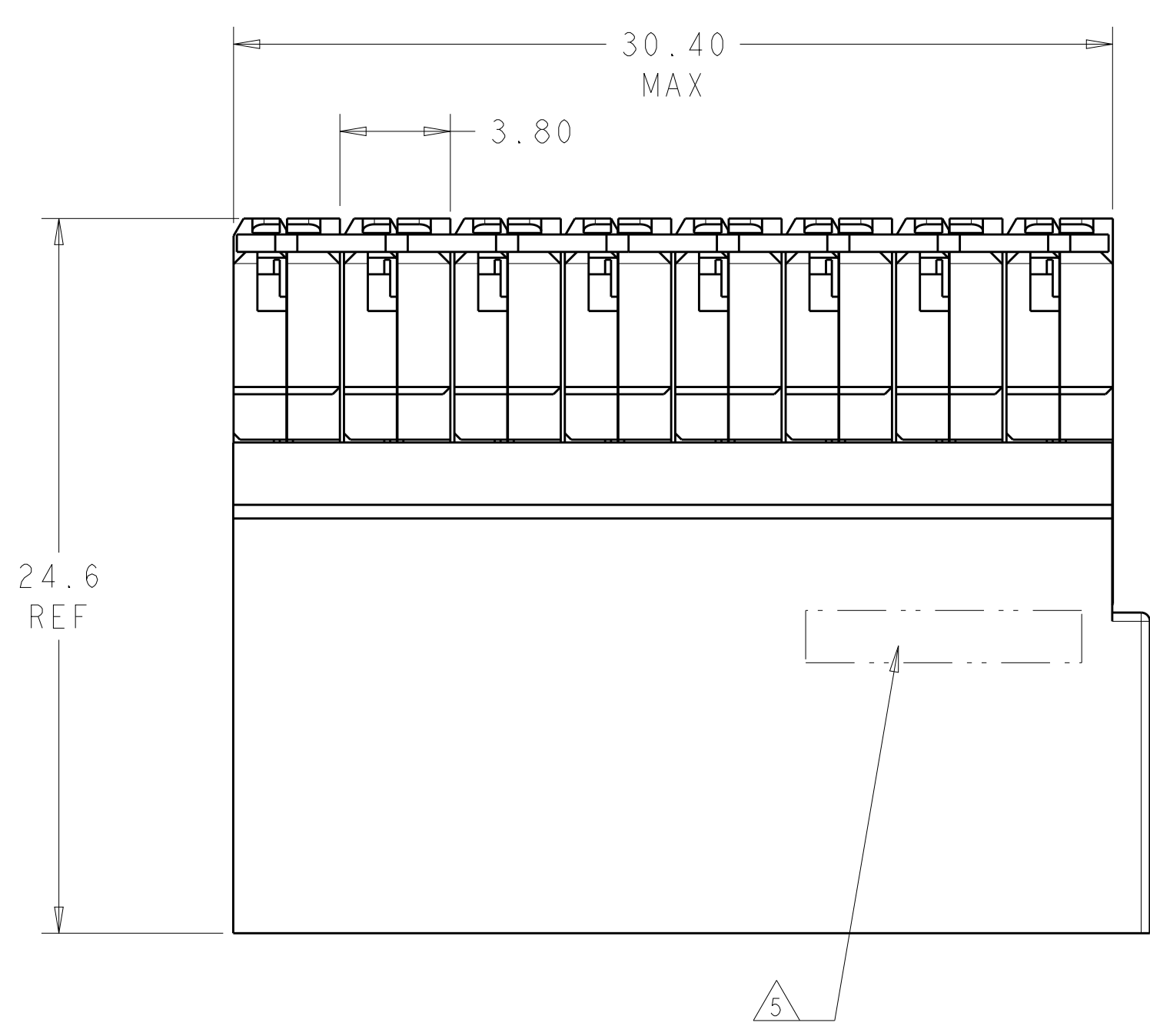
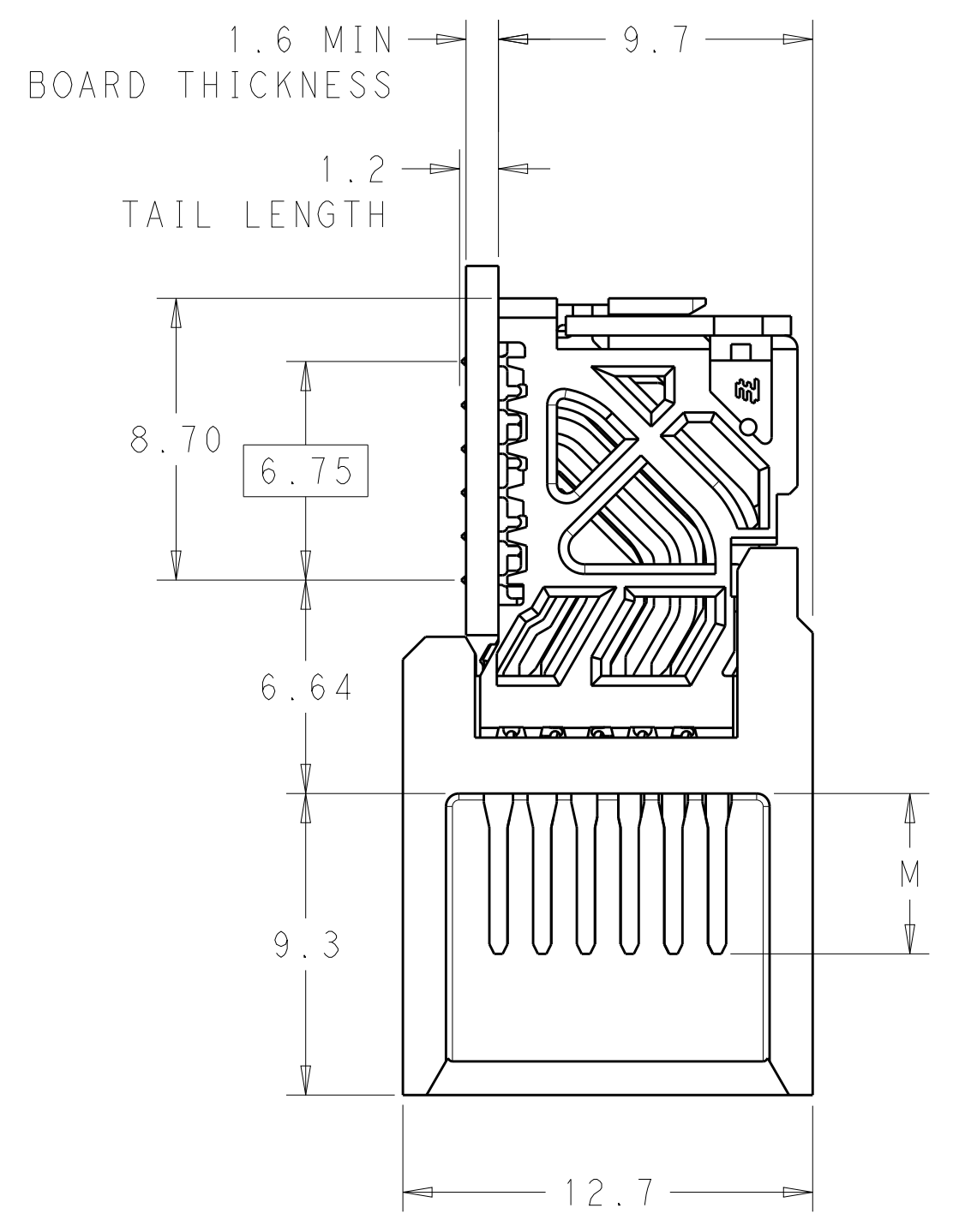
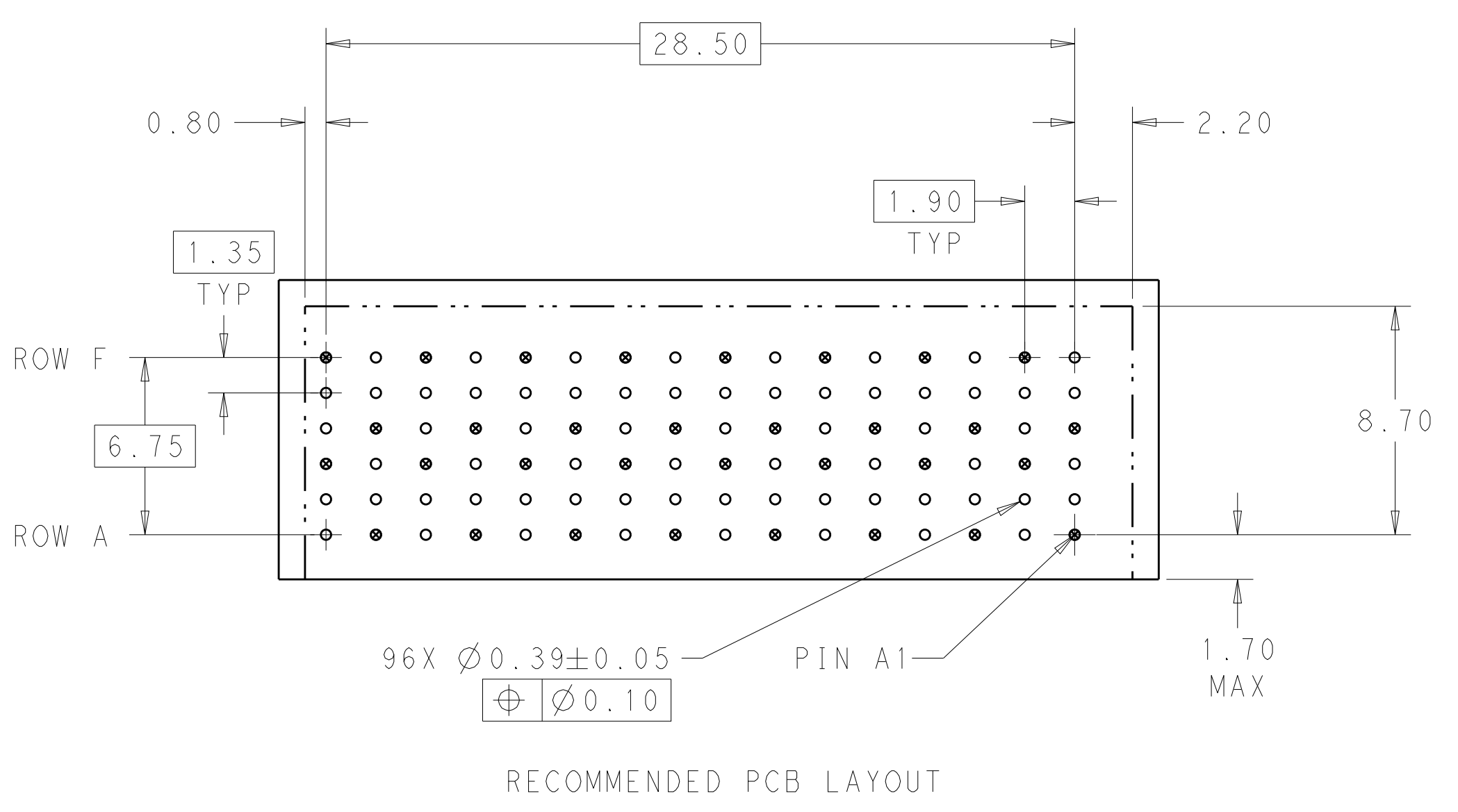
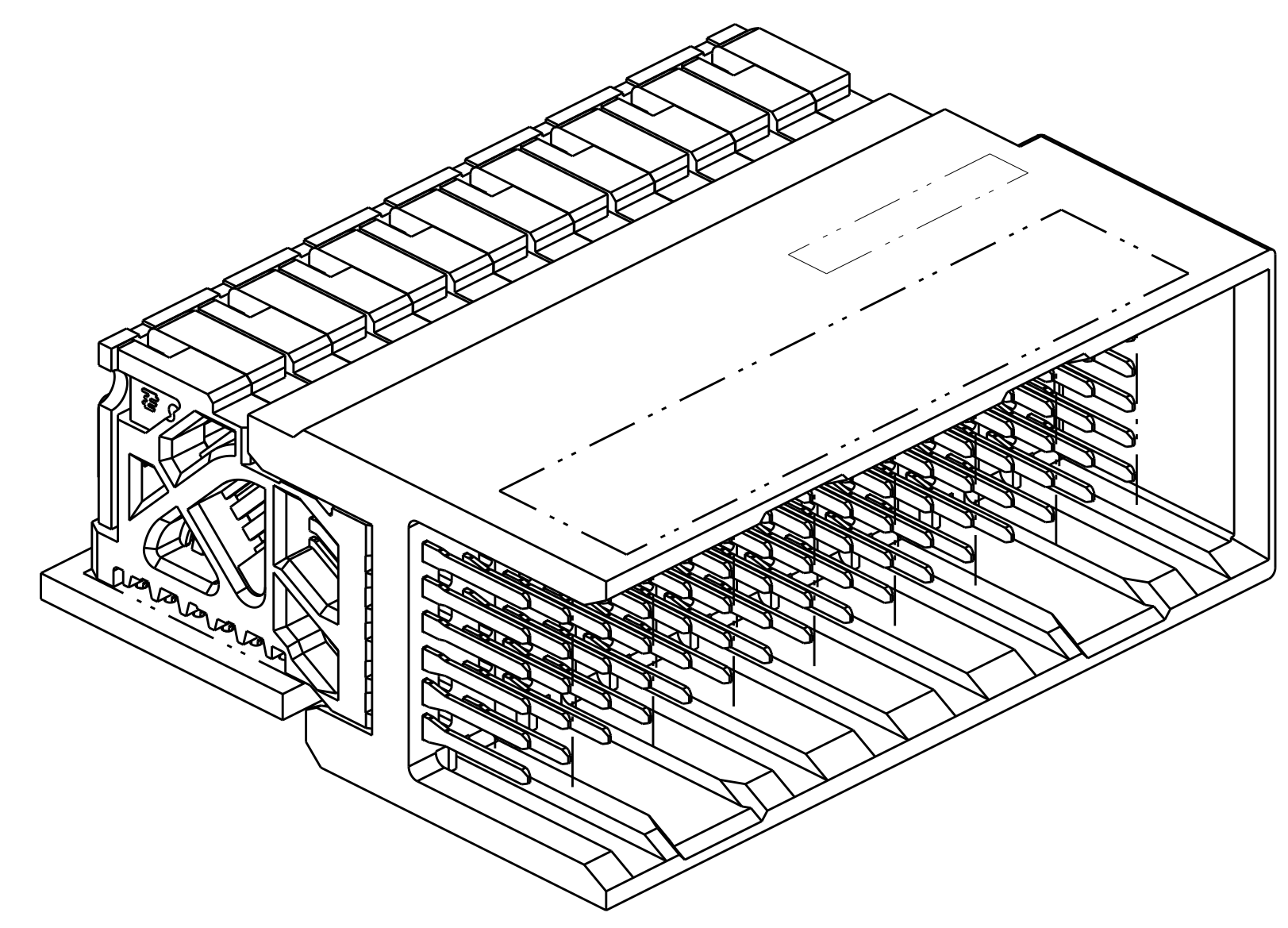
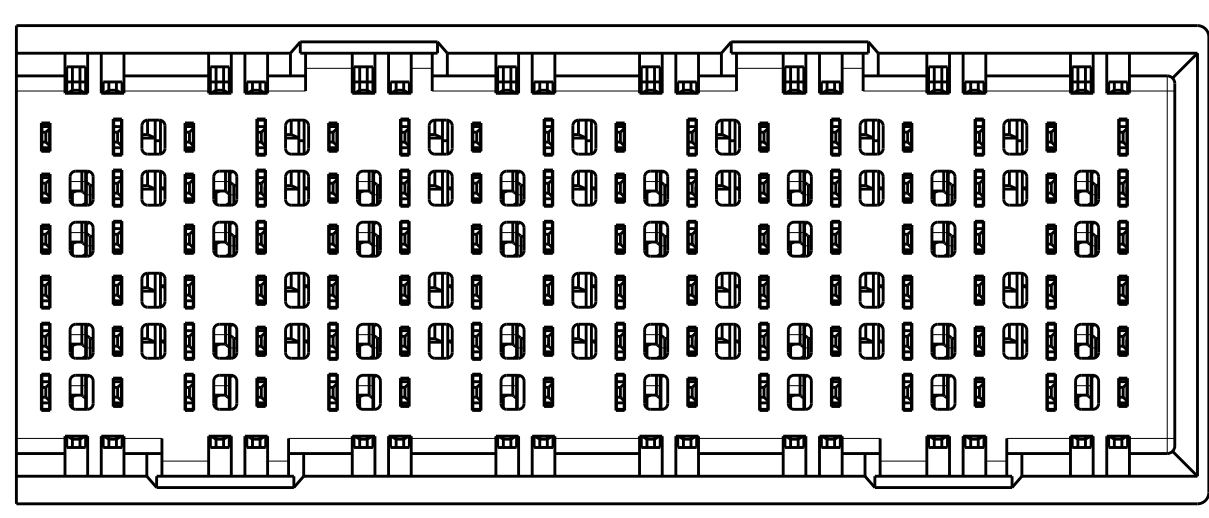


LOC		DIST		REVISIONS			
AD	00	P	LTN	DESCRIPTION	DATE	DWN	APVD
		C		REVISED PER ECO-14-005775	21APR2014	AP	DD

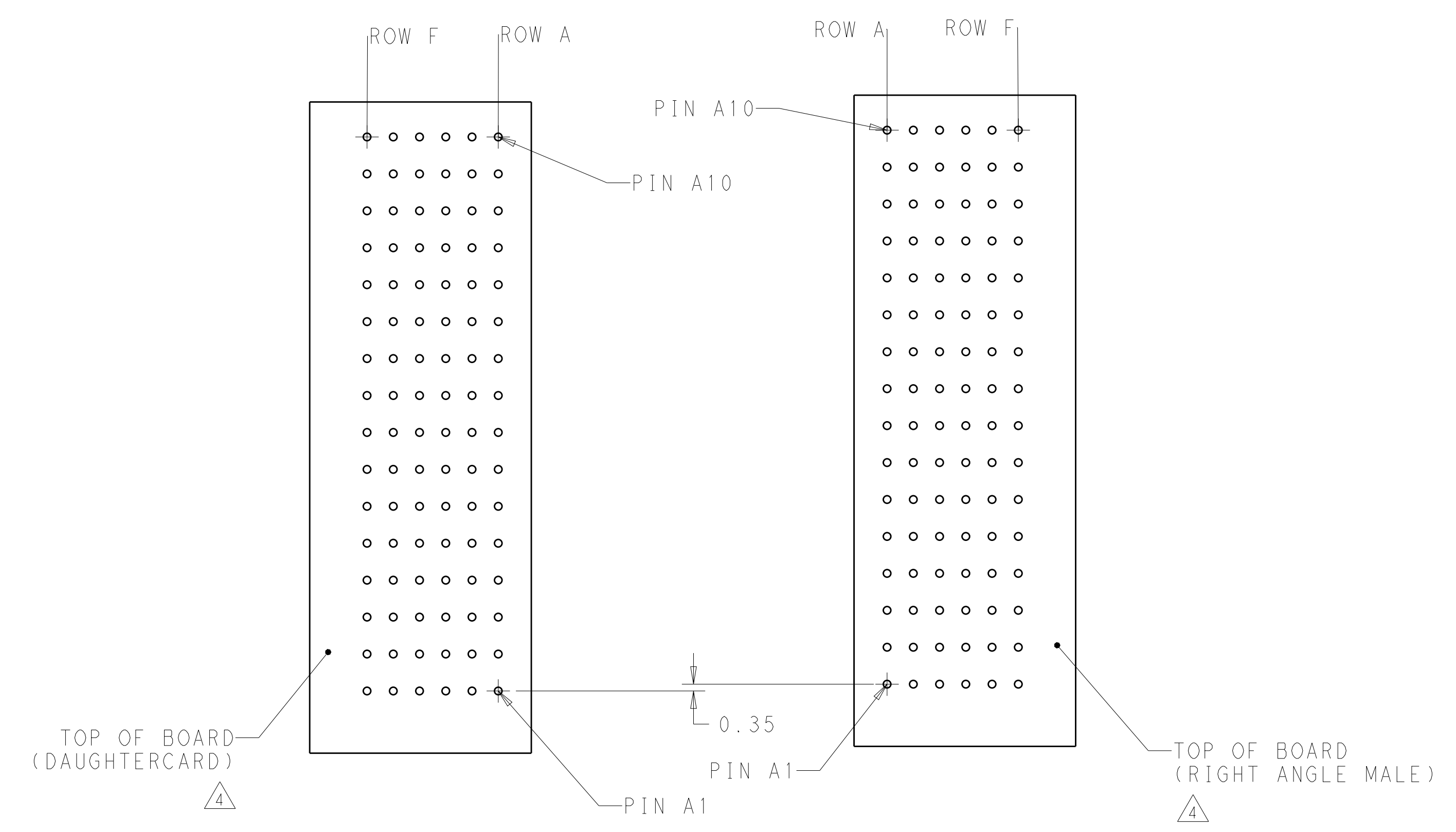


- 1 MATERIAL:
 HOUSING: LCP, GLASS FILLED, UL94V-0.
 TERMINALS: HIGH PERFORMANCE COPPER ALLOY.
- 2 FINISH:
 30µm SELECTIVE GOLD IN CONTACT AREA. SELECTIVE TIN ON PCB TAILS, NICKEL OVERALL.
- 3 FINISH:
 30µm SELECTIVE GOLD IN CONTACT AREA. SELECTIVE TIN-LEAD ON PCB TAILS, NICKEL OVERALL.
- 4 UNGUIDED RIGHT ANGLE MALE MATES TO UNGUIDED RIGHT ANGLE RECEPTACLE.
- 5 TE LOGO LOCATED IN APPROXIMATE LOCATION.

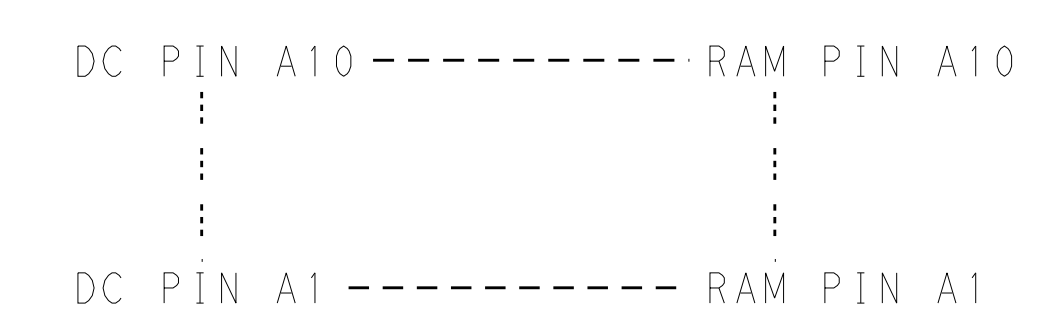


THIS DRAWING IS A CONTROLLED DOCUMENT.		DWN 06APR2011	STE TE Connectivity
DIMENSIONS: mm		CHK J. EARY 06APR2011	
TOLERANCES UNLESS OTHERWISE SPECIFIED:		APVD J. EARY 06APR2011	NAME IMPACT, STD. RAM, 2 PAIR, 16 COLUMN, UNGUIDED RIGHT END WALL SIGNAL MODULE, 0.3 EYELET
0 PLC ±		PRODUCT SPEC	SIZE CAGE CODE DRAWING NO RESTRICTED TO
1 PLC ±0.25		APPLICATION SPEC	A100779C=2143312
2 PLC ±0.13		WEIGHT	SCALE 5:1 SHEET 1 OF 2 REV C
3 PLC ±		CUSTOMER DRAWING	
4 PLC ±			
ANGLES ±			
FINISH SEE TABLE			

LOC		DIST		REVISIONS			
P	LTN	DESCRIPTION	DATE	DWN	APVD		
-	-	SEE SHEET 1	-	-	-	-	-



COPLANAR MATED SIGNAL PATHS



FINISH	DIM M	PART NUMBER
△3	5.50	2143312-6
△3	4.90	2143312-5
△2	5.50	2143312-3
△2	4.90	2143312-2

REFER TO WWW.TE.COM FOR PRODUCT AVAILABILITY

THIS DRAWING IS A CONTROLLED DOCUMENT.		DWN 06APR2011	TE Connectivity
DIMENSIONS: mm		CHK J. EABY 06APR2011	
TOLERANCES UNLESS OTHERWISE SPECIFIED:		APVD J. EABY 06APR2011	
0 PLC ± 1 PLC ±0.25 2 PLC ±0.13 3 PLC ± 4 PLC ± ANGLES ±		NAME: IMPACT, STD. RAM, 2 PAIR, 16 COLUMN, UNGUIDED RIGHT END WALL SIGNAL MODULE, 0.3 EYELET	
MATERIAL	FINISH SEE TABLE	WEIGHT	SIZE CAGE CODE DRAWING NO. RESTRICTED TO
CUSTOMER DRAWING		A100779C=2143312	SCALE 5:1 SHEET 2 OF 2 REV C