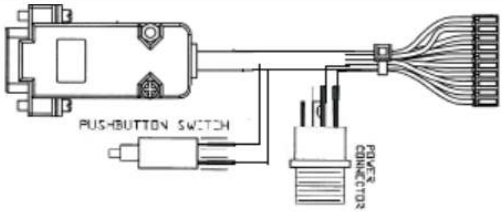



ASC0409DC	6 feet	Diagnostics Port and Programming. 3-Pin to DB-9 enclosed Wireless Data Transceiver Connector to DB9 of enclosed serial radio	FGR2, FGR3 GX, LRS
------------------	--------	---	--------------------------

EMD1280 AX	EMD1280UX	Input: 100-240 VAC, 50/60 HZ Output: 12.0 VDC, 800 mA 2-pin Phoenix Connector (HTPlus-type Connector)	Z9-P2 Z9-PE2 FGR2-PE FGR2-CE FGR3-CE GX-CE HT-CE HTP-900 LRS-455-CE	
-------------------	-----------	---	---	--

ASC3610DJ	3 foot	Data Interface cable, 10-in board Level Connector to DB-9, Plus a power jack (2mm Barrel power connector), and setup Switch. RS-232 only (Rainbow Cable + Power + setup Switch)	FGR10, FGR2-C, FGR3-C, GX-C, LRS-C	
------------------	--------	---	--	---

ECN3102MF	Adapter, N-Type Male to SMA Female , Gold contact pin	Part of EAN0900NR	
------------------	---	--------------------------	---

MHS-WMS

Shoe for new enclosure,
for the gannet.

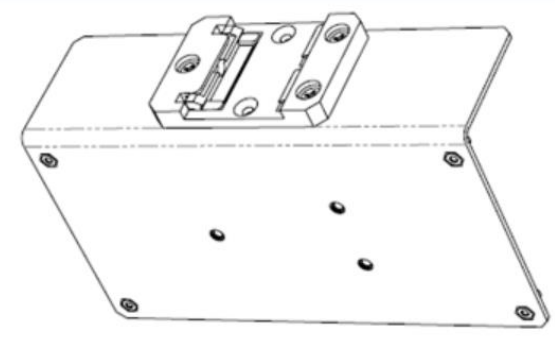
FGR2-CE,
FGR2-PE,
FGR3-CE,
HT-PE,
GX-CE,
FGR2-IOS-CE



AOH0001HT

DIN Rail Bracket Kit
(Includes **MIL0001HT**)

FGR2-P,
HT-P,
Z9-P,
Z9-P2,
ZIQ-P



**MBRK-DIN-N
AOB7001AA**

DIN Rail Mount Bracket
Assembly for the gannet.
(Includes **ASM7002DR**)

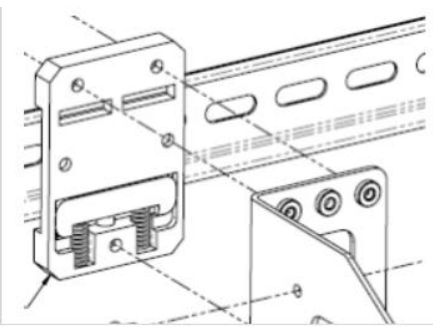
FGR2-CE,
FGR2-PE,
FGR3-CE,
HT-PE,
GX-CE,
FGR2-IOS-CE




AOH4003SP


DIN Rail bracket kit,
reversible ZumLink Z9-
PE/Z9-PE2

Z9-PE,
Z9-PE2



ECN1234TN	Adapter, TNC Male to N-Type Female	Enclosed (FGR2, FGR3, ZumLink, I2, GX)	
------------------	---	--	---

EAN0900SR	900 MHz, Whip Stub, Half Wave, 2 dBi , Right Angle-360 degree swivel, with Straight SMA Male RF connector. (Larsen SPDA24918, Mobile Mark PSKN3-925S) Weight 0.06 lbs (26 grams)	
------------------	--	--

EAN0906WB	902 - 928 MHz, 6 dBi , 65" Omni directional fiberglass antenna with heavy duty mounting bracket and N-Type Female RF Connector. Does not include cable. (Laird/ANTENEX)	
------------------	--	--

EAN2405WC	2.4-2.5 GHz, 5 dBi , omni-directional. Does not include mounting hardware or cable. (Maxrad BMAXC24505) Weight 0.16 lbs (0.073 kg)	GX, GXM, I2	
------------------	---	-------------	--