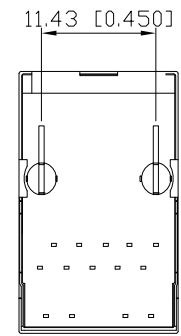
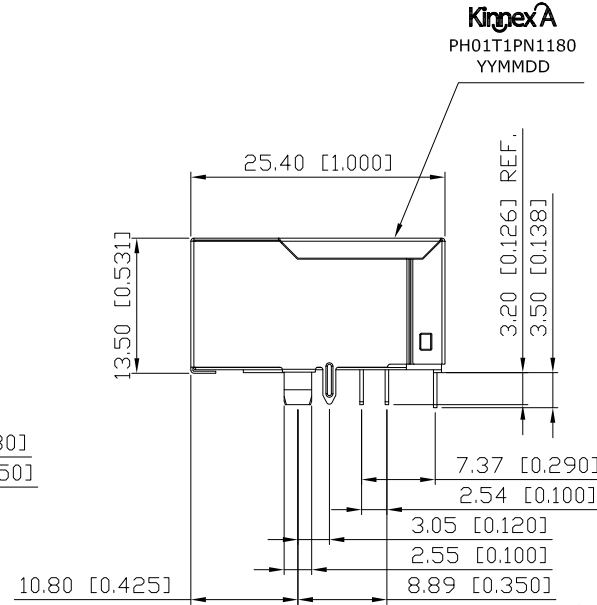
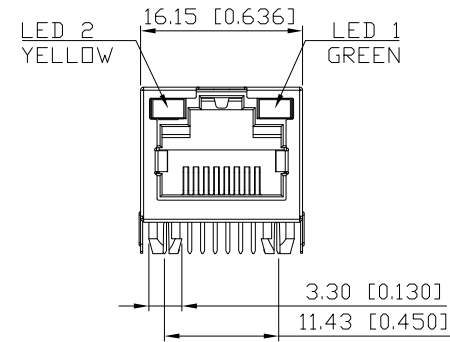
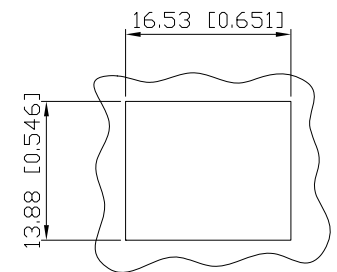
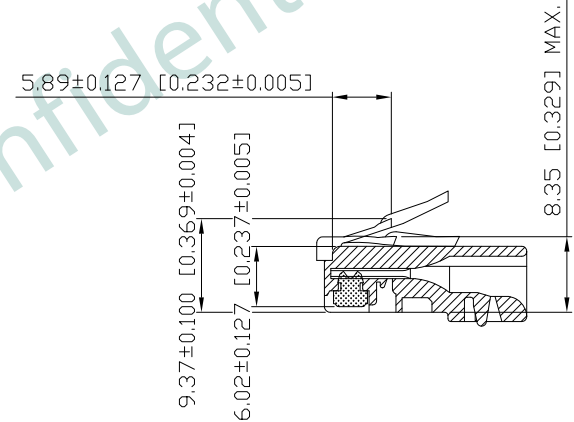


1. MECHANICAL DIMENSIONS :

| REV. | DATE         | DESCRIPTION |
|------|--------------|-------------|
| 01   | Jan. 15, '18 | 1st RELEASE |
|      |              |             |
|      |              |             |



RECOMMENDED PLUG DIMENSION:



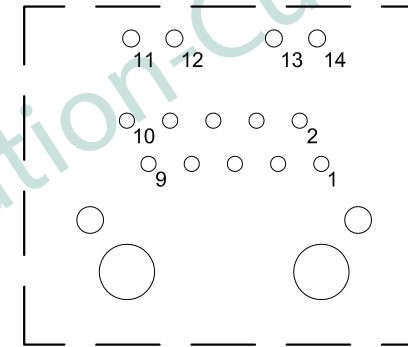
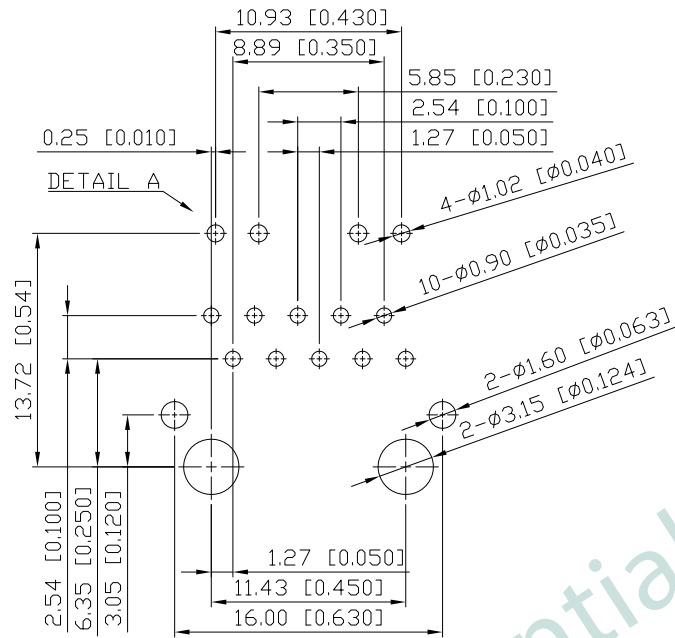
RECOMMENDED PANEL CUTOUT DIMENSION

- NOTES:
- MATERIAL:  
HOUSING: HIGH THERMOPLASTIC, UL94V-0, BLACK  
CONTACTS: T=0.35mm PHOS-BRONZE,  
6u" GOLD PLATING ON CONTACT AREA,  
NICKEL UNDERPLATING NICKEL ON OVERALL  
SHIELD: T=0.20mm COPPER ALLOY, NICKEL PLATING
  - OPERATING TEMPERATURE: -40°C~+85°C
  - INSERTION FORCE: 4 POUNDS MAX.  
EXTRACTION FORCE: 4 POUNDS MAX.
  - DURABILITY: 750 MATING CYCLED MIN.
  - CAVITY CONFORMS TO FCC RULES AND REGULATIONS PART 68, SUBPART F.
  - UNSPECIFIED TOLERANCE: .XX ±0.25[0.010]  
.X ±0.30[0.012]

|                           |  |        |              |        |
|---------------------------|--|--------|--------------|--------|
| PART NO KPH-01T-1-PN1-180 |  |        |              |        |
| TITLE                     | RJ45, W/ 10/100 TRANSFORMER AND PoE, W/LED, SHIELDED |        |              |        |
| REV : 01                  |  |        |              |        |
| UNIT                      | DRAWN  | CHKD   | DATE         | SHEET  |
| mm[inch]                  | CINDY  | DANIEL | Jan. 15, '18 | 1 of 5 |

ROHS Compliant

2. PCB LAYOUT :



DETAIL A

SUGGESTED PCB LAYOUT  
(TOP VIEW) SCALE 2:1  
DIMENSIONAL TOLERANCE: .XX ±0.08[0.003]

KPH-01T-1-PN1-180

PRODUCT SERIES  
KPH: LATCH UP AND PoE

MECHANICAL TYPE  
01T: KPH 1 PORT, LENGTH=25.4mm,  
STAGGERED PINS  
LED COLOR OPTION

CIRCUIT TYPE

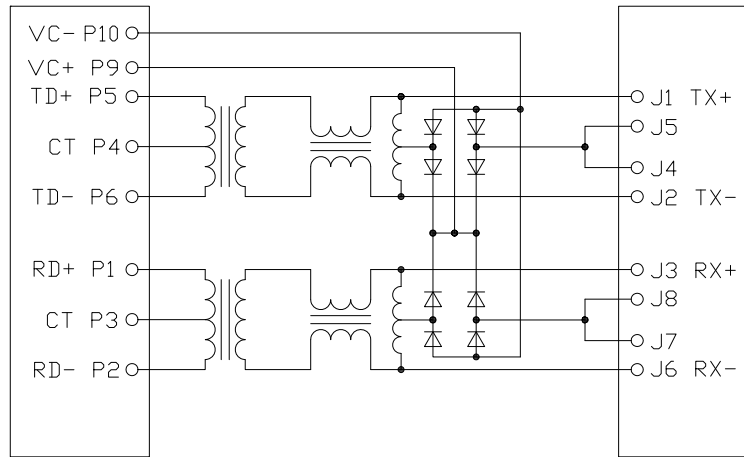
SPECIAL CODE  
0: STANDARD

SHIELDED TYPE  
8: NON-EMI FINGER

LED POLARITY  
1: +-, +-  
2: +, +

|          |  |                   |              |        |
|----------|--|-------------------|--------------|--------|
| PART NO  |  | KPH-01T-1-PN1-180 |              |        |
| TITLE    | RJ45, W/ 10/100 TRANSFORMER AND PoE, W/LED, SHIELDED |                   |              |        |
| REV : 01 |  |                   |              |        |
| UNIT     | DRAWN  | CHKD              | DATE         | SHEET  |
| mm[inch] | CINDY  | DANIEL            | Jan. 15, '18 | 2 of 5 |

3. SCHEMATIC :



| COLOR  | VF(V)<br>@20mA |     | IV(mcd)<br>@20mA |     | PEAK WAVE LENGTH λP(nm)<br>@20mA |
|--------|----------------|-----|------------------|-----|----------------------------------|
|        | TYP            | MAX | TYP              | TYP |                                  |
| YELLOW | 2.2            | 2.6 | 15               | 20  | 588                              |
| GREEN  | 2.2            | 2.6 | 10               | 20  | 570                              |

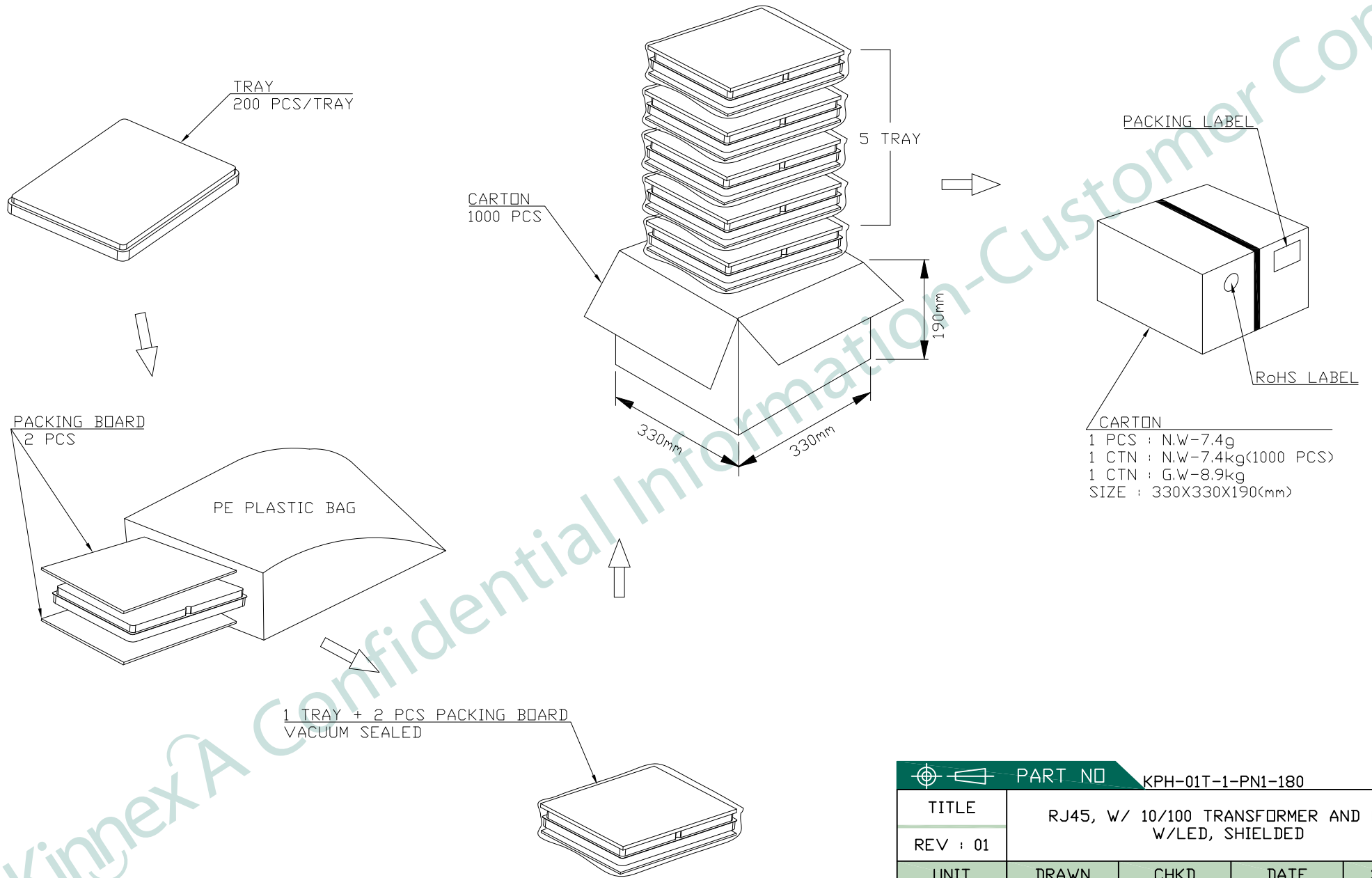
4. ELECTRICAL CHARACTERISTICS :

TEST NOTES:(25±5°C)


- TR:  
INPUT TO OUTPUT=1:1±3%
- LX:(100KHz,100mV,8mA, DC Bias)  
350uH MINIMUM
- DCR:  
EVERY RJ PAIR=1.2 Ω MAXIMUM
- HIPOT:  
INPUT(RJ SIDE) TO OUTPUT(LAN SIDE):  
1500 VAC/60SEC
- INSERTION LOSS:  
-1.0dB MAXIMUM AT 0.3MHz TO 100MHz
- RETURN LOSS:  
-20dB MINIMUM AT 1MHz TO 30MHz  
-15dB MINIMUM AT 30MHz TO 60MHz  
-10dB MINIMUM AT 60MHz TO 80MHz
- CROSS TALK:  
-30dB MINIMUM AT 1MHz TO 100MHz
- COMMON TO COMMON MODE REJECTION:  
-30dB MINIMUM AT 1MHz TO 100MHz
- WORKING CURRENT FOR PoE: 360mA DC MAX

|          |  |                   |              |        |
|----------|--|-------------------|--------------|--------|
| PART NO  |  | KPH-01T-1-PN1-180 |              |        |
| TITLE    | RJ45, W/ 10/100 TRANSFORMER AND PoE, W/LED, SHIELDED |                   |              |        |
| REV : 01 |  |                   |              |        |
| UNIT     | DRAWN  | CHKD              | DATE         | SHEET  |
| mm[inch] | CINDY  | DANIEL            | Jan. 15, '18 | 3 of 5 |

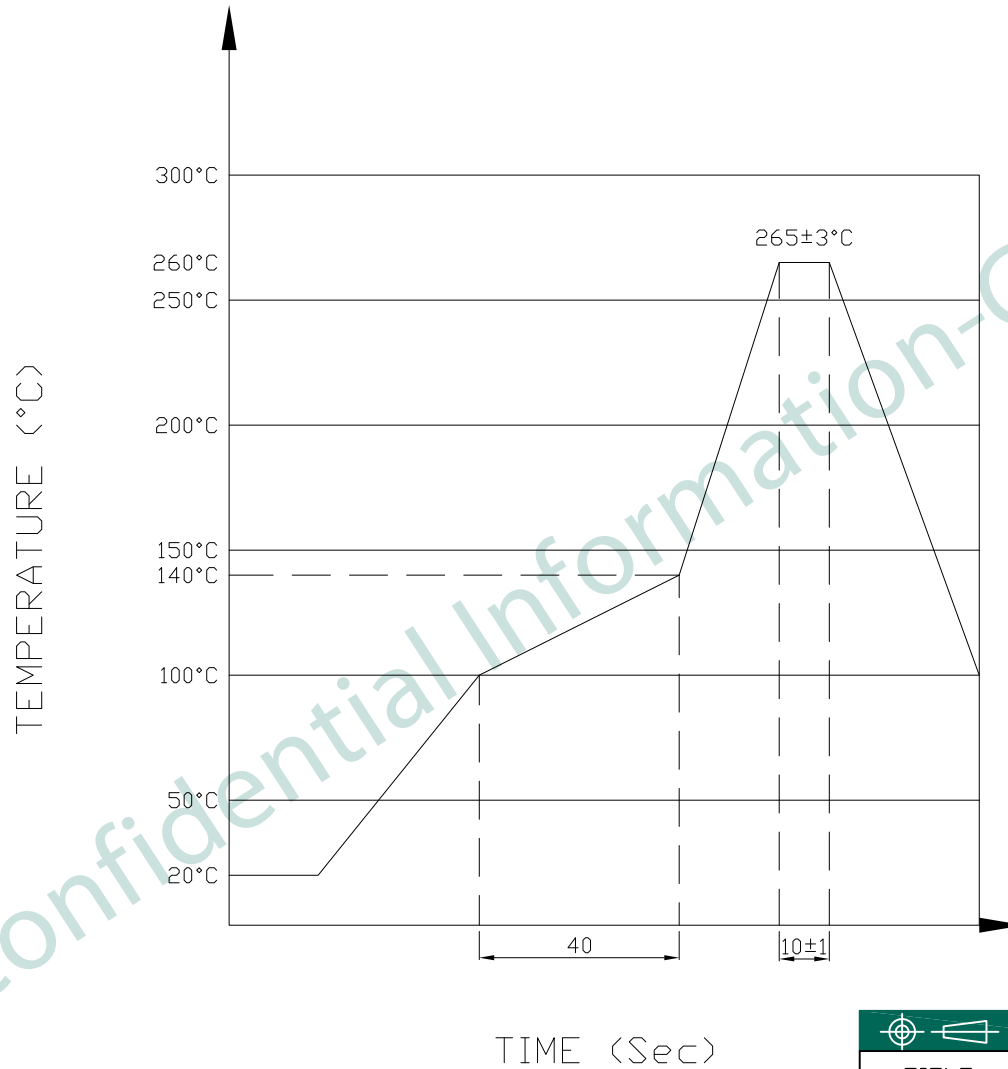
5. PACKING SPECIFICATION:



- 1 PCS : N.W-7.4g
- 1 CTN : N.W-7.4kg(1000 PCS)
- 1 CTN : G.W-8.9kg
- SIZE : 330X330X190(mm)

|   |       |  |              |        |
|---|-------|--|--------------|--------|
|  PART NO |       | KPH-01T-1-PN1-180                                    |              |        |
| TITLE   |       | RJ45, W/ 10/100 TRANSFORMER AND PoE, W/LED, SHIELDED |              |        |
| REV : 01  |       |  |              |        |
| UNIT  | DRAWN | CHKD   | DATE         | SHEET  |
| mm[inch]  | CINDY | DANIEL   | Jan. 15, '18 | 4 of 5 |

6. PROFILE OF WAVE SOLDER :



The measuring point for the specified temperature shall be on the soldered part of the lead

|                           |  |        |              |        |
|---------------------------|--|--------|--------------|--------|
| PART NO KPH-01T-1-PN1-180 |  |        |              |        |
| TITLE                     | RJ45, W/ 10/100 TRANSFORMER AND PoE, W/LED, SHIELDED |        |              |        |
| REV : 01                  |  |        |              |        |
| UNIT                      | DRAWN  | CHKD   | DATE         | SHEET  |
| mm[inch]                  | CINDY  | DANIEL | Jan. 15, '18 | 5 of 5 |