

4

3

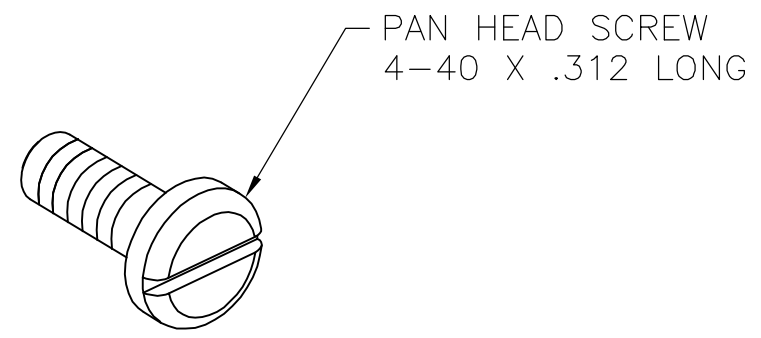
2

1

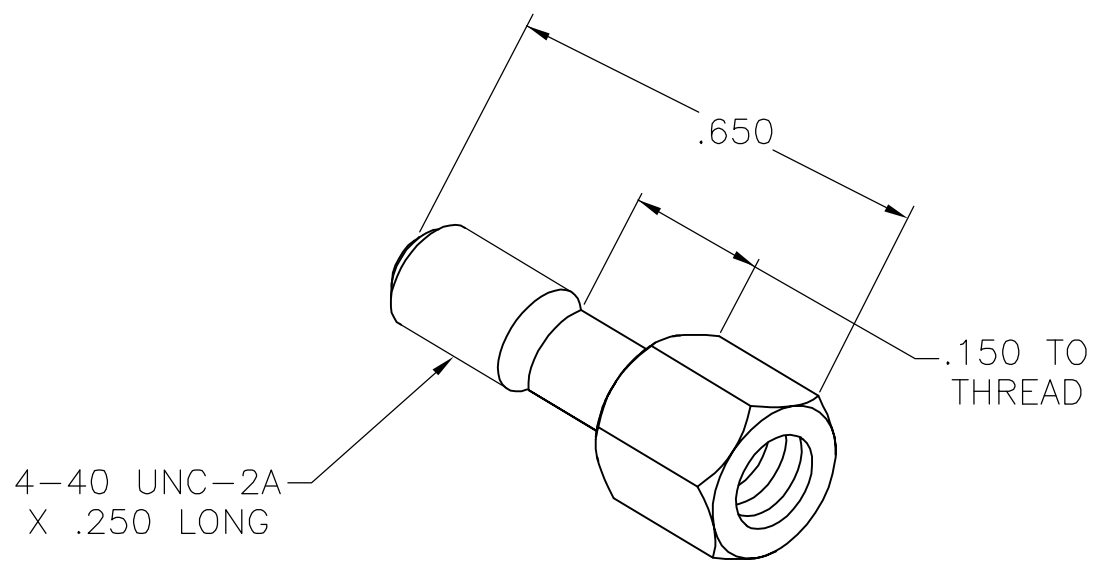
THIS DRAWING IS UNPUBLISHED. RELEASED FOR PUBLICATION - , - .

© COPYRIGHT - BY TYCO ELECTRONICS CORPORATION. ALL RIGHTS RESERVED.

LOC	DIST	REVISIONS					
GP	00	P	LTR	DESCRIPTION	DATE	DWN	APVD
			0	RELEASED PER EC OS13-0288-05	10OCT05	BM	WM



1. ALL DIMENSIONS SHOWN ARE FOR REFERENCE ONLY UNLESS OTHERWISE SPECIFIED.
2. TWO PIECES OF EACH REQUIRED PER KIT.
3. ALL HARDWARE SHIPPED UNASSEMBLED.
- △ 4 MATERIAL:
MOUNTING STUD: ZINC PLATE WITH YELLOW TRIVALENT CHROMATE OVER STEEL.
PAN HEAD SCREW: PASSIVATED STAINLESS STEEL.



5554272-1
PART NUMBER

THIS DRAWING IS A CONTROLLED DOCUMENT.		DWN	B. MCMASTER	10OCT05	 Tyco Electronics Corporation Harrisburg, PA 17105-3608					
DIMENSIONS: INCHES		CHK	W. MILLHIMES	10OCT05						
		APVD	W. MILLHIMES	10OCT05						
TOLERANCES UNLESS OTHERWISE SPECIFIED: 0 PLC ± - 1 PLC ± - 2 PLC ± - 3 PLC ± - 4 PLC ± - ANGLES ± -		PRODUCT SPEC	NAME			EMI HARDWARE KIT, PRE ASSEMBLED, RIGHT ANGLE, 4-40, SCREW LOCK				
MATERIAL	△ 4	FINISH	-		APPLICATION SPEC	SIZE	CAGE CODE	DRAWING NO	RESTRICTED TO	
-		-		WEIGHT	-		A3	00779	C=5554272	-
CUSTOMER DRAWING					SCALE	2:1	SHEET	1 OF 1	REV	0