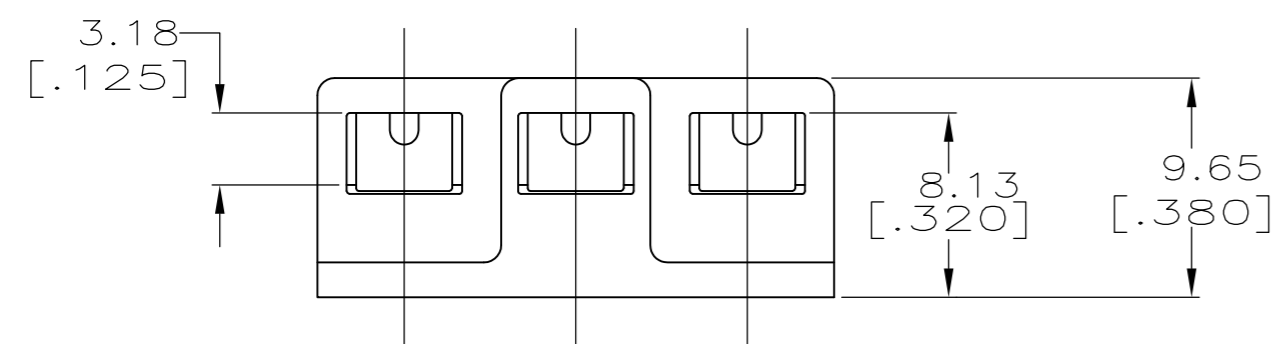
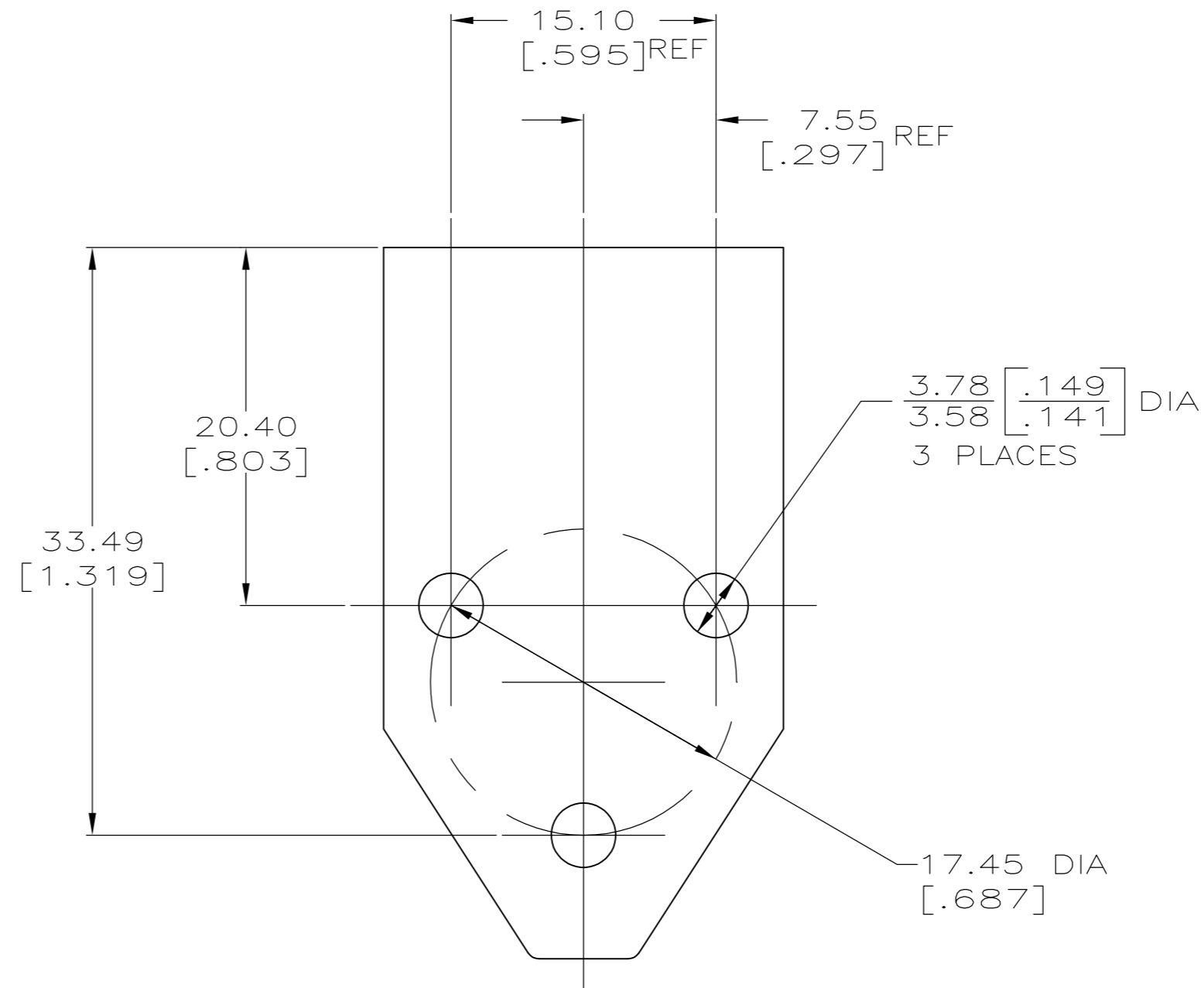
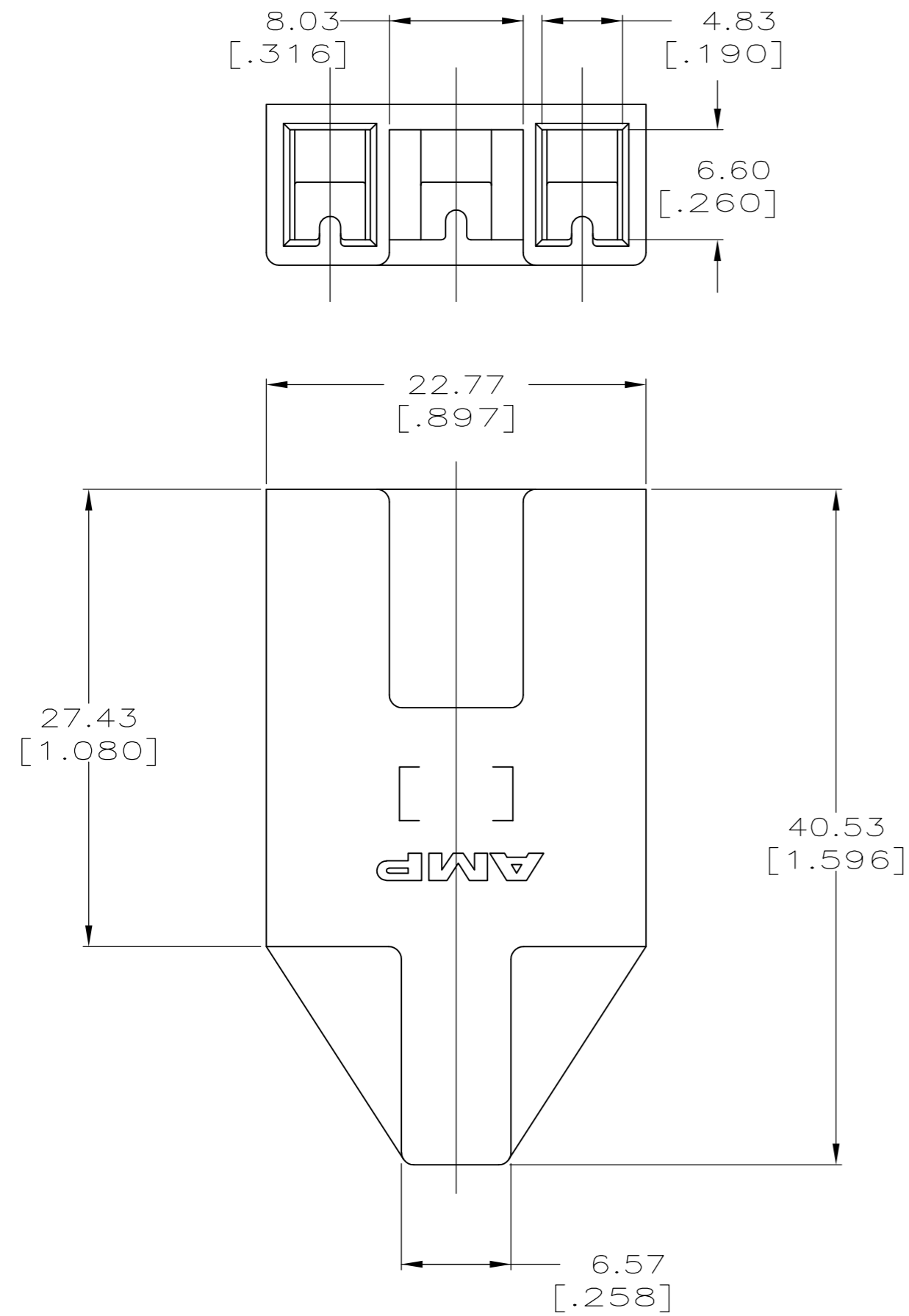


THIS DRAWING IS UNPUBLISHED. RELEASED FOR PUBLICATION  
 © COPYRIGHT BY TYCO ELECTRONICS CORPORATION. ALL INTERNATIONAL RIGHTS RESERVED.

LOC	DIST	REVISIONS			
P	LTR	DESCRIPTION	DATE	DWN	APVD
AF	50				
		E REVISED PER ECR-09-006852	21APR10	HMR	GJ

1 HOUSING ACCEPTS 3.18 [.125] DIA CLUSTER BLOCK PIN RECEPTACLES.



520995-1

PART NUMBER

THIS DRAWING IS A CONTROLLED DOCUMENT.		DWN M.S. FEHER 09JUN2006	Tyco Electronics Corporation Harrisburg, PA 17105-3608	
DIMENSIONS: mm [INCHES]		CHK G.D. PORTA 09JUN2006		
TOLERANCES UNLESS OTHERWISE SPECIFIED:		APVD G.D. PORTA 09JUN2006	NAME HOUSING, CLUSTER BLOCK, 3.18 [.125] DIA	
0 PLC ± -		PRODUCT SPEC	SIZE A2 CAGE CODE 00779 C=520995	
1 PLC ± -		APPLICATION SPEC	DRAWING NO. RESTRICTED TO	
2 PLC ± 0.25 [.010]			SCALE 1:1 SHEET 1 OF 1 REV E	
3 PLC ± -				
4 PLC ± -				
ANGLES ± -				
FINISH NATURAL		WEIGHT -		
MATERIAL PBT UNFILLED		CUSTOMER DRAWING		