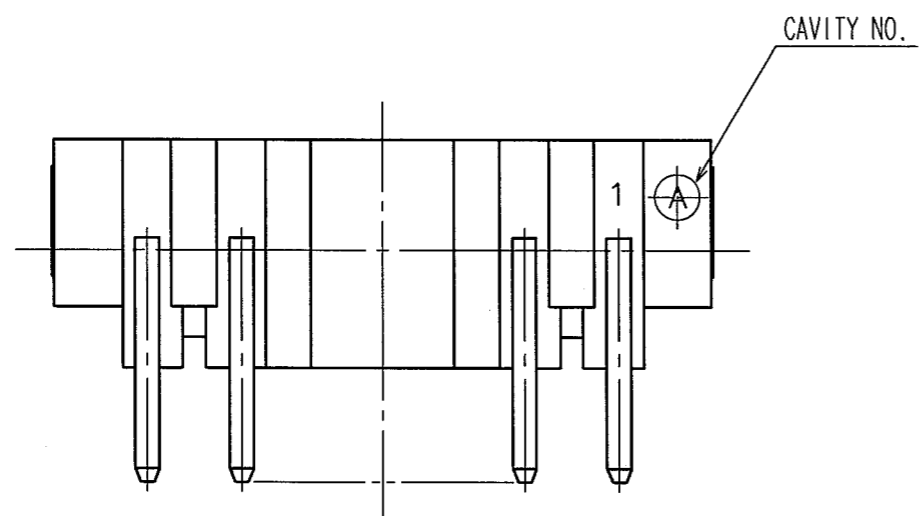
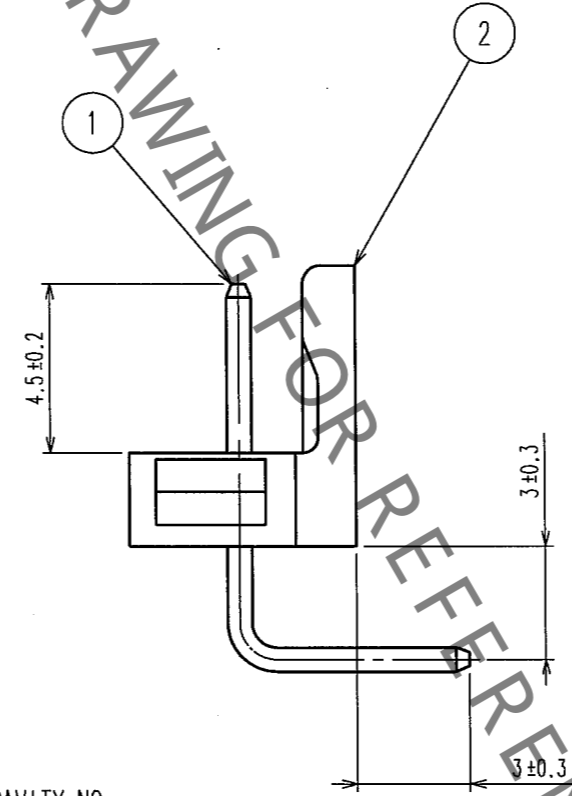
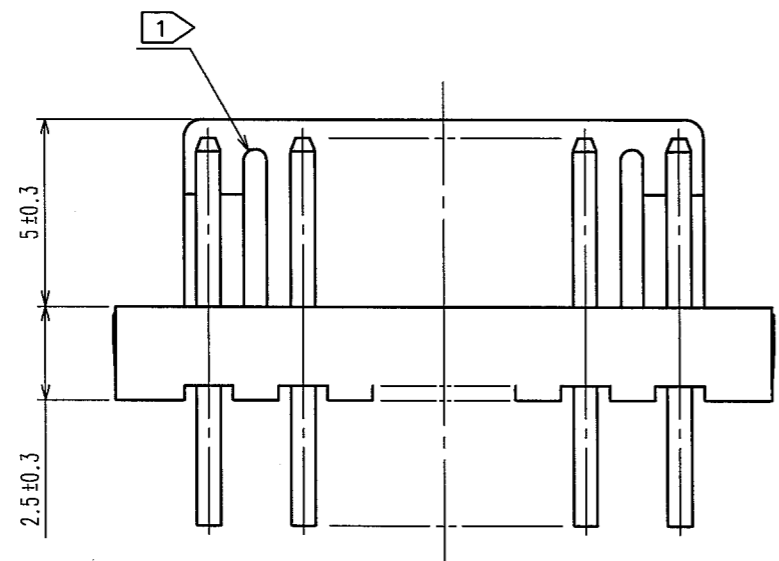
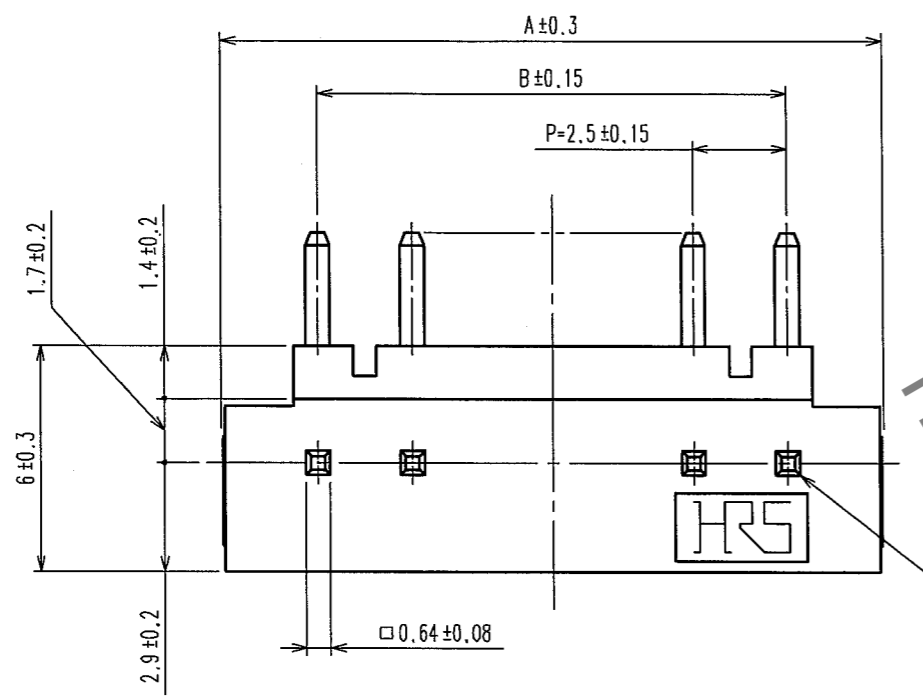


COUNT	DESCRIPTION OF REVISIONS	BY	CHKD	DATE	COUNT	DESCRIPTION OF REVISIONS	BY	CHKD	DATE
△				..	△				..
△				..	△				..
△				..	△				..



HRS DRAWING FOR REFERENCE

CODE NO.	PART NO.	NUMBER OF CONTACTS	A	B
CL541-0020-4-05	DF1- 2P-2.5DS(05)	2	7.5	2.5
CL541-0021-7-05	DF1- 3P-2.5DS(05)	3	10	5
CL541-0022-0-05	DF1- 4P-2.5DS(05)	4	12.5	7.5
CL541-0023-2-05	DF1- 5P-2.5DS(05)	5	15	10
CL541-0024-5-05	DF1- 6P-2.5DS(05)	6	17.5	12.5
CL541-0025-8-05	DF1- 7P-2.5DS(05)	7	20	15
CL541-0026-0-05	DF1- 8P-2.5DS(05)	8	22.5	17.5
CL541-0027-3-05	DF1- 9P-2.5DS(05)	9	25	20
CL541-0028-6-05	DF1-10P-2.5DS(05)	10	27.5	22.5
CL541-0029-9-05	DF1-11P-2.5DS(05)	11	30	25
CL541-0030-8-05	DF1-12P-2.5DS(05)	12	32.5	27.5
CL541-0031-0-05	DF1-13P-2.5DS(05)	13	35	30
CL541-0032-3-05	DF1-14P-2.5DS(05)	14	37.5	32.5
CL541-0033-6-05	DF1-15P-2.5DS(05)	15	40	35
CL541-0034-9-05	DF1-16P-2.5DS(05)	16	42.5	37.5
CL541-0036-4-05	DF1-18P-2.5DS(05)	18	47.5	42.5
CL541-0038-0-05	DF1-20P-2.5DS(05)	20	52.5	47.5

NOTE 1 2 POSITION TO BE SLOTTED AT CENTER FOR ONE LOCATION
OTHER POSITIONS TO BE 2 LOCATIONS AS SHOWN IN FIGURE.

TO

1	BRASS	SURFACE:TIN PLATED 1μ m min UNDER PLATING:NICKEL 0.5μ m min	2	POLYAMIDE	PALE BROWN,UL94V-0	
NO.	MATERIAL	FINISH, REMARKS	NO.	MATERIAL	FINISH, REMARKS	
CODE NO.(OLD) CL		DRAWN	DESIGNED	CHECKED	APPROVED	RELEASED
		M.Nakamoto '04.04.16	H.Umehara '04.04.16	J.Ono '04.04.16	J.Ono '04.04.16	..
DRAWING NO. EDC3-162343-10			PART NO. DF1-*P-2.5DS(05)			
SCALE 5 : 1			CODE NO. CL541-			
UNITS mm			HRS HIROSE ELECTRIC CO., LTD			

1/1 NC