

PART NUMBER LEGEND

114030A46M0108

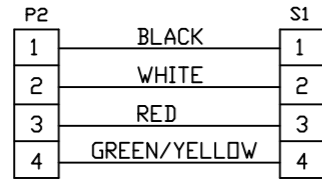
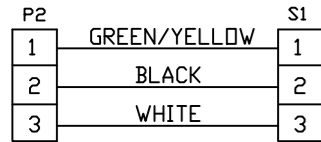
POLES 3 & 4 →

SS COUPLINGS →

FINISHED LENGTH:
M005= 0.5 METER
M010= 1 METER
M100= 10 METER

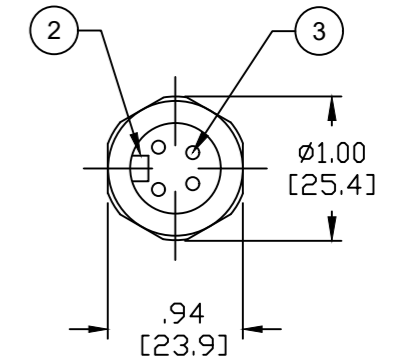
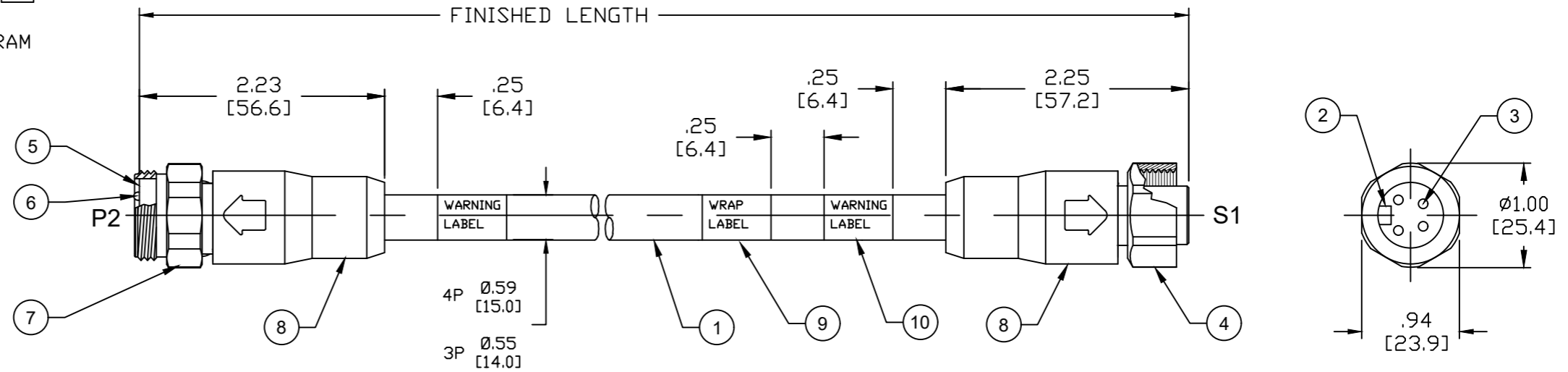
CABLE LENGTH TOLERANCES

<.3M [1FT]: +19mm-0 [+.75in-0]
 .3 - .9M [1 - 3FT]: +44.5mm-0 [+1.75in-0]
 .9 - 1.8M [3 - 6FT]: +55.6mm-0 [+2.19in-0]
 1.8 - 3.7M [6 - 12FT]: +88.9mm-0 [+3.50in-0]
 3.7 - 7.3M [12 - 24FT]: +165.1mm-0 [+6.50in-0]
 7.3-14.6M [24 - 48FT]: +317.5mm-0 [+12.50in-0]
 14.6 - 30.5M [48-100FT]: +622.3mm-0 [+24.50in-0]
 OVER 30M [100FT] +2% OF FINISHED LENGTH



3P WIRING DIAGRAM

4P WIRING DIAGRAM



HEX TYP. BOTH ENDS

- NOTES:**
1. MATERIAL: AS NOTED
 2. FINISH: AS NOTED
 3. ELECTRICAL:
VOLTAGE: 3P: 500V PER IEC60664
4P: 483V PER IEC60664
600V PER UL2237
CURRENT: 15A
 4. TEMP RATING: -20°TO +90°C
 5. PROTECTION: IP67 (WHEN MATED)
 6. COUPLING THREAD: 7/8-16UN
 7. UL LISTED FILE: E258922
 8. ALL DIMS ARE FOR REFERENCE UNLESS TOLERANCED OR NOTED OTHERWISE

ITEM	DESCRIPTION	MATERIAL	FINISH
10	WARNING LABEL	VINYL	ORANGE/BLACK
9	WRAP LABEL	VINYL	BLACK/YELLOW
8	OVERMOLDS	TPE	GRAY
7	COUPLING, MALE	ST-STEEL	PASSIVATED
6	CONTACT PIN	COPPER ALLOY	GOLD PLATED
5	MALE INSERT (A-SIZE)	TPE	BLACK
4	COUPLING, FEMALE	ST-STEEL	PASSIVATED
3	CONTACT SOCKET	COPPER ALLOY	GOLD PLATED
2	FEMALE INSERT (A-SIZE)	TPE	BLACK
1	CABLE, 14/4, 90°C, 600V	PVC JACKET	GRAY

PART NO.	ENGINEERING NO.	FINISHED LENGTH
1300620121	114030A46M0108	1.0M (3 FT 3IN)
1300620126	114030A46M0308	3.0M (6 FT 7IN)
1300620234	113030A46M1008	10.0M (32 FT 10IN)

FUNCTIONAL SYMBOLS	THIS DRAWING CONTAINS INFORMATION THAT IS PROPRIETARY TO MOLEX ELECTRONIC TECHNOLOGIES, LLC AND SHOULD NOT BE USED WITHOUT WRITTEN PERMISSION	SCALE: 1:1		CURRENT REV DESC: UPDATE PER LATEST DOC STD. BORDER, NOTES, O-MOLD AND INSERTS WERE PVC ADD WIRING DIAGRAM	molex		
	DIMENSION UNITS: INCH/MM	GENERAL TOLERANCES (UNLESS SPECIFIED)				EC NO: 648067 DRWN: RSTONE 2020/10/28 CHK'D: MZIELINSKI 2020/10/29 APPR: BWOODMAN 2020/10/30	
	MINUS SIGN	4 PLACES ±----	MINUS SIGN				STR/STR 14 AWG 3 & 4P BRAD PWR 600V SS CPLG
	PLUS SIGN	3 PLACES ±----	PLUS SIGN				
DIAGONAL LINE	2 PLACES ±----	DIAGONAL LINE	DOCUMENT NUMBER: SD-130062-041				
0 PLACES ±----	ANGULAR TOL ± ---- °	INITIAL REVISION:		DOC TYPE: PSD	DOC PART: 001	REVISION: B	
DRAFT WHERE APPLICABLE MUST REMAIN WITHIN DIMENSIONS		THIRD ANGLE PROJECTION	DRAWING: B-SIZE	SERIES: 130062	MATERIAL NUMBER: SEE P/N NO CHART	CUSTOMER: GENERAL MARKET	SHEET NUMBER: 1 OF 1