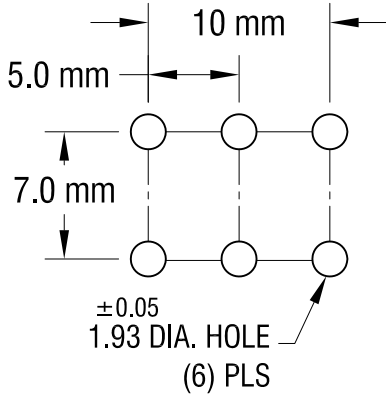
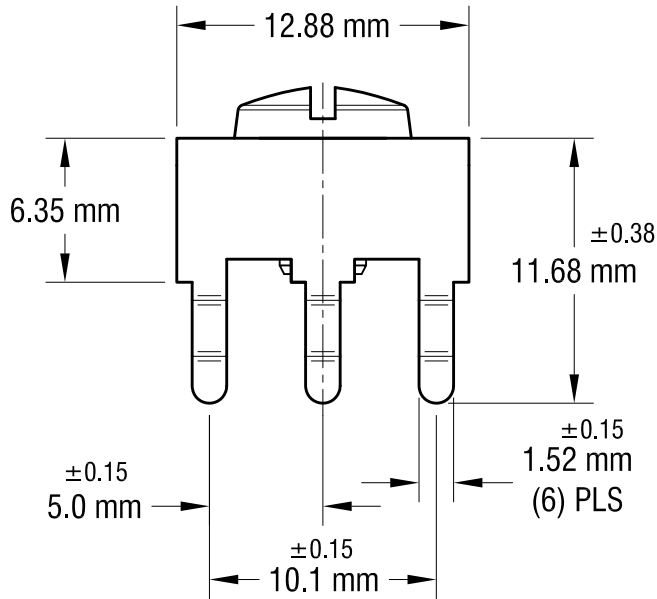
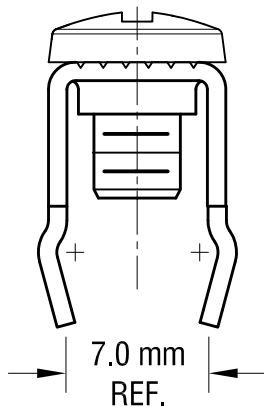
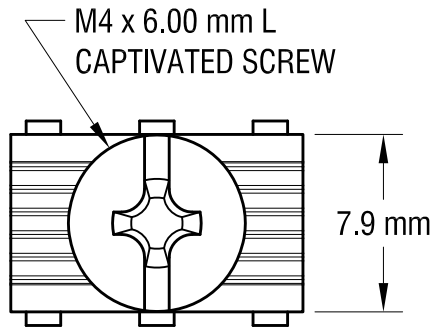
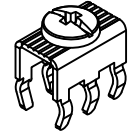


THIS DOCUMENT IS THE PROPERTY OF KEYSTONE ELECTRONICS CORP. AND SHALL NOT BE REPRODUCED, DISTRIBUTED OR USED AS A BASIS FOR MANUFACTURE WITHOUT PRIOR WRITTEN PERMISSION FROM KEYSTONE ELECTRONICS CORP.

**MOUNTING DETAIL**



**ACTUAL SIZE**



**NOTE:**

**1. TERMINAL:**

MAT'L - 0.81mm TH'K BRASS, MATTE TIN PLATE

SCREW : ONE (1) M4 x 6.00mm L.

MAT'L - BRASS, NICKEL PLATE  
(SCREW CAPTIVATED)

HEAD OF SCREW IS POWDER COATED  
WITH COLOR AS INDICATED IN CHART.

**2. ALL DIMENSIONS ARE IN MILLIMETERS.**

**PC SCREW TERMINAL WITH COLORED SCREW HEAD**

PART NO.	HEAD COLOR	PART NO.	HEAD COLOR
7800-2	RED	7800-5	BLUE
7800-3	BLACK	7800-6	GREEN
7800-4	WHITE	7800-7	YELLOW

**KEYSTONE ELECTRONICS CORP.**

www.keyelco.com • NEW HYDE PARK, NY 11040 • Tel (516) 328-7500

PART NAME

METRIC SCREW TERM.& CAPTIVATED SCREW

MATERIAL

AS NOTED

FINISH

AS NOTED

DRN BY

NT

DATE

6.03.15

APP'D

LN

SCALE

3X

TOLERANCES

INCH

[MM]

CODE

DWG NO.

DECIMAL

±

[± 0.25]

C

ANGULAR ± 1°

UNLESS OTHERWISE SPECIFIED

**7800-2 - 7800-7**

DATE

DESCRIPTION

REV.