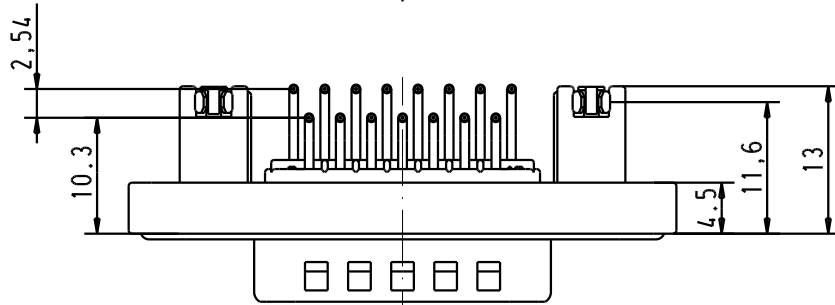
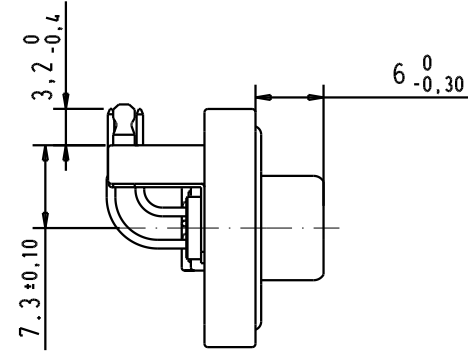
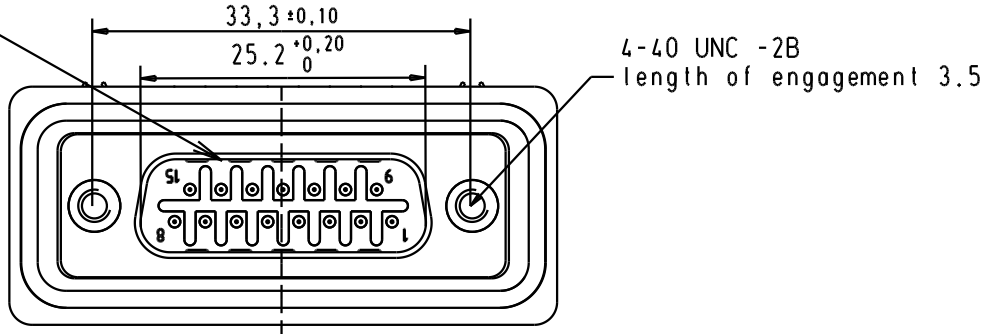


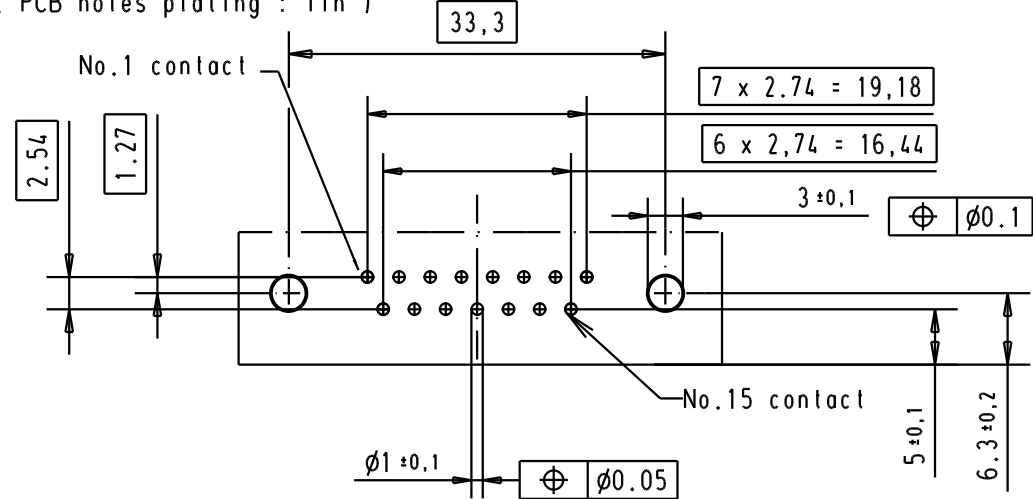
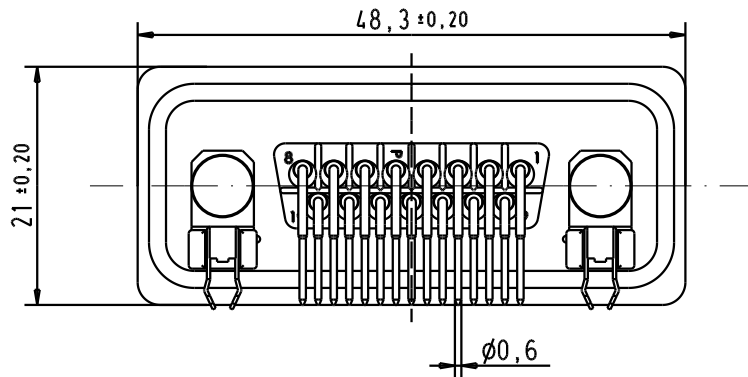
5 4 3 2 1

Mating face according to : MIL-C-24308 / DIN 41652 / CECC 75.01-802



1) Protection standard IP 67 according to IEC 529 / DIN 40050.

PCB layout hole
component side
(PCB holes plating : Tin)



D

C

B

A

09 67 515 7658	Au plating 0,76 µm mini
Part Number	Performance Level

				Dat.	Name	 All Dim. in mm Orig. Size DIN A 4	
				Detail.	20/01/04		S.H.
				Insp.			
				Stand.			
31587	20/01/04	S.H.	HARTING ELEKTRONIK F-95972 Paris				
Mod.	Dat.	Name					

D-SUB IP67 male 15 Poles angled solder pin with bracket and clip for 1.6mm PCB 4-40 UNC nut		Moßstab/ Scale
TB 09 67 515 7658		Blatt / Page
Sub.		