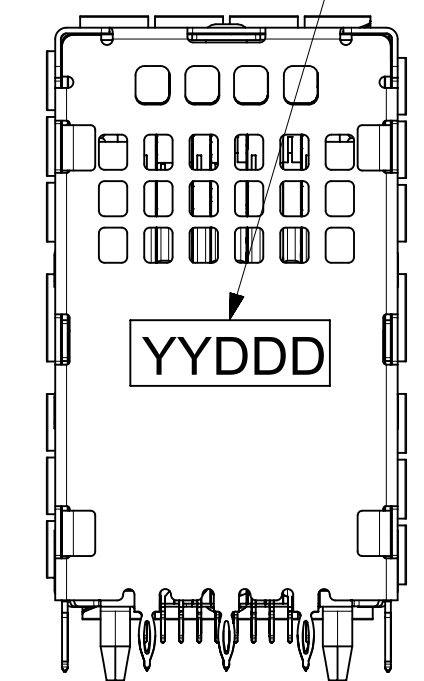


DATE TIME LASER MARK
SEE NOTE 8



NOTES:

1. MATERIAL:

CAGE: NICKEL SILVER
 CONNECTOR HOUSING: GLASS FILLED THERMOPLASTIC, UL: 94V-0, COLOR: BLACK
 TERMINALS: HIGH PERFORMANCE COPPER ALLOY
 FRONT SHIELD WALL: COPPER ALLOY

2. FINISH

TERMINALS: CONTACT AREA: 0.76 MICRONS MIN. HARD GOLD OVER 3.8 MICRONS MIN. NICKEL
 COMPLIANT TAIL: 0.7-1.5 MICRONS MATTE TIN OVER 0.7-1.5 MICRONS NICKEL
 FRONT SHIELD WALL: 0.7-1.5 MICRONS NICKEL OVERALL

3. 2X1 CONFIGURATION SHOWN FOR REFERENCE. SEE TABLE FOR AVAILABLE OPTIONS

4. ALL VISIBLE EXTERIOR SURFACES TO BE CLASS "B" (BOTTOM OF CONNECTOR IS CLASS "C")
 CAGE SURFACES TO CONFORM TO THE MOLEX COSMETIC DOC PS-45499-002

5. REFERENCE SPECIFICATIONS FOR ELECTRICAL, MECHANICAL, AND ENVIRONMENTAL ARE NOT YET AVAILABLE.

6. REFER TO AS-170071-0001 FOR CONNECTOR MOUNTING AND REWORK INFORMATION.

7. REFER TO AS-206741-0001 FOR PCB ROUTING RECCOMENDATIONS.

8. DATE CODE LOCATION SHOWN. DATE CODE FORMAT: YYDDD

YY = YEAR, DDD = DAY OF THE YEAR

MARK LOCATED ON LEFT PORT FOR CONFIGURATIONS 2X2, 2X4, 2X6, 2X8, & 2X12.

PORT SIZE	PART NUMBER	DIM X	DIM Y
2X1	2067411001	14.70	15.10
2X2	2067412001	28.95	29.35
2X4	2067414001	57.45	57.85
2X6	2067416001	85.95	86.35
2X8	2067418001	114.45	114.85
2X12	2067411201	171.45	171.85

SYMBOLS				THIS DRAWING CONTAINS INFORMATION THAT IS PROPRIETARY TO MOLEX ELECTRONIC TECHNOLOGIES, LLC AND SHOULD NOT BE USED WITHOUT WRITTEN PERMISSION			
▽ = 0	▽ = 0	▽ = 0	▽ = 0	DIMENSION UNITS	SCALE	CURRENT REV DESC:	
▽ = 0	▽ = 0	▽ = 0	▽ = 0	mm	3:1	EC NO: 642031	
▽ = 0	▽ = 0	▽ = 0	▽ = 0	GENERAL TOLERANCES (UNLESS SPECIFIED)		DRWN: TTAO03 2020/07/22	
▽ = 0	▽ = 0	▽ = 0	▽ = 0	ANGULAR TOL ± °		CHK'D: JKACHLIC 2020/08/19	
▽ = 0	▽ = 0	▽ = 0	▽ = 0	4 PLACES ±		APPR: JKACHLIC 2020/08/19	
▽ = 0	▽ = 0	▽ = 0	▽ = 0	3 PLACES ±		INITIAL REVISION:	
▽ = 0	▽ = 0	▽ = 0	▽ = 0	2 PLACES ± 0.13		DRWN: TTAO03 2020/07/22	
▽ = 0	▽ = 0	▽ = 0	▽ = 0	1 PLACE ± 0.25		APPR: JKACHLIC 2020/08/19	
▽ = 0	▽ = 0	▽ = 0	▽ = 0	0 PLACES ±		THIRD ANGLE PROJECTION	
▽ = 0	▽ = 0	▽ = 0	▽ = 0	DRAFT WHERE APPLICABLE MUST REMAIN WITHIN DIMENSIONS		DRAWING	SERIES
▽ = 0	▽ = 0	▽ = 0	▽ = 0	C-SIZE		206741	MATERIAL NUMBER
				CUSTOMER		SHEET NUMBER	
				GENERAL MARKET		1 OF 5	

molex

56G ZSFP+ STACKED ASSY WITH AIR VENT

PRODUCT CUSTOMER DRAWING

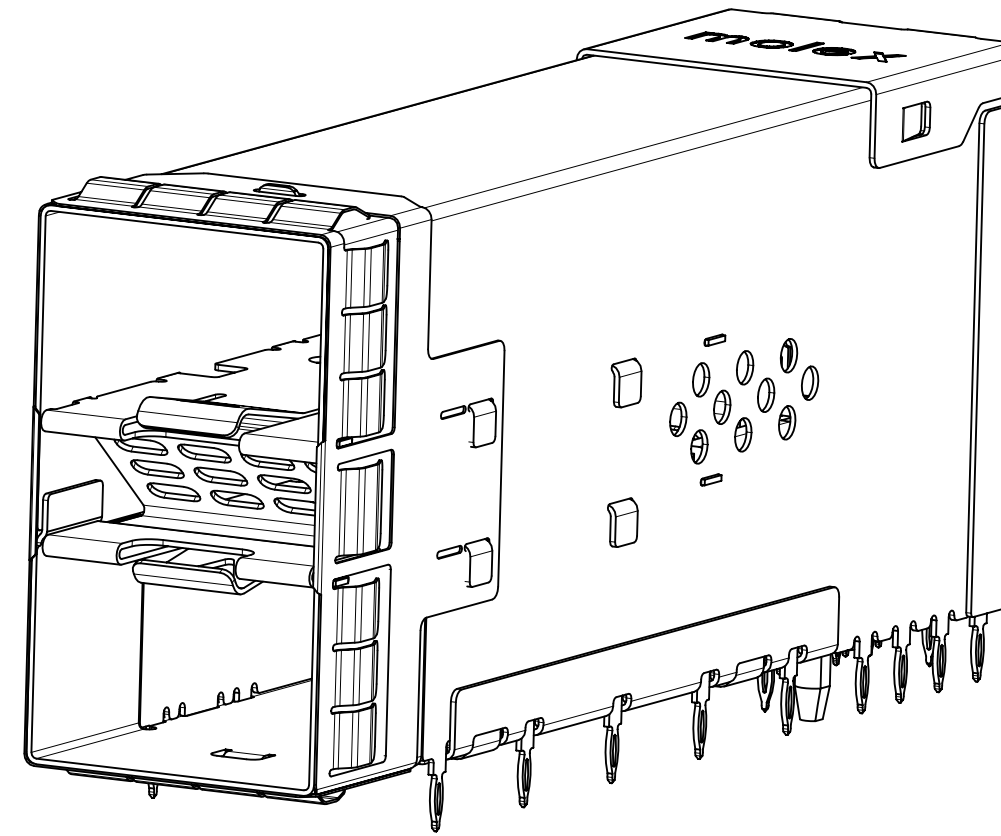
DOCUMENT NUMBER
2067411400

DOC TYPE
PSD

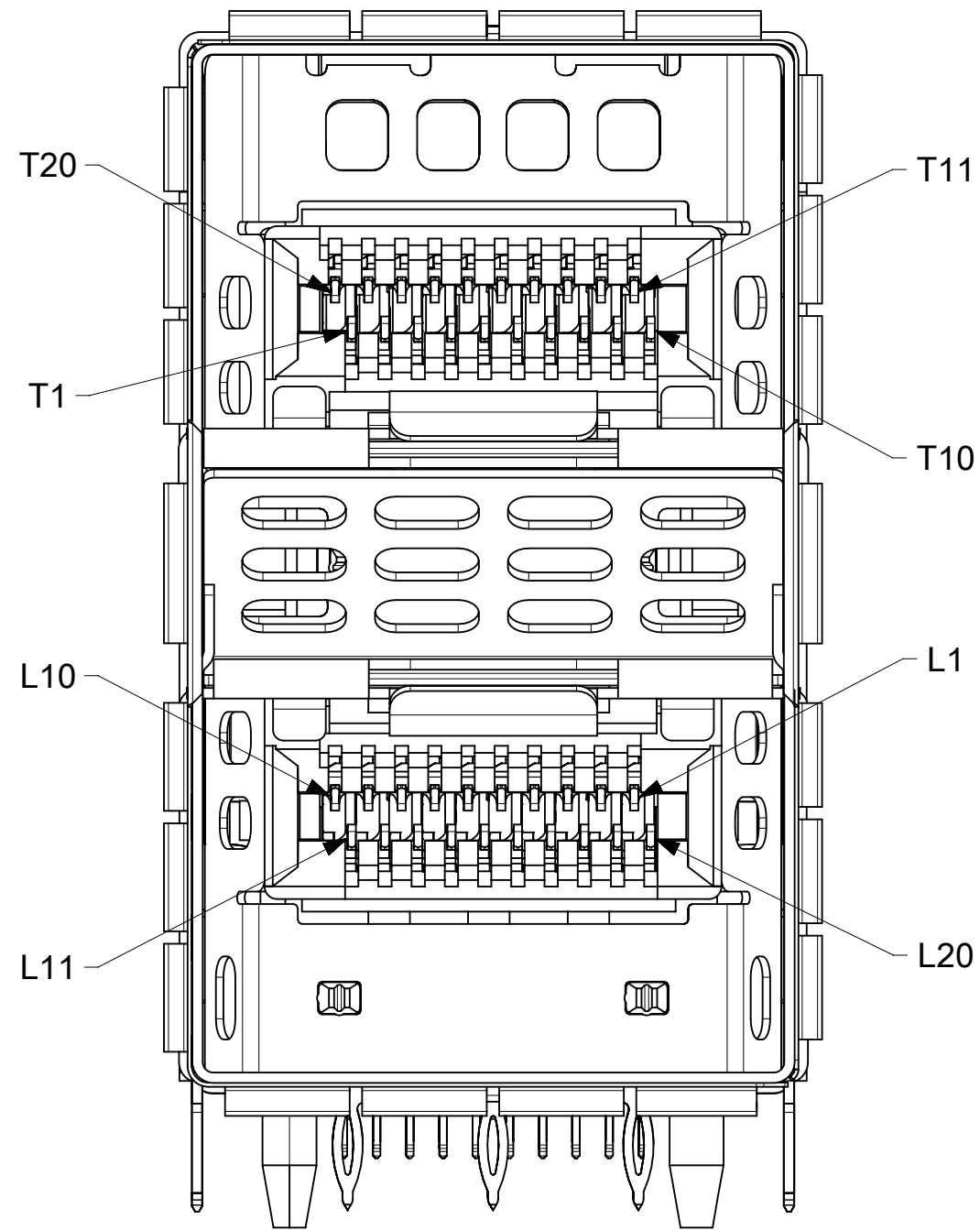
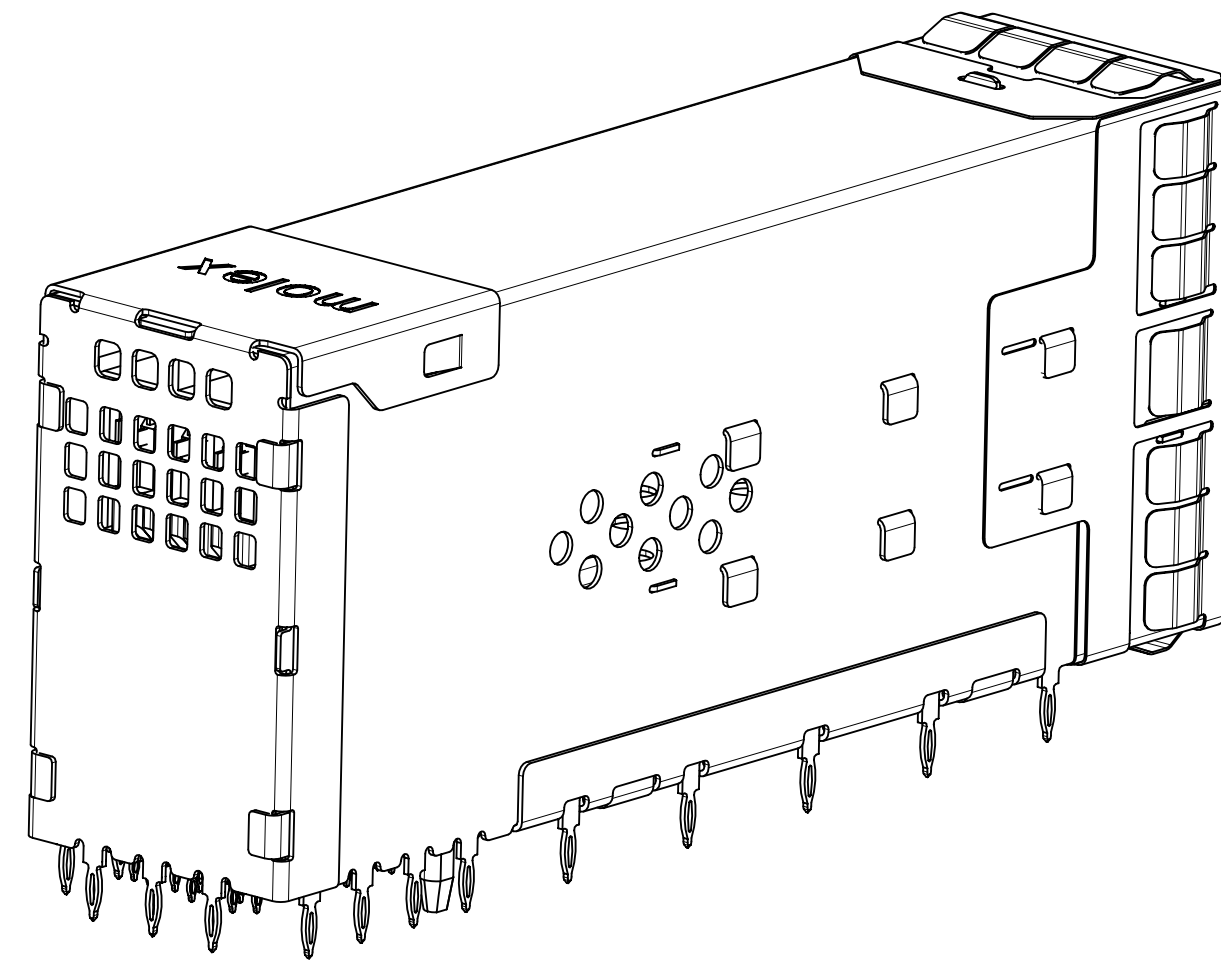
DOC PART
000

REVISION
A

FRONT ISO VIEW



BACK ISO VIEW



SYMBOLS										THIS DRAWING CONTAINS INFORMATION THAT IS PROPRIETARY TO MOLEX ELECTRONIC TECHNOLOGIES, LLC AND SHOULD NOT BE USED WITHOUT WRITTEN PERMISSION									
DIMENSION UNITS		SCALE		CURRENT REV DESC:															
= 0		mm		3:1		EC NO: 642031													
= 0		GENERAL TOLERANCES (UNLESS SPECIFIED)		DRWN: TTAO03 2020/07/22															
= 0		ANGULAR TOL ± °		CHK'D: JKACHLIC 2020/08/19															
= 0		4 PLACES ±		APPR: JKACHLIC 2020/08/19															
= 0		3 PLACES ±		INITIAL REVISION:															
= 0		2 PLACES ± 0.13		DRWN: TTAO03 2020/07/22															
= 0		1 PLACE ± 0.25		APPR: JKACHLIC 2020/08/19															
= 0		0 PLACES ±		DRAFT WHERE APPLICABLE MUST REMAIN WITHIN DIMENSIONS		THIRD ANGLE PROJECTION		DRAWING		SERIES		MATERIAL NUMBER		CUSTOMER		SHEET NUMBER			
= 0				C-SIZE		206741		SEE TABLE		GENERAL MARKET		2 OF 5							

moLEX

56G ZSFP+ STACKED ASSY WITH AIR VENT

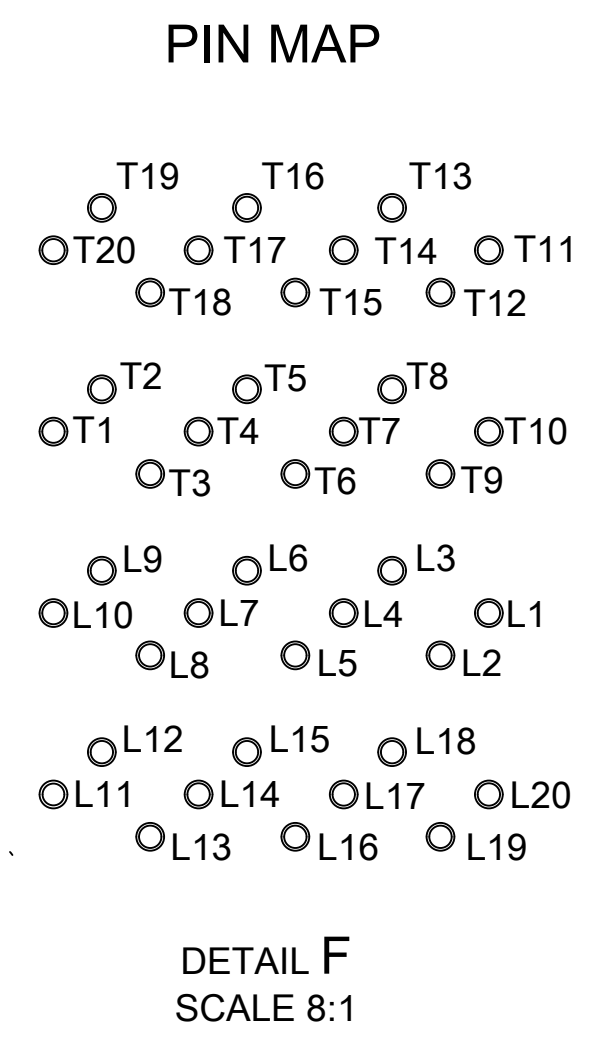
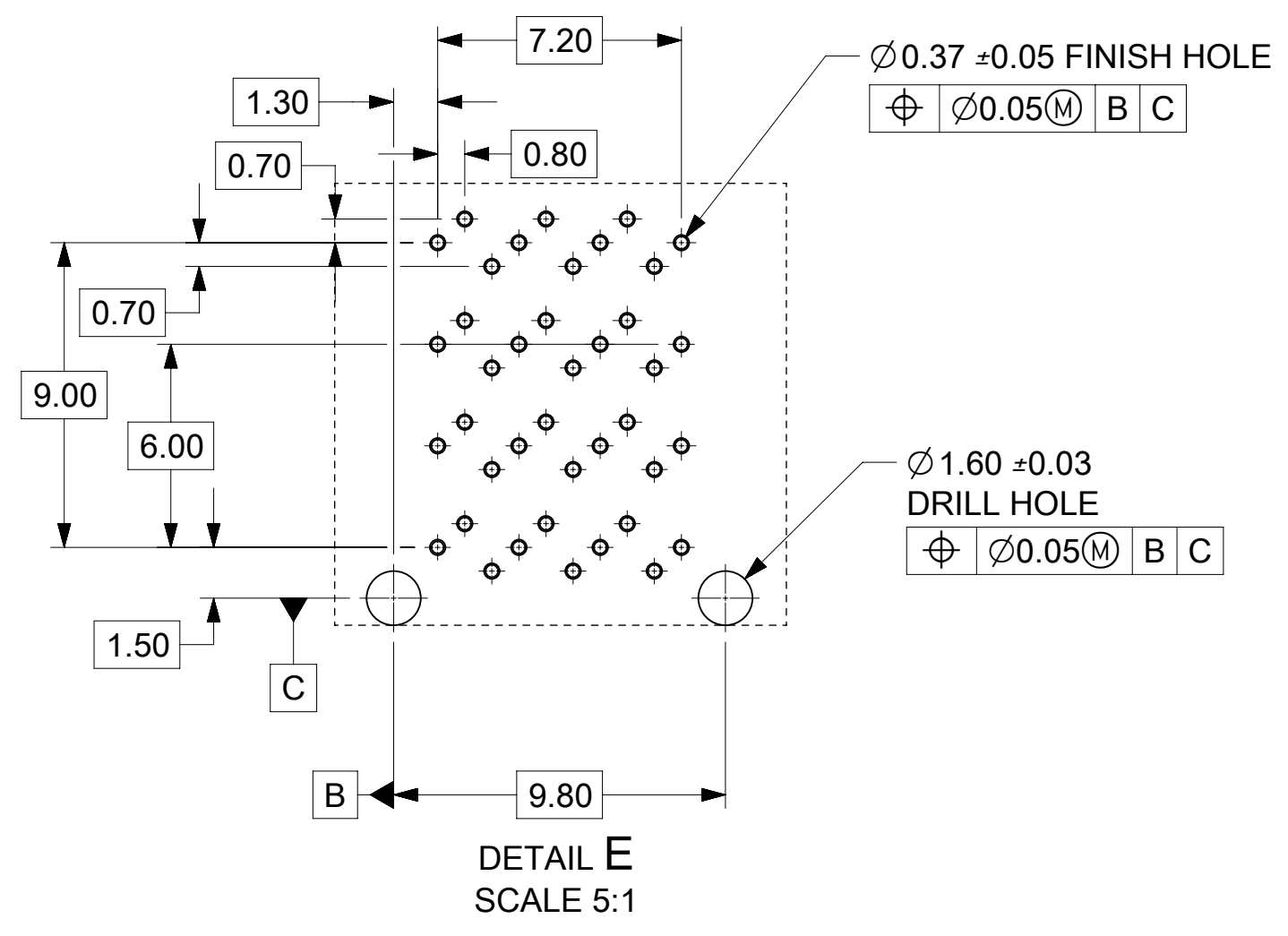
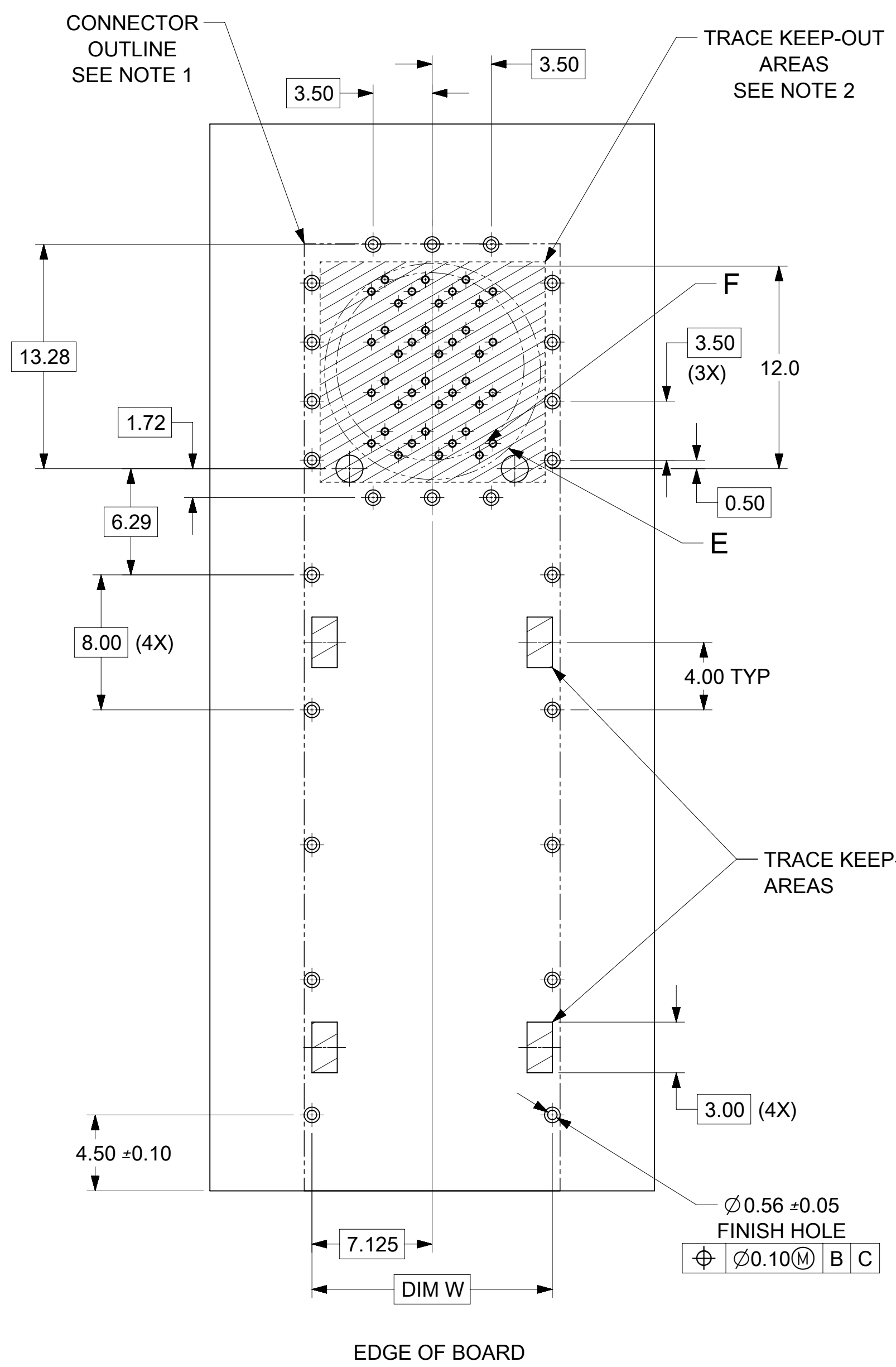
PRODUCT CUSTOMER DRAWING

DOCUMENT NUMBER DOC TYPE DOC PART REVISION

2067411400 PSD 000 A

MATERIAL NUMBER CUSTOMER SHEET NUMBER

SEE TABLE GENERAL MARKET 2 OF 5



PIN MAP LEGEND	
PIN NUMBER	FUNCTION
L1/T1	VEET
L2/T2	TX-FAULT
L3/T3	TX-DISABLE
L4/T4	SDA
L5/T5	SCL
L6/T6	MOD_ABS
L7/T7	RSO
L8/T8	RX_LOS
L9/T9	RSI
L10/T10	VEER
L11/T11	VEER
L12/T12	RD-
L13/T13	RD+
L14/T14	VEER
L15/T15	VCCR
L16/T16	VCCT
L17/T17	VEET
L18/T18	TD+
L19/T19	TD-
L20/T20	VEET

NOTES:
 1. THE ENTIRE AREA UNDER THE CONNECTOR IS A KEEP OUT ZONE FOR COMPONENTS AND TRACES, TOP LAYER ONLY, EXCEPT FOR CHASSIS GROUND.
 2. CROSS HATCHED AREAS INDICATE PLACES WHERE THE PLASTIC HOUSING AND METAL CAGE MAY CONTACT PCB SURFACE. THESE AREAS ARE KEEP OUT ZONES. CROSS HATCHED AREA UNDER THE CONNECTOR ARE TRACE AND VIA KEEP OUT AREAS FOR ALL LAYERS.

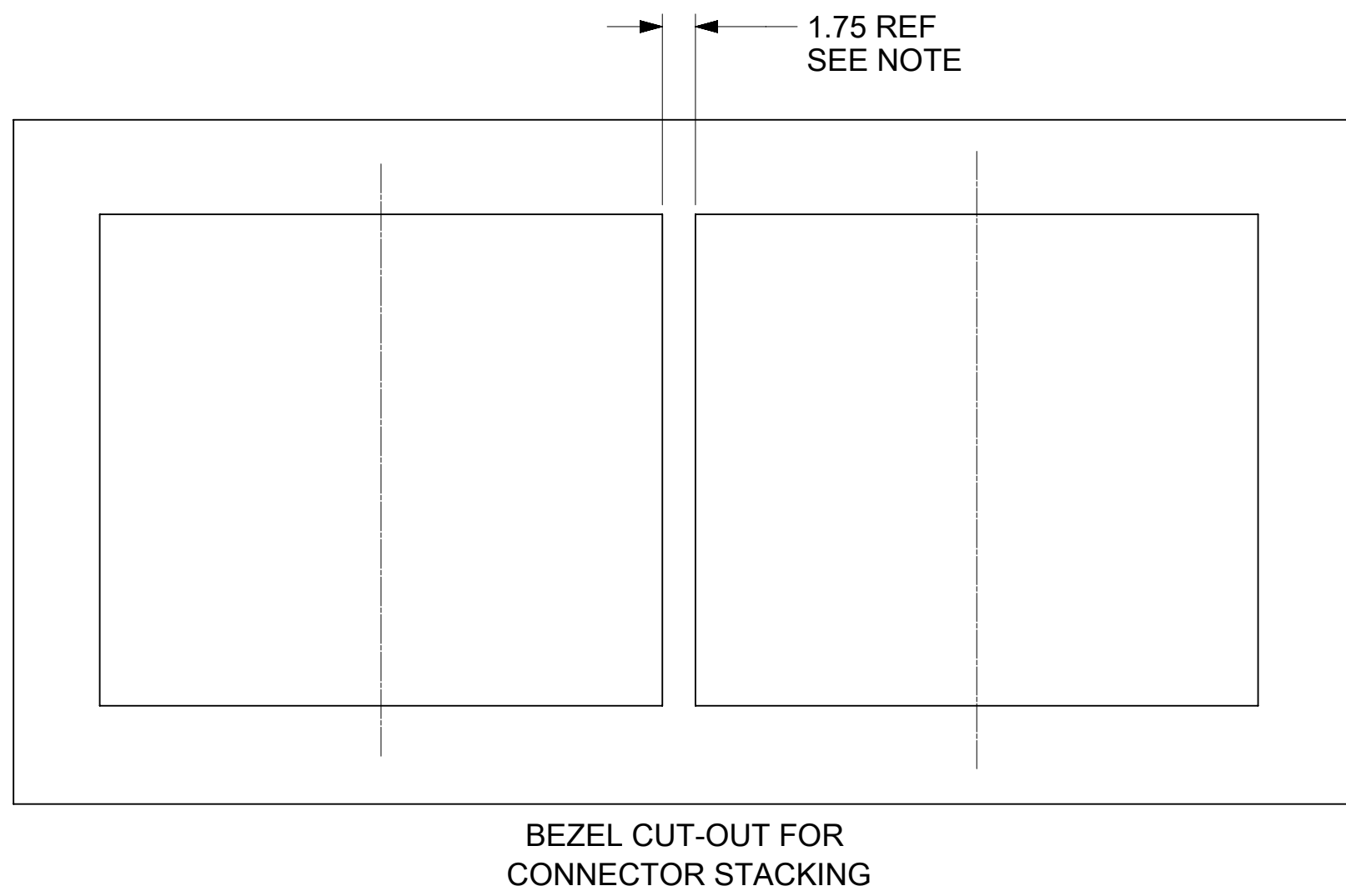
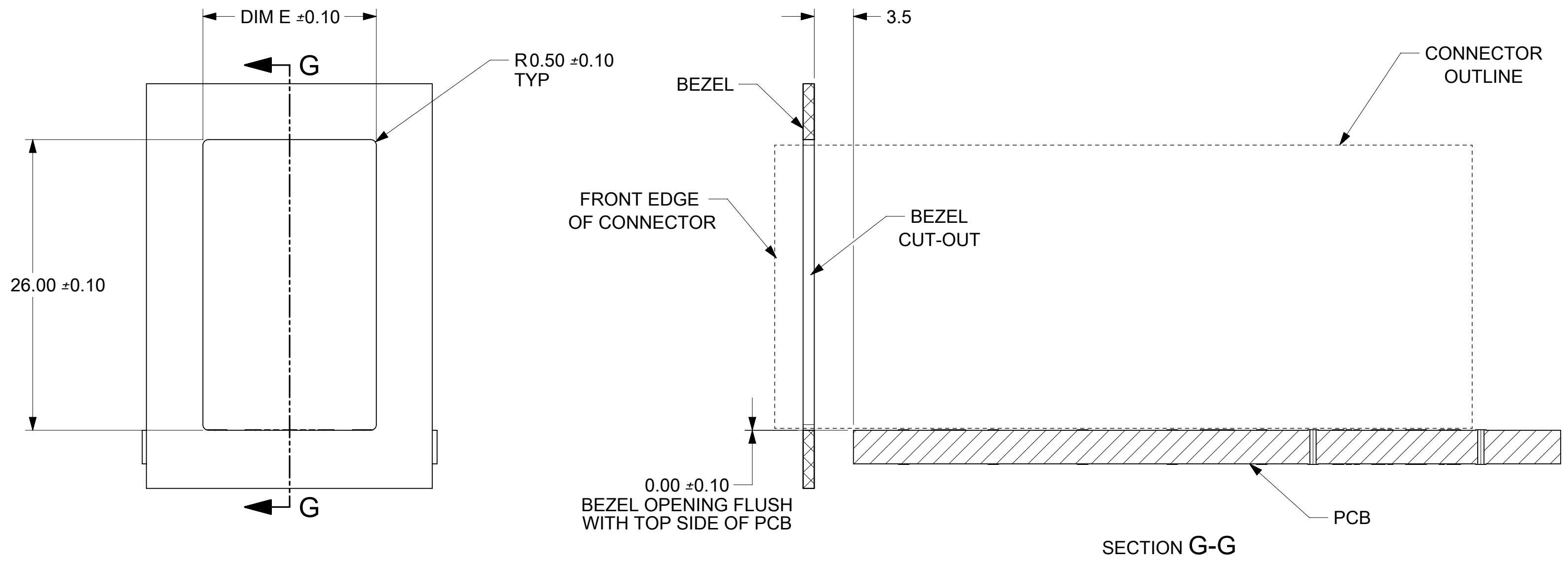
PORT SIZE	DIM "W"	HOLE CHART		
		CONNECTOR Ø0.56	SHIELD	LOCATION
2X1	14.25	40	24	2
2X2	28.50	80	39	4
2X4	57.00	160	69	8
2X6	85.50	240	99	12
2X8	114.00	320	129	16
2X12	171.00	480	189	24

SYMBOLS		THIS DRAWING CONTAINS INFORMATION THAT IS PROPRIETARY TO MOLEX ELECTRONIC TECHNOLOGIES, LLC AND SHOULD NOT BE USED WITHOUT WRITTEN PERMISSION	
▽ = 0	mm	SCALE	4:1
▽ = 0	GENERAL TOLERANCES (UNLESS SPECIFIED)		
▽ = 0	ANGULAR TOL	±	°
▽ = 0	4 PLACES	±	
▽ = 0	3 PLACES	±	
▽ = 0	2 PLACES	±	0.13
▽ = 0	1 PLACE	±	0.25
▽ = 0	0 PLACES	±	
▽ = 0	DRAFT WHERE APPLICABLE MUST REMAIN WITHIN DIMENSIONS		
▽ = 0	THIRD ANGLE PROJECTION		DRAWING
		C-SIZE	206741
CURRENT REV DESC:		SERIES	206741
EC NO: 642031		DATE	2020/07/22
DRWN: TTAO03		DATE	2020/08/19
CHK'D: JKACHLIC		DATE	2020/08/19
APPR: JKACHLIC		DATE	2020/08/19
INITIAL REVISION:		DATE	2020/07/22
DRWN: TTAO03		DATE	2020/08/19
APPR: JKACHLIC		DATE	2020/08/19
DOCUMENT NUMBER		DOC TYPE	DOC PART
2067411400		PSD	000
MATERIAL NUMBER		CUSTOMER	SHEET NUMBER
SEE TABLE		GENERAL MARKET	3 OF 5



56G ZSFP+ STACKED ASSY WITH AIR VENT

PRODUCT CUSTOMER DRAWING



PORT SIZE	DIM "E"
2X1	15.50
2X2	29.75
2X4	58.25
2X6	86.75
2X8	115.25
2X12	172.25

NOTE:

FOR SIDE BY SIDE STACKING OF CONNECTORS. A BASIC DIMENSION OF 3.0mm BETWEEN CONNECTOR MOUNTING PATTERNS IS THE RECOMMENDED MINIMUM SPACING.

SYMBOLS		THIS DRAWING CONTAINS INFORMATION THAT IS PROPRIETARY TO MOLEX ELECTRONIC TECHNOLOGIES, LLC AND SHOULD NOT BE USED WITHOUT WRITTEN PERMISSION	
DIMENSION UNITS	SCALE	CURRENT REV DESC:	
$\nabla = 0$	mm	3:1	
$\nabla / = 0$	GENERAL TOLERANCES (UNLESS SPECIFIED)		
$\nabla \setminus = 0$	ANGULAR TOL	± °	
$\nabla \setminus / = 0$	4 PLACES	±	
$\nabla \setminus \setminus = 0$	3 PLACES	±	
$\nabla \setminus \setminus / = 0$	2 PLACES	± 0.13	
$\nabla \setminus \setminus \setminus = 0$	1 PLACE	± 0.25	
$\nabla \setminus \setminus \setminus / = 0$	0 PLACES	±	
$\blacksquare = 0$	DRAFT WHERE APPLICABLE MUST REMAIN WITHIN DIMENSIONS		
$\nabla \setminus \setminus \setminus \setminus = 0$	THIRD ANGLE PROJECTION	DRAWING	SERIES
		C-SIZE	206741
	EC NO: 642031	2020/07/22	
	DRWN: TTAO03	2020/08/19	
	CHK'D: JKACHLIC	2020/08/19	
	APPR: JKACHLIC	2020/08/19	
	INITIAL REVISION:		
	DRWN: TTAO03	2020/07/22	
	APPR: JKACHLIC	2020/08/19	
	DOCUMENT NUMBER		DOC TYPE DOC PART REVISION
	2067411400		PSD 000 A
	MATERIAL NUMBER	CUSTOMER	SHEET NUMBER
	SEE TABLE	GENERAL MARKET	4 OF 5

molex

56G ZSFP+ STACKED ASSY WITH AIR VENT

PRODUCT CUSTOMER DRAWING

REV	DATE	DESCRIPTION
A	2020/08/03	INITIAL RELEASE

FUNCTIONAL SYMBOLS	THIS DRAWING CONTAINS INFORMATION THAT IS PROPRIETARY TO MOLEX ELECTRONIC TECHNOLOGIES, LLC AND SHOULD NOT BE USED WITHOUT WRITTEN PERMISSION												
	DIMENSION UNITS	SCALE	CURRENT REV DESC:							molex			
$\frac{F}{A} = 0$	mm	1:1	EC NO: 642031									56G ZSFP+ STACKED ASSY WITH AIR VENT	
$\frac{F}{C} = 0$	GENERAL TOLERANCES (UNLESS SPECIFIED)		DRWN: TTAO03 2020/07/22							PRODUCT CUSTOMER DRAWING			
$\frac{F}{P} = 0$	ANGULAR TOL ± °		CHK'D: JKACHLIC 2020/08/19							DOCUMENT NUMBER			
DIVISIONAL SYMBOLS	4 PLACES ±		APPR: JKACHLIC 2020/08/19							2067411400			
	3 PLACES ±		INITIAL REVISION:							DOC TYPE			
	2 PLACES ± 0.13		DRWN: TTAO03 2020/07/22							PSD			
	1 PLACE ± 0.25		APPR: JKACHLIC 2020/08/19							000			
0 PLACES ±		THIRD ANGLE PROJECTION		DRAWING		SERIES		MATERIAL NUMBER		CUSTOMER		SHEET NUMBER	
DRAFT WHERE APPLICABLE MUST REMAIN WITHIN DIMENSIONS				C-SIZE		206741		SEE TABLE		GENERAL MARKET		5 OF 5	

DOCUMENT STATUS	P1	RELEASE DATE	2020/08/19 08:20:35
-----------------	----	--------------	---------------------