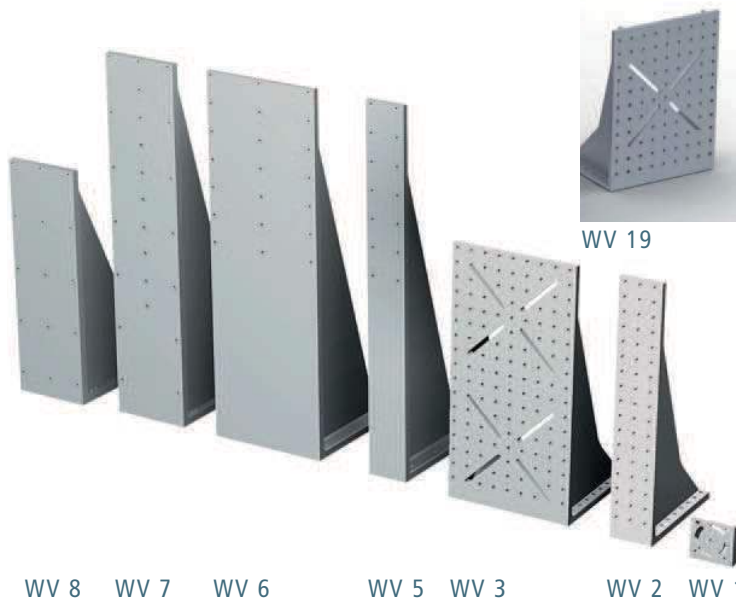


## Angle brackets

## Connectors

### Angle bracket with clamping surfaces milled flat



#### Angle bracket WV 1

- blank
- Aluminium casting (0.2 kg)
- L71 x W75 x H71

Part no.: **209110 0010**

#### Angle bracket WV 2

- blank
- Aluminium casting (2.6 kg)
- L221 x W75 x H446

Part no.: **209110 0022**

#### Angle bracket WV 3

- blank
- Aluminium casting (5.8 kg)
- L221 x W221 x H446

Part no.: **209110 0032**

#### Angle bracket WV 5

- blank
- Aluminium welded (5.26 kg)
- L220 x W75 x H670

Part no.: **209 110 0050**

#### Angle bracket WV 6

- blank
- Aluminium welded (13.3 kg)
- L220 x W220 x H670

Part no.: **209110 0060**

#### Angle bracket WV 7

- blank
- Aluminium welded (10.8 kg)
- L220 x W145 x H670

Part no.: **209110 0070**

#### Angle bracket WV 8

- blank
- Aluminium welded (7.4 kg)
- L222 x W145 x H446

Part no.: **209110 0080**

#### Angle bracket WV 19

- blank
- Aluminium welded (2.5 kg)
- L150 x W221 x H300

Part no.: **209110 0190**

### matching cover plates



#### Cover plate for WV 2

- naturally anodised
- Aluminium sheet (0.8 kg)

Part no.: **209110 0021**

#### Cover plate for WV 3

- naturally anodised
- Aluminium sheet (1.15 kg)

Part no.: **209110 0031**

#### Cover plate for WV 5

- naturally anodised
- Aluminium sheet (1.20 kg)

Part no.: **209 110 0051**

#### Cover plate for WV 6

- naturally anodised
- Aluminium sheet (1.8 kg)

Part no.: **209110 0061**

#### Cover plate for WV 7

- naturally anodised
- Aluminium sheet (1.5 kg)

Part no.: **209110 0071**

#### Cover plate for WV 8

- naturally anodised
- Aluminium sheet (1 kg)

Part no.: **209110 0081**

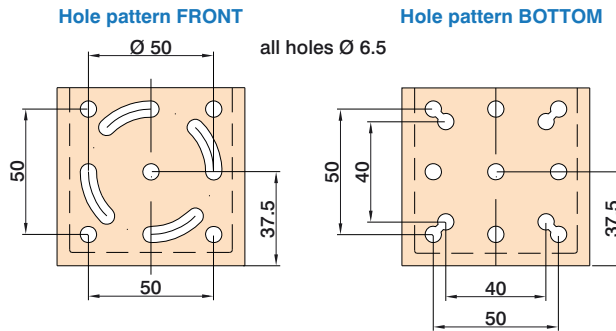
# Angle brackets

# Connectors

## Hole diagram

Angle bracket WV 1

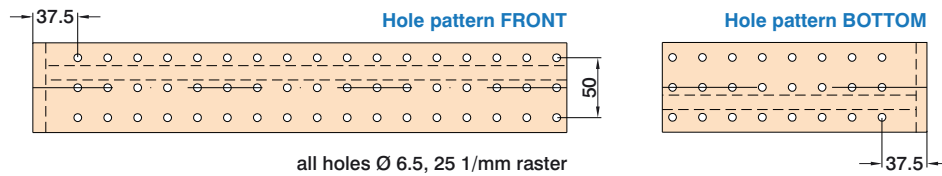
L 71 x W 75 x H 71 mm



## Hole diagram

Angle bracket WV 2

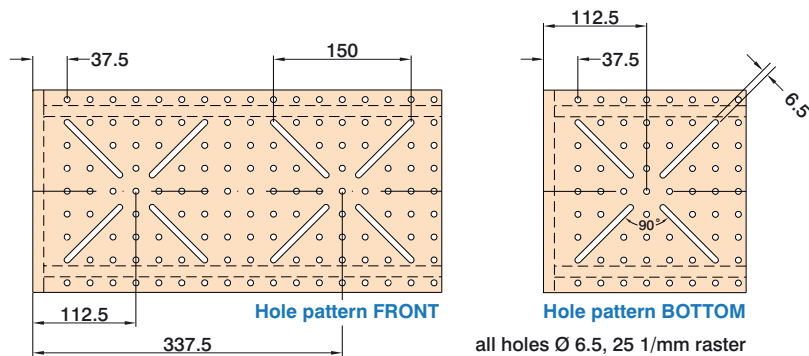
L 221 x W 75 x H 446 mm



## Hole diagram

Angle bracket WV 3

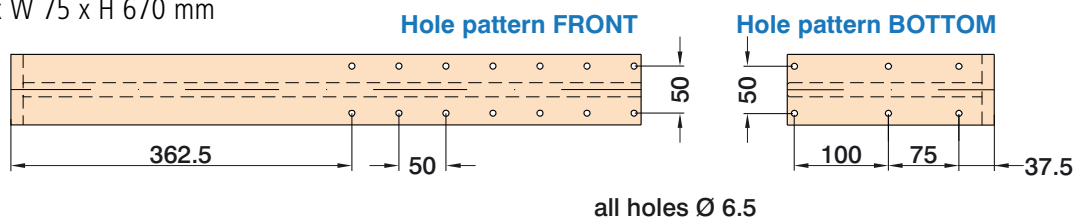
L 221 x W 221 x H 446 mm



## Hole diagram

Angle bracket WV 5

L 220 x W 75 x H 670 mm

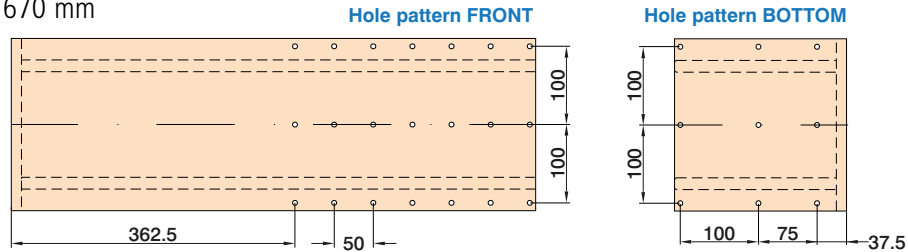


# Angle brackets

# Connectors

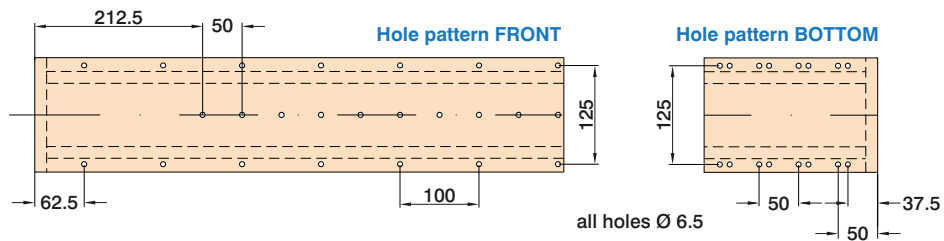
## Hole diagram

Angle bracket WV 6  
L 220 x W 220 x H 670 mm



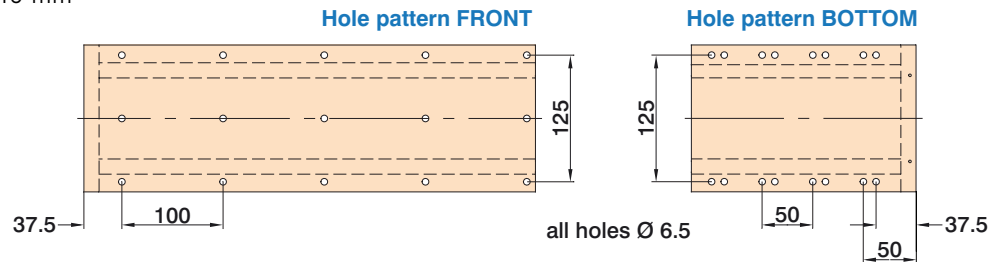
## Hole diagram

Angle bracket WV 7  
L 220 x W 145 x H 670 mm



## Hole diagram

Angle bracket WV 8  
L 222 x W 145 x H 446 mm



## Hole diagram

Angle bracket WV 19  
L 150 x W 221 x H 300 mm

