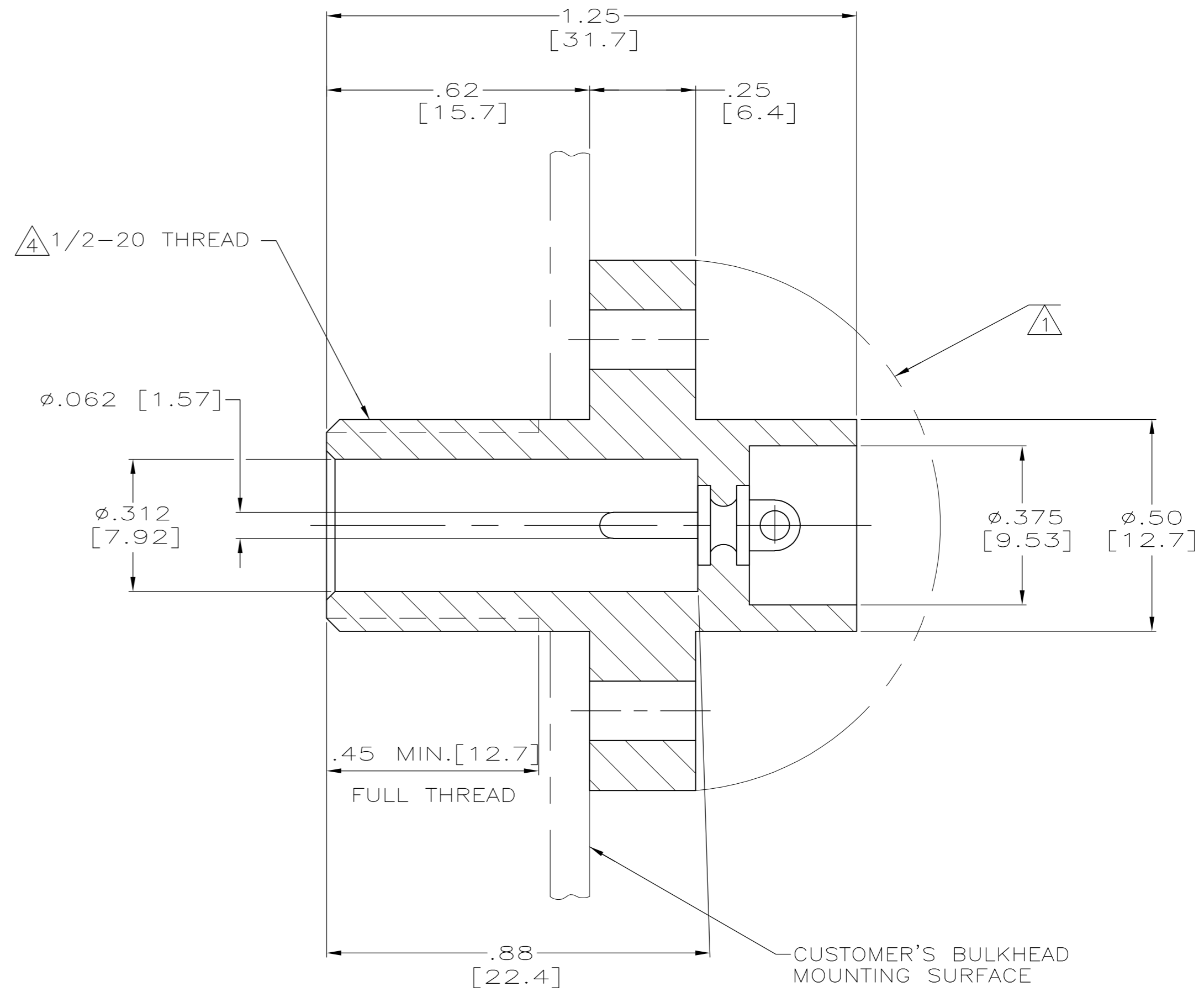
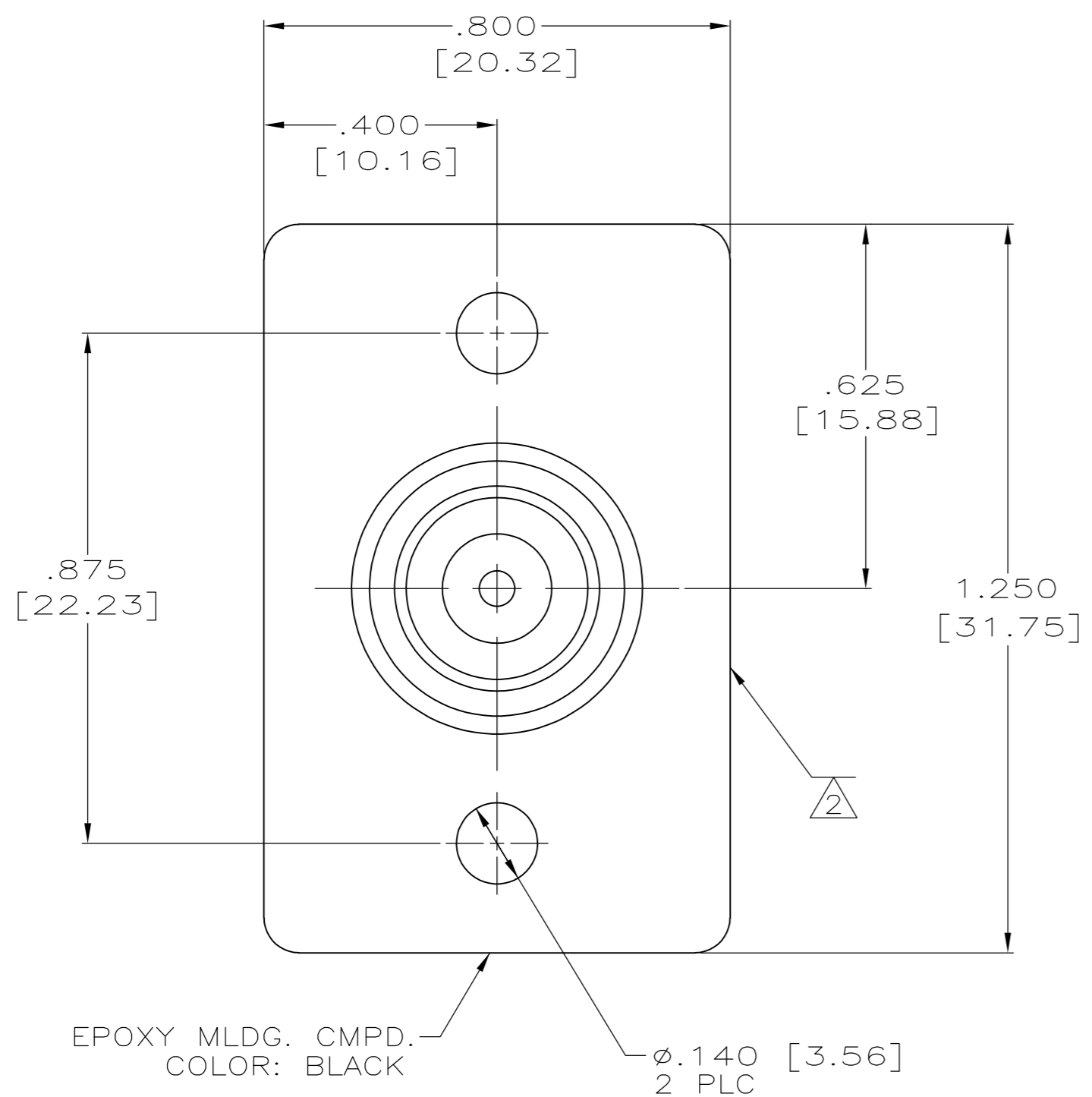


THIS DRAWING IS UNPUBLISHED. RELEASED FOR PUBLICATION - N/A .  
 © COPYRIGHT N/A BY TYCO ELECTRONICS CORPORATION. ALL INTERNATIONAL RIGHTS RESERVED.

LOC	DIST	REVISIONS					
DF	S0	P	LTR	DESCRIPTION	DATE	DWN	APVD
		B		REVISED PER ECO-09-010967	05JUN09	CT	DE



- ① CUSTOMER MUST PROTECT BACK END AGAINST ARC OVER & BREAKDOWN IF BULKHEAD & MOUNTING HARDWARE ARE METALLIC & AT GROUND POTENTIAL.
- ② MARKED PER MIL-STD-130.
- ③ THIS PART REQUIRES A MINIMUM AQL 0.65 TIGHTENED-LEVEL III INSPECTION PER MIL-STD 105E. INSPECTION SAMPLE IS TO BE SEPARATELY BAGGED OR IDENTIFIED. CERTIFICATE OF COMPLIANCE IS REQUIRED WITH DELIVERY OF PARTS.
- ④ PER FEDERAL STANDARD H-28, 3 WIRE METHOD. DIMENSION OVER WIRES TO BE .497-.510 [12.62-12.95].
- 5. RECEPTACLE TO MATE WITH ANY AMP LGH-1 LEAD ASSY.

③	RCPT ASSY (TIN-LEAD PLATED PIN)	1996751-1
REMARKS	DESCRIPTION	PART NO.

THIS DRAWING IS A CONTROLLED DOCUMENT.		DWN C.C.THOMAS 5-15-08	Tyco Electronics Corporation Harrisburg, Pa 17105-3608	
DIMENSIONS: INCHES		CHK D.EABY 5-15-08	NAME BULKHEAD RCPT ASSY LGH-1	
TOLERANCES UNLESS OTHERWISE SPECIFIED:		APVD D.EABY 5-15-08	PRODUCT SPEC	
0 PLC ± -		APPLICATION SPEC		
1 PLC ± -		WEIGHT -		
2 PLC ± .02[0.5]		SIZE A2 CAGE CODE 00779 C=1996751		
3 PLC ± .005[0.13]		DRAWING NO		
4 PLC ± -		RESTRICTED TO		
ANGLES ± -		SCALE 4:1 SHEET 1 of 1 REV B		
FINISH		CUSTOMER DRAWING		