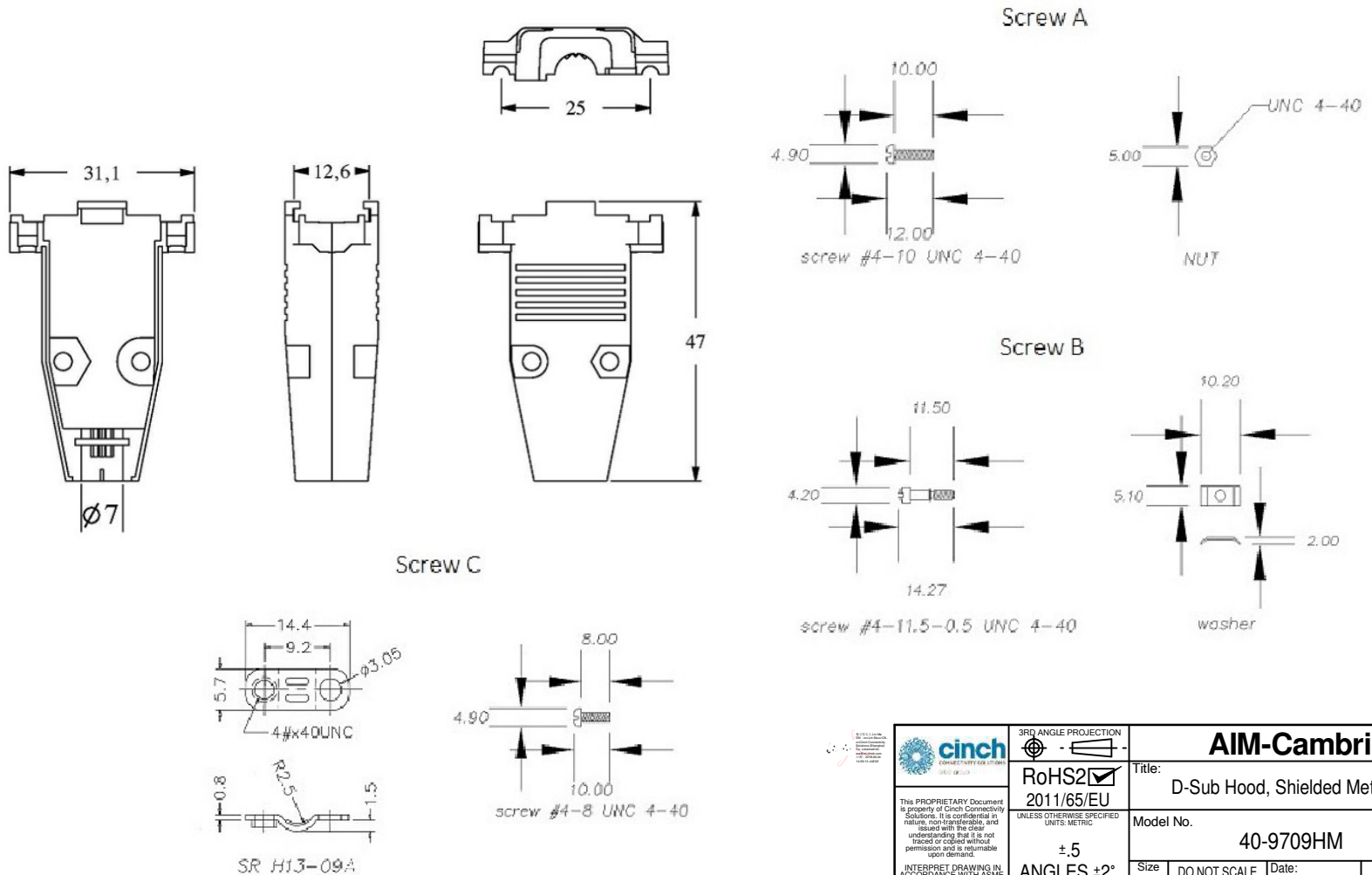




DESCRIPTION: D-SUB HOOD, SHIELDED METAL, 9 PINS
 PART NUMBER: 40-9709HM
 APPLICATION: D-SUB HOOD
 CRIMP TOOL: N/A
 IMPEDANCE: N/A
 FREQUENCY RANGE: N/A
 MATERIAL: ZINC ALLOY
 RoHS COMPLIANCE: YES
 TECHNICAL DETAIL: N/A
 ATTACHMENT: SCREW , NUT & SHIM



	3RD ANGLE PROJECTION 	AIM-Cambridge	
	RoHS2 2011/65/EU	Title: D-Sub Hood, Shielded Metal, 9 Pins	
<small>This PROPRIETARY Document is property of Cinch Connectivity Solutions. It is confidential in nature, non-transferable, and issued with the clear understanding that it is not traced or copied without permission and is returnable upon demand.</small> INTERPRET DRAWING IN ACCORDANCE WITH ASME Y14.5-2009.	<small>UNLESS OTHERWISE SPECIFIED UNITS: METRIC</small> ±.5 ANGLES ±2°	Model No. 40-9709HM	
Size A	DO NOT SCALE DRAWING	Date: 05/30/2018	Sheet 1 of 1