


**VS-PPC-C1-PC67-POBK**

Order No.: 1608155

<http://eshop.phoenixcontact.de/phoenix/treeViewClick.do?UID=1608155>Protective cover, IP67, to cover the contact insert in the RJ45 and  
SCRJ push-pull panel mounting frames

Commercial data	
GTIN (EAN)	 4 046356 159999
sales group	D512
Pack	1 pcs.
Customs tariff	39269097
Catalog page information	Page 195 (PC-2009)

## Product notes

WEEE/RoHS-compliant since:  
01/01/2008

<http://www.download.phoenixcontact.com>  
Please note that the data given here has been taken from the online catalog. For comprehensive information and data, please refer to the user documentation. The General Terms and Conditions of Use apply to Internet downloads.

Technical data	
<b>Mechanical characteristics</b>	
Insertion/withdrawal cycles	≥ 500
Color	black
Ambient temperature (operation)	-40 °C ... 70 °C

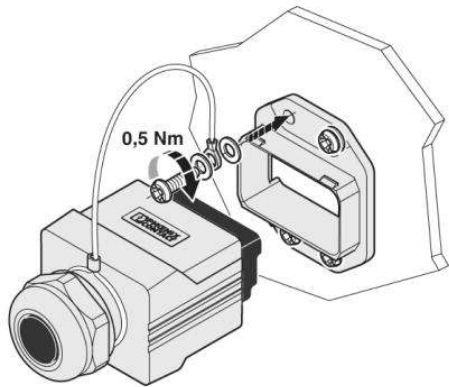
**Material data**

Inflammability class acc. to UL 94	V0
Housing material	PA-GF
Material	Plastic
Material, O-ring	NBR
Material, housing intermediate seal	NBR
Degree of protection	IP65/67

**Diagrams/Drawings**

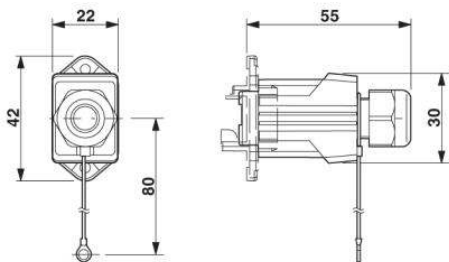
Explosion drawing

Mounting the protective cover



Dimensioned drawing

Protective cover for the Push-Pull panel mounting frame



**Address**

PHOENIX CONTACT Deutschland GmbH  
Flachmarktstr. 8  
32825 Blomberg, Germany  
Phone +49 5235 3 12000  
Fax +49 5235 3 41200  
<http://www.phoenixcontact.de>



© 2011 Phoenix Contact  
Technical modifications reserved;