

17.5	15.6	19.1	51338-0840	80
9.5	7.6	11.1	51338-0440	40
5.5	3.6	7.1	51338-0240	20
C	B	A	EMBOSSED TAPE PKG. ORDER No. オーダー番号	CKT.
CONNECTOR SERIES No.			51338-***39	

GENERAL TOLERANCES (UNLESS SPECIFIED)				
0.25	UNDER	UNDER	± 0.03	
0.25	OVER	0.5	UNDER	± 0.05
0.5	OVER	1.0	UNDER	± 0.1
1.0	OVER	10	UNDER	± 0.2
10	OVER	30	UNDER	± 0.25
30	OVER			± 0.3
ANGULAR		± 3°		

THIS DRAWING CONTAINS INFORMATION THAT IS PROPRIETARY TO MOLEX ELECTRONIC TECHNOLOGIES, LLC AND SHOULD NOT BE USED WITHOUT WRITTEN PERMISSION

SCALE: DIMENSION UNITS: mm NTS

GENERAL TOLERANCES (UNLESS SPECIFIED): ANGULAR TOL ± °

CURRENT REV DESC:

EC NO: 739909  
 DRWN: RAJMOK  
 CHK'D: HSHIMOMYAMA  
 APPR: YNAITO

INITIAL REVISION:  
 DRWN: YISHIDA  
 APPR: KMORIKAWA

2023/02/21  
 2023/02/23  
 2023/02/23

2015/01/15  
 2015/02/18

THIRD ANGLE PROJECTION

DRAFT WHERE APPLICABLE MUST REMAIN WITHIN DIMENSIONS

DRAWING: A3-SIZE

SERIES: 51338

MATERIAL NUMBER: SEE TABLE

CUSTOMER: GENERAL MARKET

DOCUMENT NUMBER: SD-51338-007

DOC TYPE: PSD

DOC PART: 001

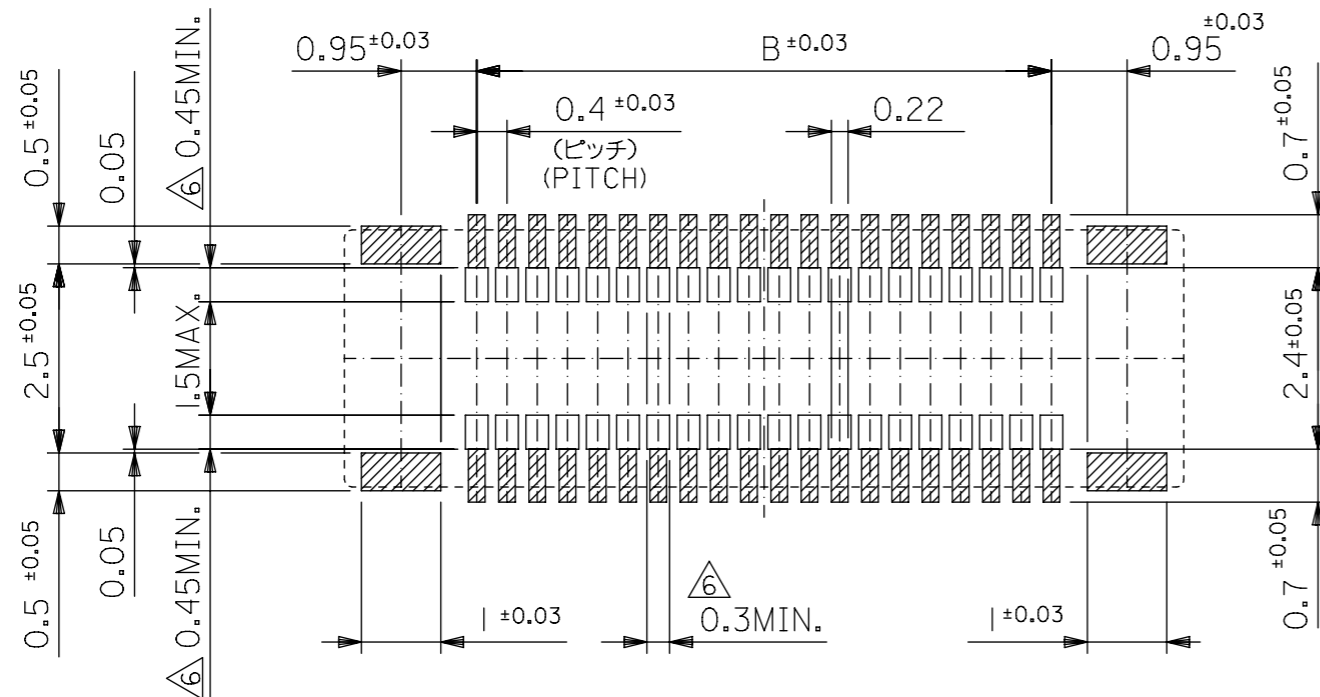
REVISION: A

SHEET NUMBER: 1 OF 2

**molex**

0.4 B-TO-B REC ASSY  
 HGT=1.5 J-BEND TAIL -LEAD FREE-

PRODUCT CUSTOMER DRAWING



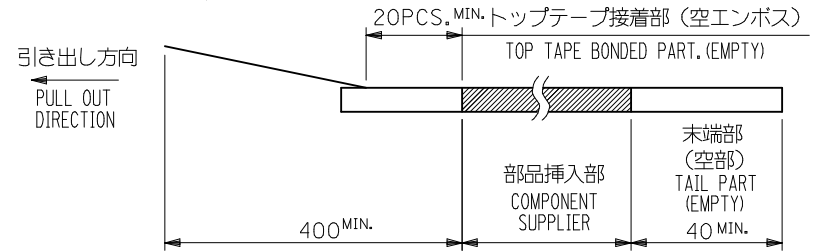
注記 NOTES:

1. 使用材料 MATERIAL  
 ハウジング: 液晶ポリマー (LCP) ガラス充填 UL94V-0 (黒)  
 HOUSING: LIQUID CRYSTAL POLYMER (GLASS FILLED)  
 UL94V-0 (COLOR: BLACK)  
 ターミナル: リン青銅 (t=0.15)  
 TERMINAL: PHOSPHOR BRONZE (t=0.15)  
 金具: リン青銅 (t=0.15)  
 FITTING NAIL: PHOSPHOR BRONZE (t=0.15)
2. メッキ仕様 PLATING  
 ターミナル TERMINAL  
 コンタクト部: 部分金めっき (0.381µm以上)  
 CONTACT AREA: SEPARATED GOLD PLATING  
 (0.381 MICROMETER MINIMUM)  
 テール部: 部分金めっき  
 SOLDER TAIL AREA: SEPARATED GOLD PLATING  
 下地メッキ: ニッケルメッキ 1.5マイクロメートル以上  
 UNDER PLATING: NICKEL 1.5 MICROMETER MINIMUM  
 \*コンタクト部とテール部はニッケルメッキによって分断されている金メッキです。  
 DIVIDE INTO PARTS THE GOLD PLATING OF THE CONTACT  
 AND THE TAIL PART BY THE NICKEL PLATING.  
 金具 FITTING NAIL  
 錫メッキ 1.0 マイクロメートル以上  
 TIN PLATING 1.0 MICROMETER MINIMUM  
 下地メッキ: ニッケルメッキ 1.0 マイクロメートル以上  
 UNDER PLATING: NICKEL 1.0 MICROMETER MINIMUM
3. (全極数/2) = 偶数の場合に適用。  
 APPLY FOR (CIRCUIT/2) = EVEN.
4. 嵌合相手: 55909シリーズ  
 MATE WITH: 55909 SERIES.
5. テール平坦度は、0.08以下  
 テール及び金具の平坦度は、0.1以下  
 TAIL COPLANARITY TO BE 0.08 MAXIMUM  
 TAIL AND FITTING NAIL COPLANARITY TO BE 0.1 MAXIMUM
6. 同一回路以外のパターン書込み禁止範囲を示す。  
 NO PRINT CIRCUIT AREA OTHER THAN THE SAME CIRCUIT.

GENERAL TOLERANCES (UNLESS SPECIFIED)				DIMENSION UNITS	SCALE	THIS DRAWING CONTAINS INFORMATION THAT IS PROPRIETARY TO MOLEX ELECTRONIC TECHNOLOGIES, LLC AND SHOULD NOT BE USED WITHOUT WRITTEN PERMISSION			
0.25	UNDER	UNDER	± 0.03	mm	NTS	CURRENT REV DESC:  <b>molex</b>  0.4 B-TO-B REC ASSY HGT=1.5 J-BEND TAIL -LEAD FREE-  PRODUCT CUSTOMER DRAWING  EC NO: 739909 DRWN: RAJMOK 2023/02/21 CHK'D: HSHIMOYAMA 2023/02/23 APPR: YNAITO 2023/02/23 INITIAL REVISION: DRWN: YSHIDA 2015/01/15 APPR: KMORIKAWA 2015/02/18 DRAFT WHERE APPLICABLE MUST REMAIN WITHIN DIMENSIONS THIRD ANGLE PROJECTION DRAWING A3-SIZE SERIES 51338 MATERIAL NUMBER SEE SHEET-1 CUSTOMER GENERAL MARKET SHEET NUMBER 2 OF 2			
0.25	OVER	0.5	UNDER	± 0.05	GENERAL TOLERANCES (UNLESS SPECIFIED)				
0.5	OVER	1.0	UNDER	± 0.1	ANGULAR TOL ± °				
1.0	OVER	10	UNDER	± 0.2	4 PLACES ±				
10	OVER	30	UNDER	± 0.25	3 PLACES ±				
30	OVER			± 0.3	2 PLACES ±				
ANGULAR			± 3°		1 PLACE ±				
					0 PLACES ±				

NOTES

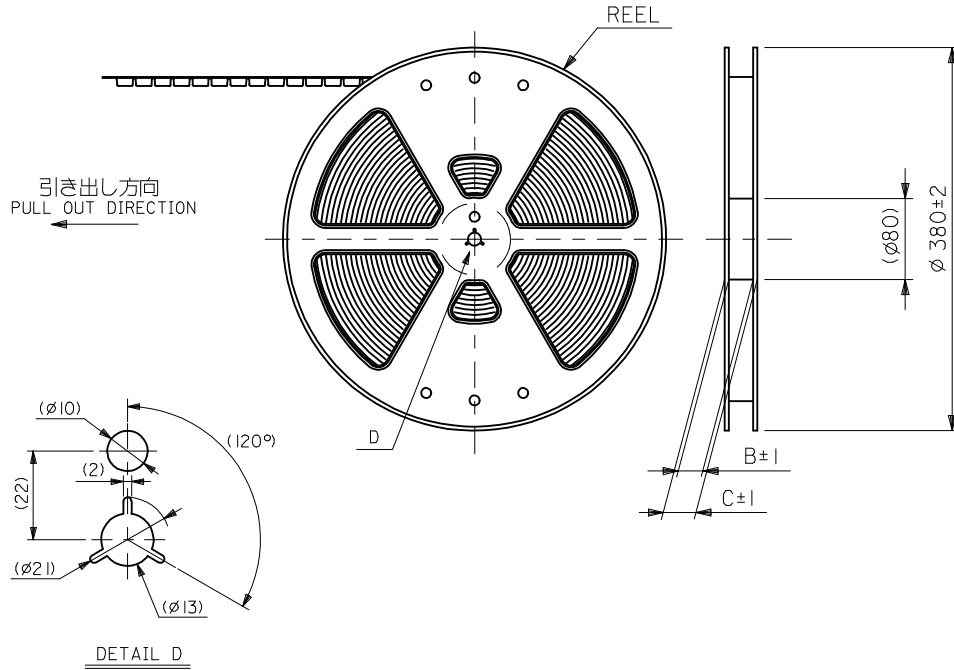
- 製品詳細寸法については製品単体図面を参照下さい。  
RE DETAILED DIMENSION, SEE PRODUCT DRAWING.
- 梱包数量：2500個/リール  
NUMBER OF CONNECTORS : 2500PCS/REEL
- リードテープ長さ LEAD TAPE LENGTH



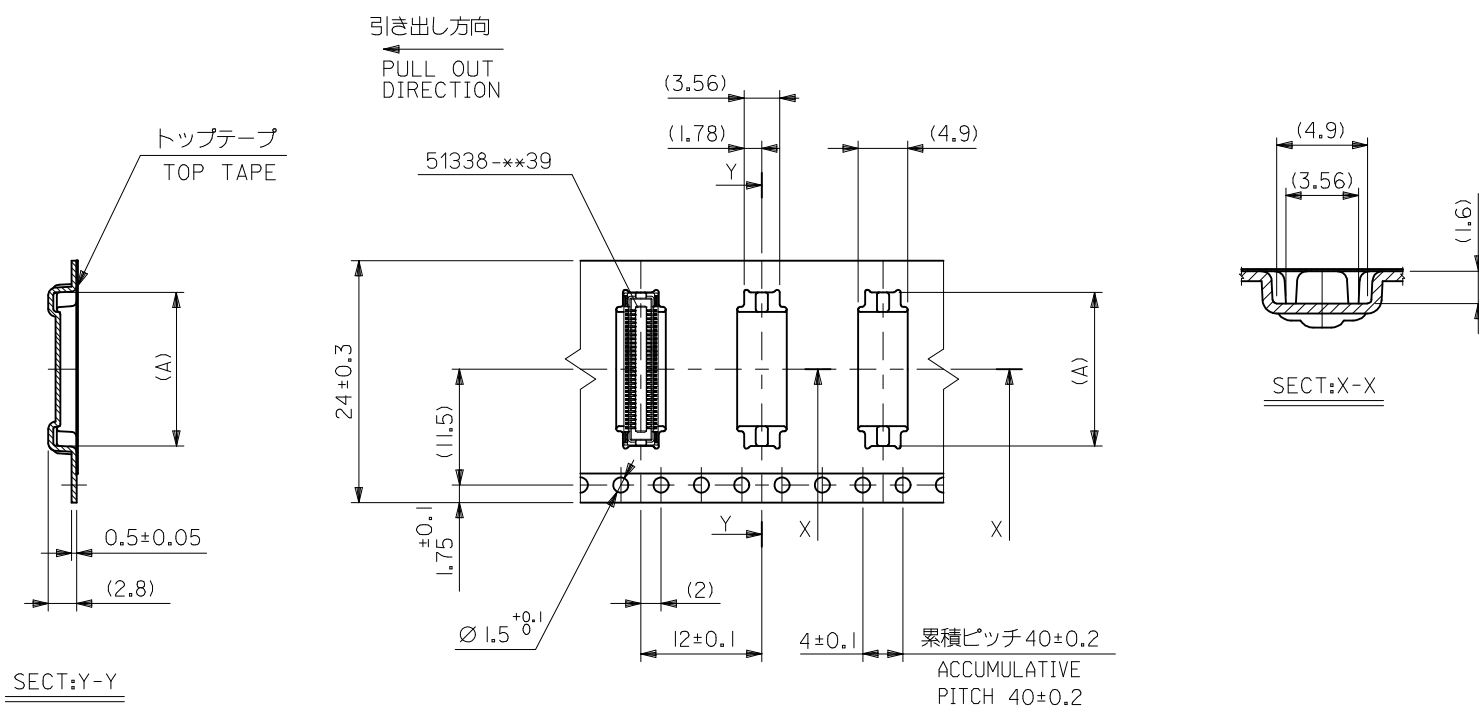
- トップテープの剥離強度については、IEC60286-3に準拠。  
TOP TAPE PEEL FORCE IS DEFINED BY IEC60286-3.

- 材料  
キャリアテープ (CARRIER TAPE) : ポリプロピレン (POLYPROPYLENE)  
トップテープ (TOPTAPE) : PET, PE, PEF  
リール (REEL) : ポリスチレン (PS) <リサイクル材を含む>  
POLYSTYRENE (PS) <RECYCLE MATERIAL CONTAINED>

- ELV 及び RoHS 適合品。  
ELV AND RoHS COMPLIANT.



RELEASED EC NO: J2015-0916 DRWN: YISHIDA 2015/01/15 CHKD: TASAKAWA 2015/01/15 APPR: KMORIKAWA 2015/02/18	GENERAL TOLERANCES (UNLESS SPECIFIED)			DIMENSION STYLE MM ONLY		SCALE ---	DESIGN UNITS METRIC	THIRD ANGLE PROJECTION
	0.25 UNDER	UNDER	±0.03	DRAWN BY	DATE	TITLE		
	0.25 OVER	0.5 UNDER	±0.05	YISHIDA	2015/01/15	0.4 B-TO-B CONN. REC ASSY(HGT=1.5) EMBSTP PKG		
	0.5 OVER	1.0 UNDER	±0.1	CHECKED BY	DATE			
	1.0 OVER	10 UNDER	±0.2	TASAKAWA	2015/01/15			
	10 OVER	30 UNDER	±0.25	APPROVED BY	DATE			
30 OVER		±0.3	KMORIKAWA	2015/02/18	MATERIAL NO.	DOCUMENT NO.	SHEET NO.	
ANGULAR	±3 °		SEE CHART		SD-51338-008		1 OF 3	
DRAFT WHERE APPLICABLE MUST REMAIN WITHIN DIMENSIONS				SIZE A3	THIS DRAWING CONTAINS INFORMATION THAT IS PROPRIETARY TO MOLEX INCORPORATED AND SHOULD NOT BE USED WITHOUT WRITTEN PERMISSION			

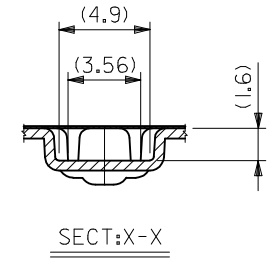
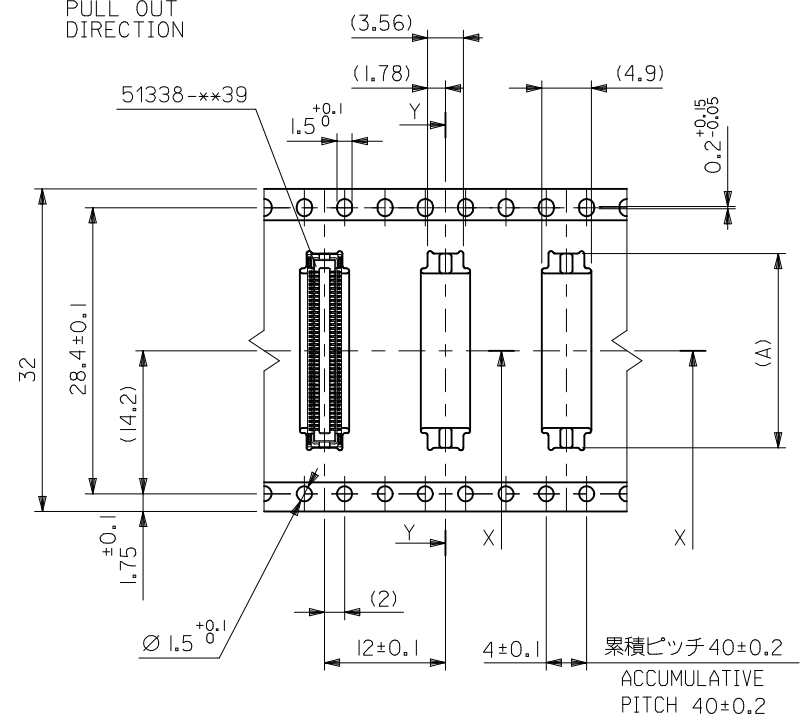
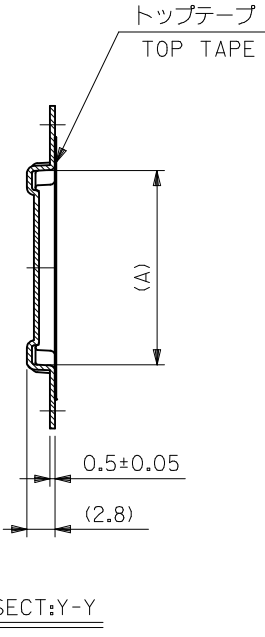


24mm幅キャリアテープ  
24mm WIDTH CARRIER TAPE

24	29.4	25.4	11.26	51338-0440	40
			7.26	51338-0240	20
キャリアテープ幅 CARRIER TAPE WIDTH	C	B	(A)	EMBOSSED PACKAGE ORDER NO. オ-ダ-番号	CKT.

SEE SHEET 1 OF 3 EC NO: J2015-0916 DRWN: YISHIDA 2015/01/15 CHKD: TASAKAWA 2015/01/15 APPR: KMORIKAWA 2015/02/18	GENERAL TOLERANCES (UNLESS SPECIFIED)		DIMENSION STYLE MM ONLY		SCALE ---	DESIGN UNITS METRIC	THIRD ANGLE PROJECTION
	0.25 UNDER	UNDER	±0.03	DRAWN BY YISHIDA	DATE 2015/01/15	TITLE 0.4 B-TO-B CONN. REC ASSY(HGT=1.5) EMBSTP PKG	
	0.25 OVER	0.5 UNDER	±0.05	CHECKED BY TASAKAWA	DATE 2015/01/15		
	0.5 OVER	1.0 UNDER	±0.1	APPROVED BY KMORIKAWA	DATE 2015/02/18		
1.0 OVER	10 UNDER	±0.2	MATERIAL NO.		DOCUMENT NO.	SHEET NO.	
10 OVER	30 UNDER	±0.25	SEE CHART		SD-51338-008	2 OF 3	
30 OVER		±0.3	THIS DRAWING CONTAINS INFORMATION THAT IS PROPRIETARY TO MOLEX INCORPORATED AND SHOULD NOT BE USED WITHOUT WRITTEN PERMISSION				
ANGULAR	±3 °						
DRAFT WHERE APPLICABLE MUST REMAIN WITHIN DIMENSIONS							

引き出し方向  
PULL OUT  
DIRECTION



32mm幅キャリアテープ  
32mm WIDTH CARRIER TAPE

32	37.4	33.4	19.26	51338-0840	80
キャリアテープ幅 CARRIER TAPE WIDTH	C	B	(A)	MATERIAL NO.	極数 CKT.

SEE SHEET 1 OF 3 EC NO.: J2015-0916 DRWN: YISHIDA 2015/01/15 CHKD: TASAKAWA 2015/01/15 APPR: KMORIKAWA 2015/02/18	GENERAL TOLERANCES (UNLESS SPECIFIED)		DIMENSION STYLE MM ONLY		SCALE ---	MODEL NO. 51338-**39
	0.25 UNDER	UNDER	±0.03	DRAWN BY YISHIDA	DATE 2015/01/15	TITLE 0.4 B-TO-B REC ASSY EMBSTP PKG
	0.25 OVER	0.5 UNDER	±0.05	CHECKED BY TASAKAWA	DATE 2015/01/15	
	0.5 OVER	1.0 UNDER	±0.1	APPROVED BY KMORIKAWA	DATE 2015/02/18	DOCUMENT NO. SD-51338-008
	1.0 OVER	10 UNDER	±0.2	MATERIAL NO.	SHEET NO. 3 OF 3	
10 OVER	30 UNDER	±0.25	SEE CHART			
30 OVER		±0.3	DRAFT WHERE APPLICABLE MUST REMAIN WITHIN DIMENSIONS		THIS DRAWING CONTAINS INFORMATION THAT IS PROPRIETARY TO MOLEX INCORPORATED AND SHOULD NOT BE USED WITHOUT WRITTEN PERMISSION	
ANGULAR	±3 °		SIZE A3			