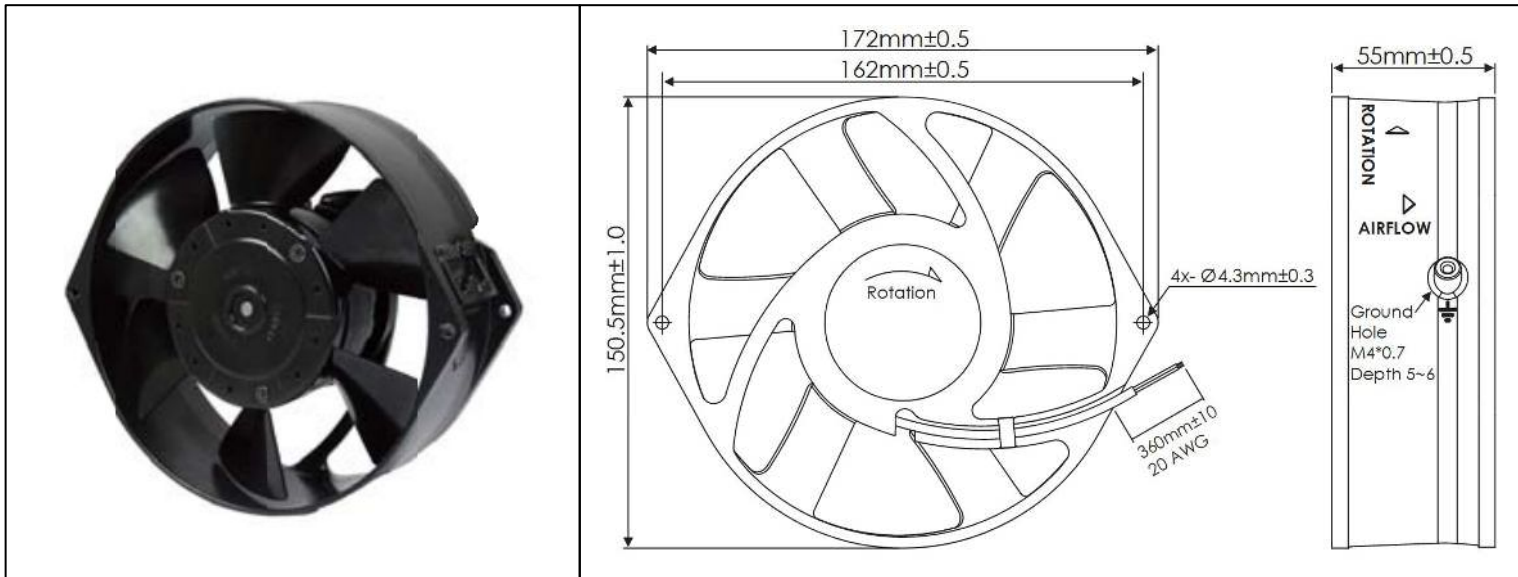


OA162AP All Metal Series



AC Fans - 115, 230V
172mm x 150mm x 55mm
(6.8" x 5.9" x 2.2")



Frame	Die Cast Aluminum, Black Finish	Operating Temperature -30°C ~ +80°C Storage Temperature -40°C ~ +100°C Life Expectancy 50,000 Hours (L10 at 55°C) Available Options Terminal Power Connection Alarm Output Tachometer Output Weight: 2.7 lbs.	
Impeller	Steel Alloy, Black Finish		
Connection	2x Lead Wires, 20 AWG		
Motor	AC, Capacitor Induction, Single Phase, Impedance Protected, Thermally Protected, IP55		
Bearing System	Ball Bearings		
Dielectric Strength	1,500VAC/min, <5mA		
Insulation Resistance	≥10MΩ @ 500 VDC		

Part Number	Rated Voltage (Volts AC)	Voltage Range (Volts AC)	Frequency (Hertz)	Input Power (Watts)	Rated Speed (RPM)	Max Airflow (CFM)	Noise Level (dBA)	Max Static Pressure (\"H ₂ O)
OA162AP-11-1WB1855	115	100 ~ 125	50 / 60	26 / 35	2725 / 3125	209 / 248	58.1	0.55 / 0.58
OA162AP-11-2WB1855	115	100 ~ 125	50 / 60	22 / 20	2280 / 2390	174 / 189	43.2	0.45 / 0.43
OA162AP-11-3WB1855	115	100 ~ 125	50 / 60	18 / 16	1485 / 1570	113 / 127	32.3	0.32 / 0.29
OA162AP-22-1WB1855	230	200 ~ 250	50 / 60	26 / 35	2725 / 3125	209 / 248	58.1	0.55 / 0.58
OA162AP-22-2WB1855	230	200 ~ 250	50 / 60	22 / 20	2280 / 2390	174 / 189	43.2	0.45 / 0.43
OA162AP-22-3WB1855	230	200 ~ 250	50 / 60	18 / 16	1485 / 1570	113 / 127	32.3	0.32 / 0.29