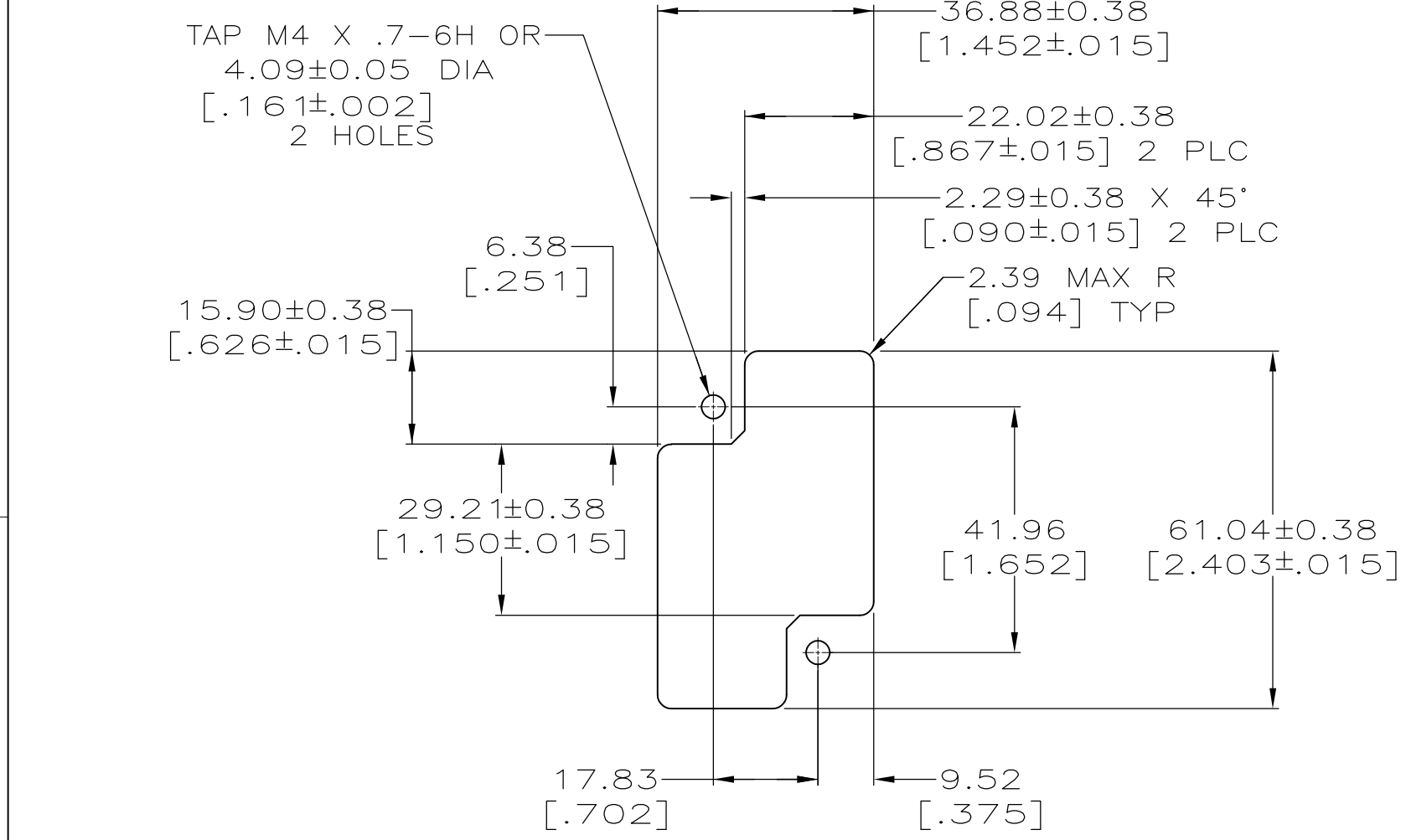


- 208210 MATES WITH 208209.
- MOUNTING SCREW INFORMATION SEE 208211.
- 208210-1 WILL BE MOLDED WITH AMP PART NUMBER 208210-2 SINCE IT IS AN INK STAMPED VERSION OF 208210-2.



SUGGESTED PANEL CUTOUT

208210-5	-	POLYESTER, BLUE	208210-5
208210-2	-	POLYESTER, BLACK	208210-2
208210-2 Δ	113P10188	POLYESTER, BLACK	208210-1
MOLDED PART NO	CUST IDENT	MATERIAL	PART NO

THIS DRAWING IS A CONTROLLED DOCUMENT.		DWN R. SHIREY 09/05/91	STE TE Connectivity	
DIMENSIONS: MM [INCHES]		CHK R. STONE 09/23/91		
TOLERANCES UNLESS OTHERWISE SPECIFIED:		APVD A. TRAVIS 09/23/91	NAME SOCKET HOUSING, 19 POSN, METRIMATE	
0 PLC ± -		PRODUCT SPEC -	SIZE CAGE CODE DRAWING NO RESTRICTED TO	
1 PLC ± -		APPLICATION SPEC 114-10039	A2 00779 C-208210	
2 PLC ± 0.13 [.005]		WEIGHT -	SCALE 1:1 SHEET 1 OF 1 REV K1	
3 PLC ± -		FINISH -	CUSTOMER DRAWING	
4 PLC ± -				
ANGLES ± 1°				
MATERIAL SEE TABLE				