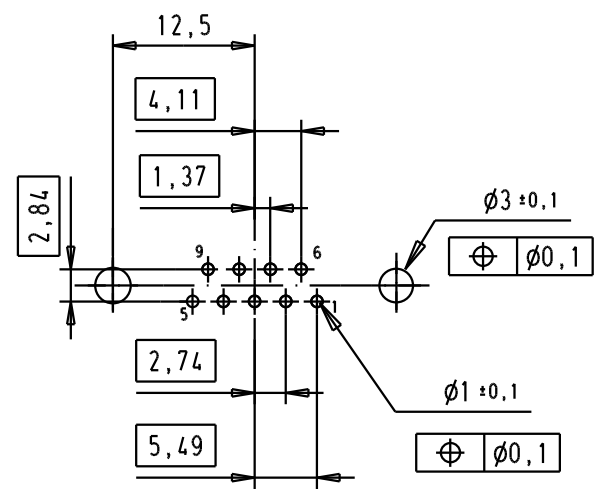
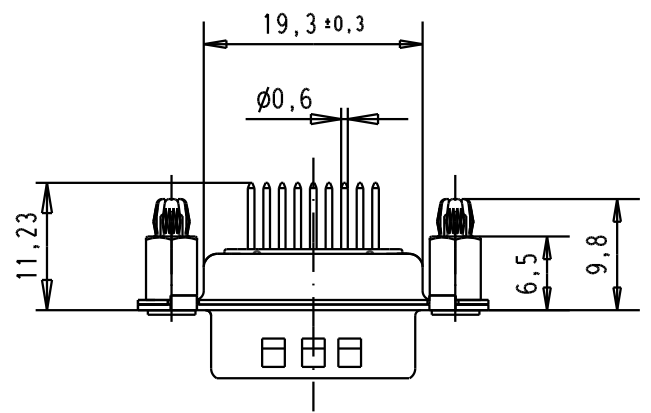


SPECIFICATION

Mating Cycles	500
Filter type	C
Capacitance	1000pf ± 20%
Working Voltage	100v
Current Rating	7.5A
Insulation Resistance	>1GΩ

FREQUENCY (MHz)	ATTENUATION (dB)
5	1dB
10	3dB
50	12dB
100	20dB
500	34dB
1000	30dB

PCB Layout, Component side
PCB thickness 1,6 mm



					Dat.	Name	<p>All Dim. in mm Orig. Size DIN A 4</p>	D-Sub, male, straight, 9 Poles, solder pins, tin plated shell with dimples, spacer nuts and board-locks	Mo?Mslab/ Scale 1.5:1	
					Detail.	8-JUL-02				CV
					Insp.					
					Stand.					
09641227236	M3		33241	14/10/05	JMDR	HARTING EURL F-95972 Paris			TB 0964122723x	Blatt/ Page 2 / 3
09641227235	UNC 4-40		31058	8-JUL-02	CV					
Part number	Nut thread		Mod.	Dat.	Name					
							Sub.			