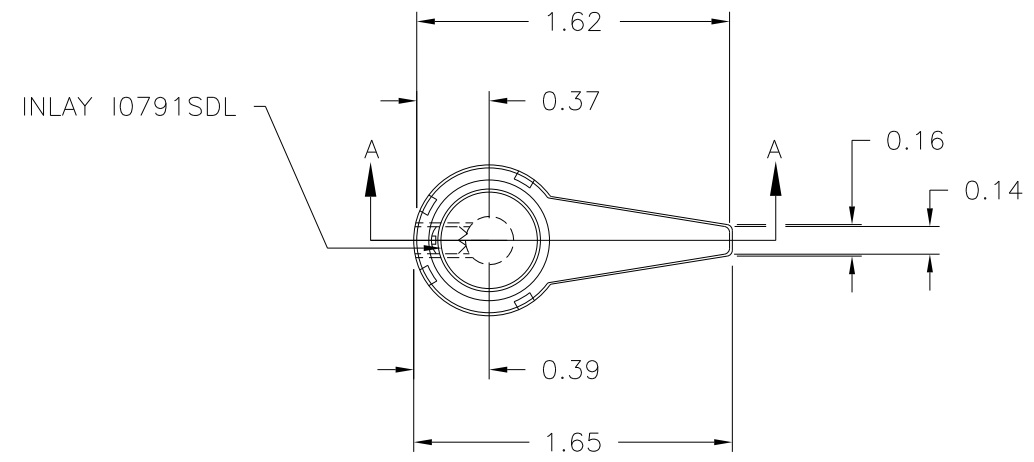
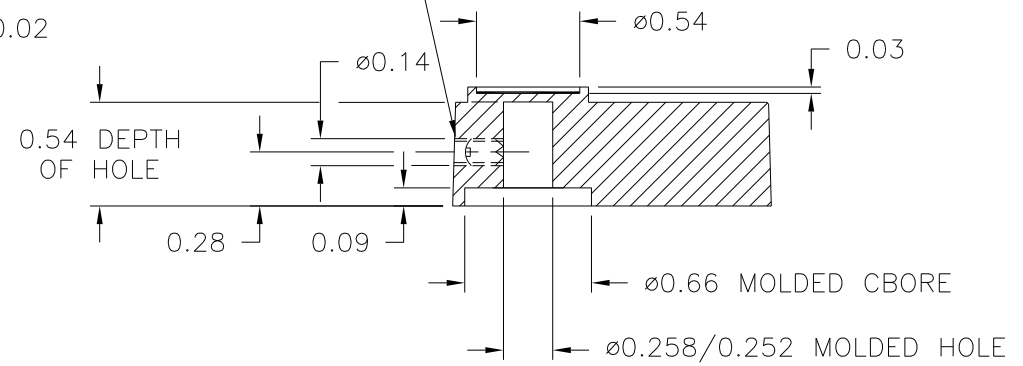
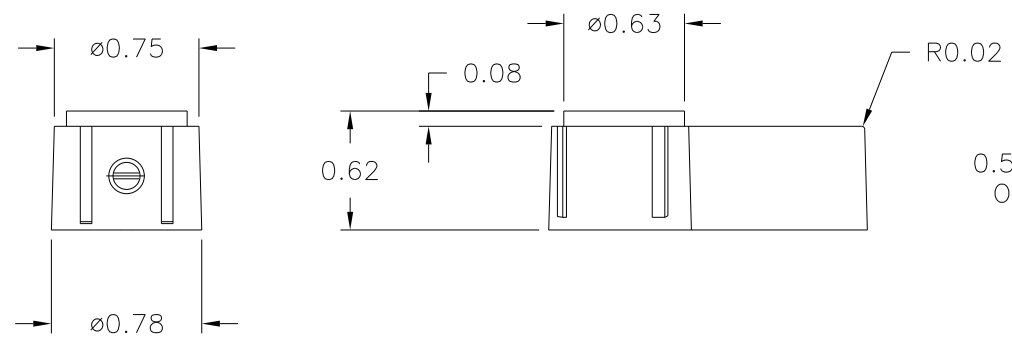


P/N	1214BE
BASE PART	1214-03
SET SCREW	I0357
INLAY	I0791SDL



USE #28 DRILL ( $\phi 0.140/0.136$ ), 8-32 TAP  
8-32 THREAD X 1/4 LG. SLOTTED TYPE  
SET SCREW I0357 (1) REQUIRED

SECTION A-A



(A)  
MATERIAL: #4311 PHENOLIC (B41)  
COLOR: BLACK

TOLERANCES: UNLESS OTHERWISE SPECIFIED	DO NOT SCALE DRAWING			
DECIMALS: X.XXX ± .005 X.XX ± .015	MM: X.XX ± 0.15MM X.X ± 0.4MM	A	WAS G.P. PHENOLIC (B11)	JAM 4/11/16
FRACTIONS ± 1/64	ANG. ± 1°	-	UPDATED/HAD TOOLBOX	JAM 6/1/00
CHANGES				