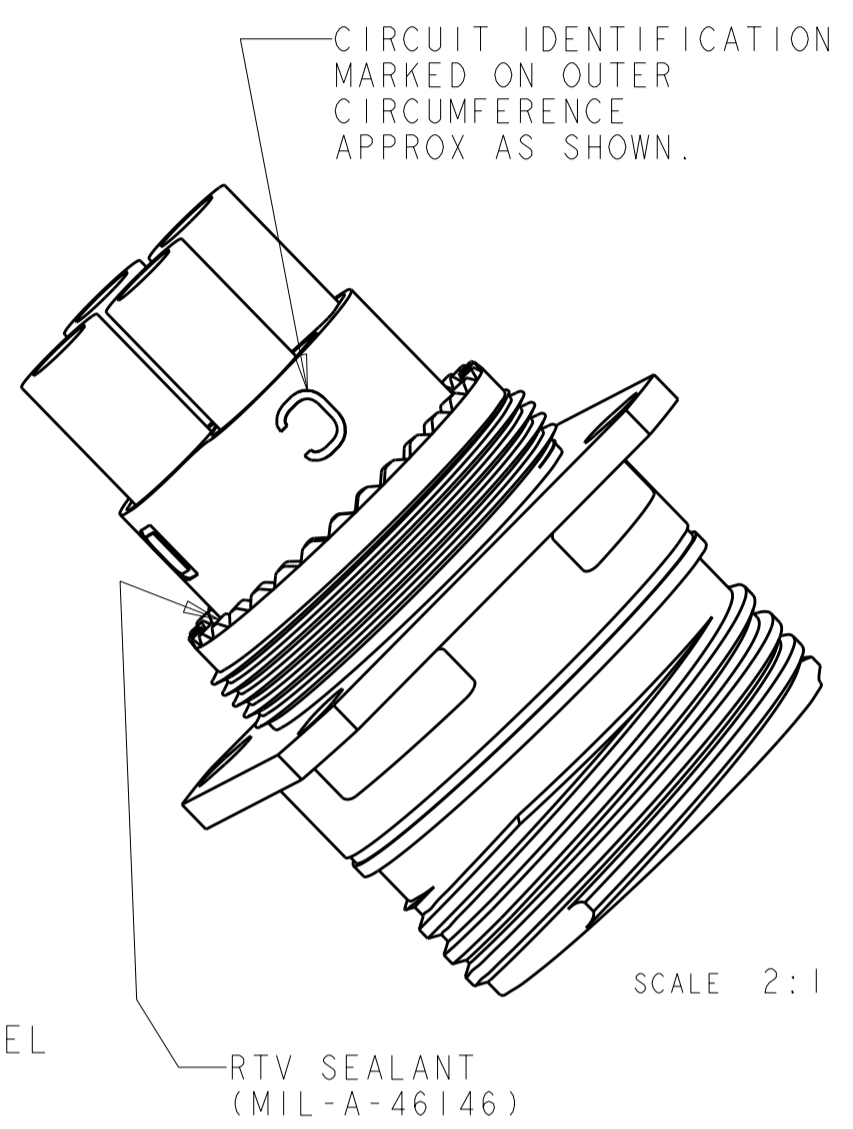
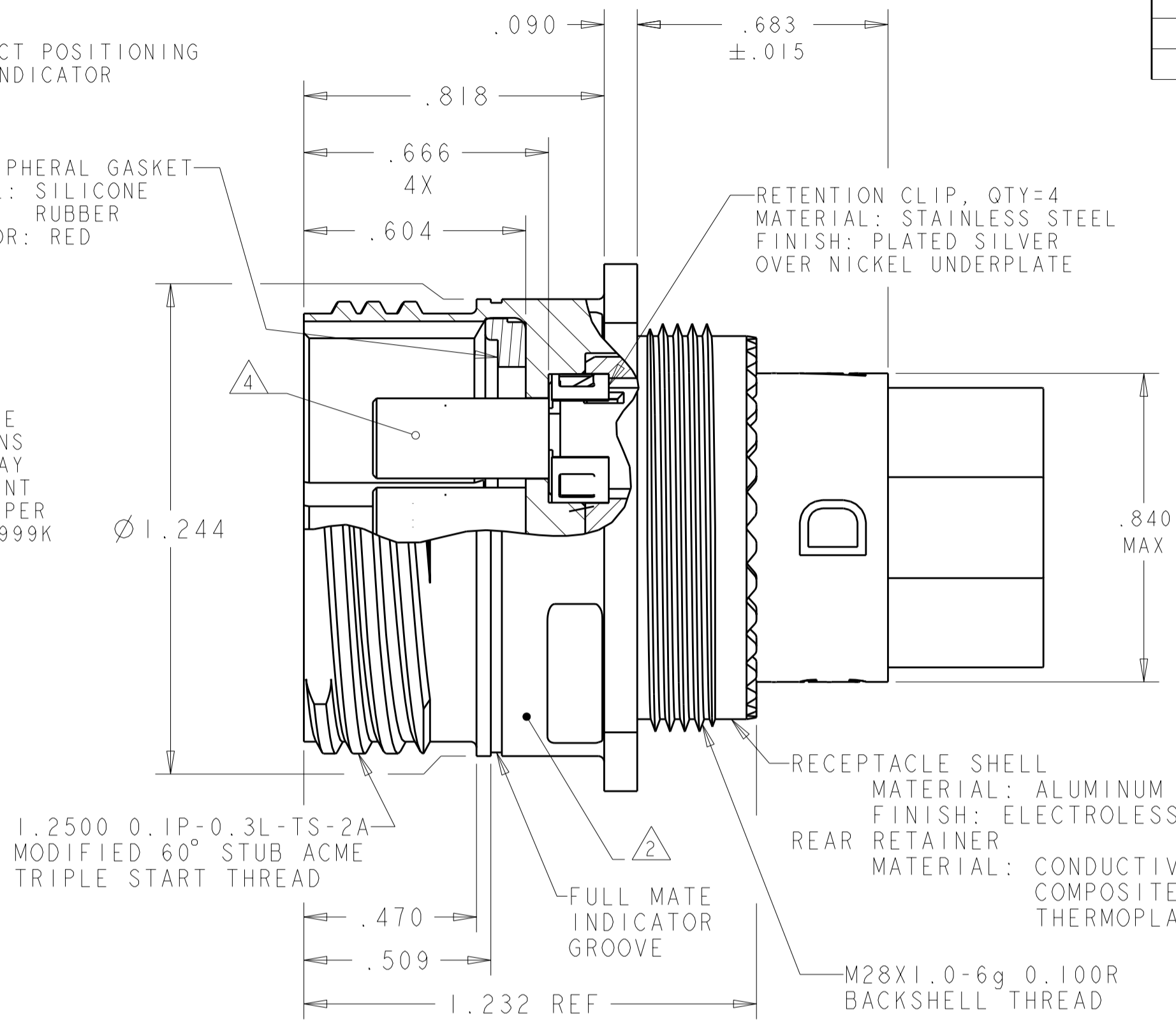
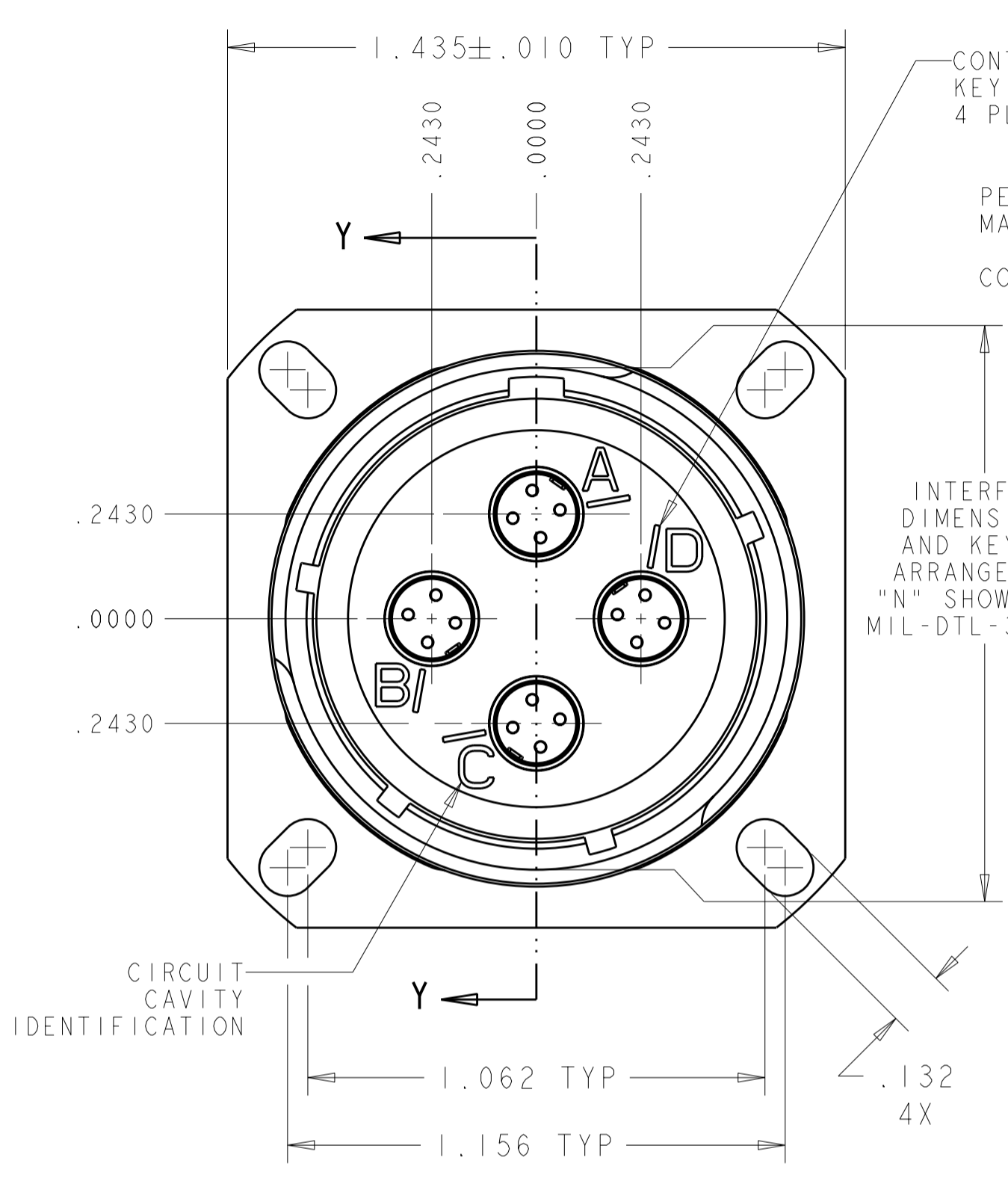


THIS DRAWING IS UNPUBLISHED. RELEASED FOR PUBLICATION 20
 © COPYRIGHT 20 BY TYCO ELECTRONICS CORPORATION. ALL RIGHTS RESERVED.

LOC	DIST	REVISIONS					
DF	A5	P	LTR	DESCRIPTION	DATE	DWN	APVD
		C		REV PER ECO 10-001527	1-29-10	CT	DM



SECTION Y-Y

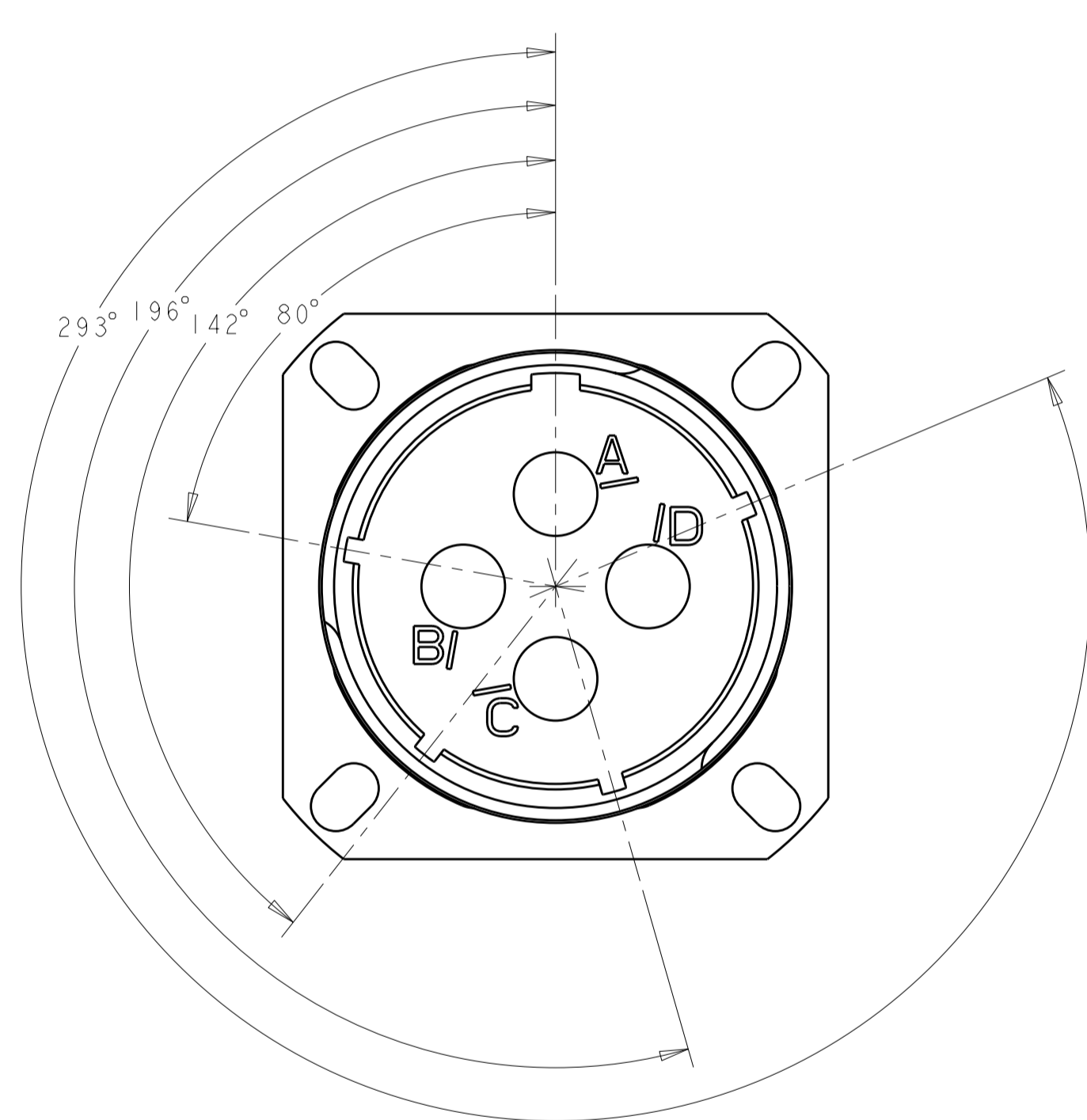
- THIS CONNECTOR ACCEPTS TYCO ELECTRONICS QUADRAX PIN ASSEMBLY; PART NUMBER 1445692-3.
- PART IS MARKED WITH CUSTOMER PART NO. (SEE TABLE, TYCO ELECTRONICS LOGO OR TE, TE CAGE CODE (00779) AND DATE CODE.
- TO CALCULATE WEIGHT OF PARTIALLY POPULATED ASSEMBLY:
 QUADRAX CONTACT WITH SEAL BOOT = 4.0 GRAMS
 QUADRAX EMPTY CAVITY SEAL PLUG = 2.5 GRAMS
 CONNECTOR ASSEMBLY, UNPOPULATED = SEE TABLE
- CONTACTS ARE INCLUDED UNASSEMBLED FOR 2000517-1, -2, & -3.
- THE CONNECTOR QUALIFICATION WAS COMPLETED PER TYCO ELECTRONICS 108-2199. QUADRAX CONTACTS ARE QUALIFIED PER 108-2131. REFERENCE TEST REPORTS ARE TYCO ELECTRONCS 501-660 FOR THE CONNECTOR AND 501-574 FOR THE CONTACTS WHICH ARE THE SAME AS ARINC 600-13, DRAFT 2 OF SUPPLEMENT 14 (AIR TRANSPORT AVIONICS EQUIPMENT INTERFACES).

1811300-6	27.5	----	MA-CR0001-R19-PB	B	2000517-6
1811300-5	27.5	----	MA-CR0001-R19-PA	A	2000517-5
1811300-4	27.5	----	MA-CR0001-R19-PN	N	2000517-4
1811300-3	43.5	QTY = 4 ⁴	MA-CR0001-R19-PB	B	2000517-3
1811300-2	43.5	QTY = 4 ⁴	MA-CR0001-R19-PA	A	2000517-2
1811300-1	43.5	QTY = 4 ⁴	MA-CR0001-R19-PN	N	2000517-1
SUPERSEDES PART NUMBER	CONNECTOR ASSEMBLY WEIGHT (GRAMS)	QUADRAX CONTACT KIT, WITH SEAL BOOT TYCO PART NUMBER 1445692-3	PANASONIC PART NUMBER	SHELL KEYING ARRANGEMENT	PART NUMBER

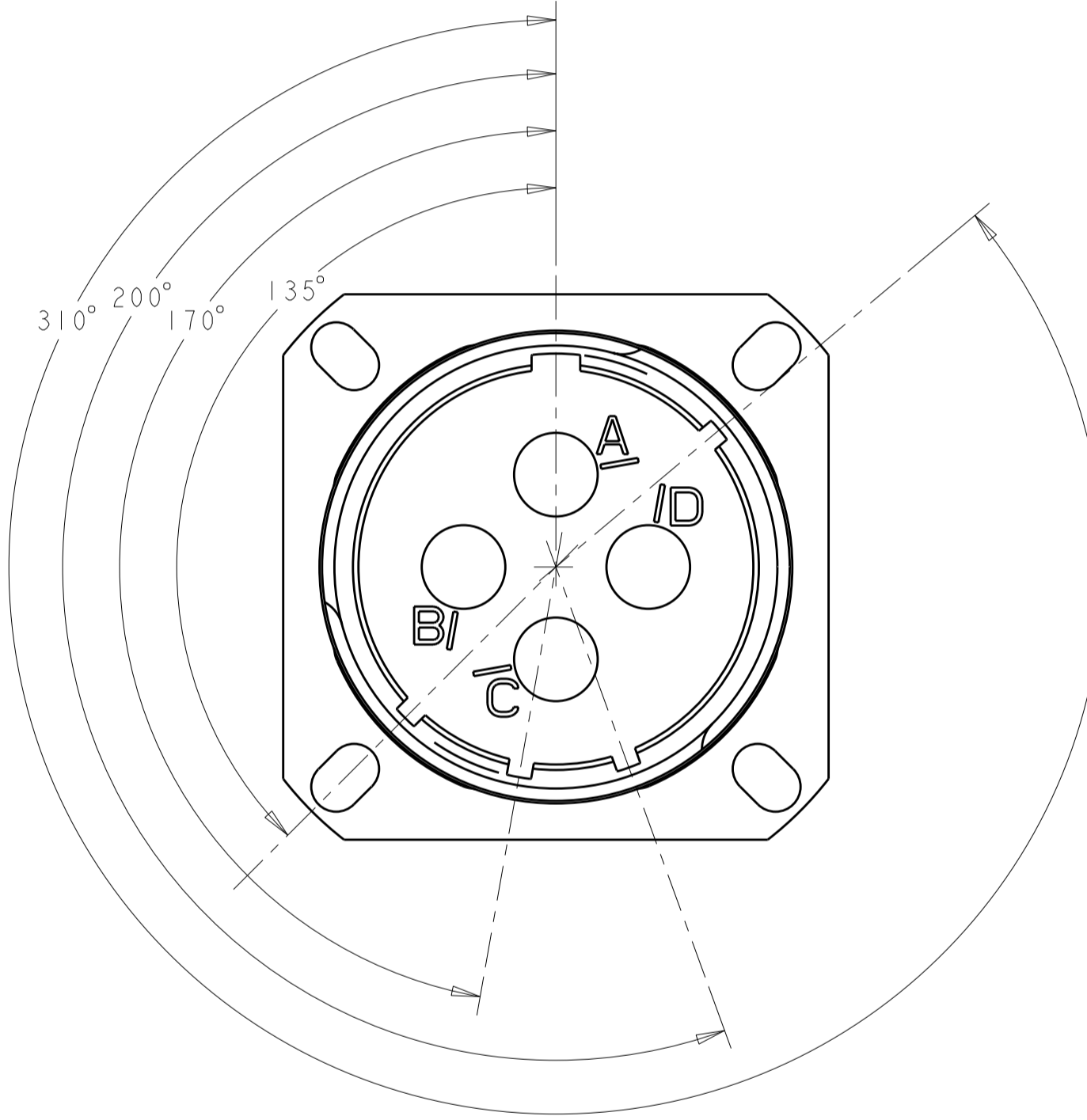
<small>THIS DRAWING IS A CONTROLLED DOCUMENT FOR TYCO ELECTRONICS CORPORATION IT IS SUBJECT TO CHANGE AND THE CONTROLLING ENGINEERING ORGANIZATION SHOULD BE CONTACTED FOR THE LATEST REVISION.</small>		DWN B. YOHN 31 JUL 2007 CHK LAWRENCE S. OH 31 JUL 2007 APVD LAWRENCE S. OH 31 JUL 2007	Tyco Electronics Harrisburg, PA 17105-3608
DIMENSIONS: IN 	TOLERANCES UNLESS OTHERWISE SPECIFIED: 0 PLC ±. 1 PLC ±.01 2 PLC ±.01 3 PLC ±.005 4 PLC ±.0020 ANGLES ±. FINISH SEE CALLOUTS	PRODUCT SPEC - APPLICATION SPEC - WEIGHT -	NAME ASSY, RECEPTACLE, SIZE 19, 38999 STYLE, WALL MOUNT FLANGE, WITH 4 QUADRAX CAVITIES, COMPOSITE SIZE A2 CAGE CODE 00779 DRAWING NO. 2000517 RESTRICTED TO - SCALE 3:1 SHEET 1 OF 2 REV C
MATERIAL SEE CALLOUTS	FINISH SEE CALLOUTS	CUSTOMER DRAWING	

THIS DRAWING IS UNPUBLISHED. RELEASED FOR PUBLICATION 20
 © COPYRIGHT 20 BY TYCO ELECTRONICS CORPORATION. ALL RIGHTS RESERVED.

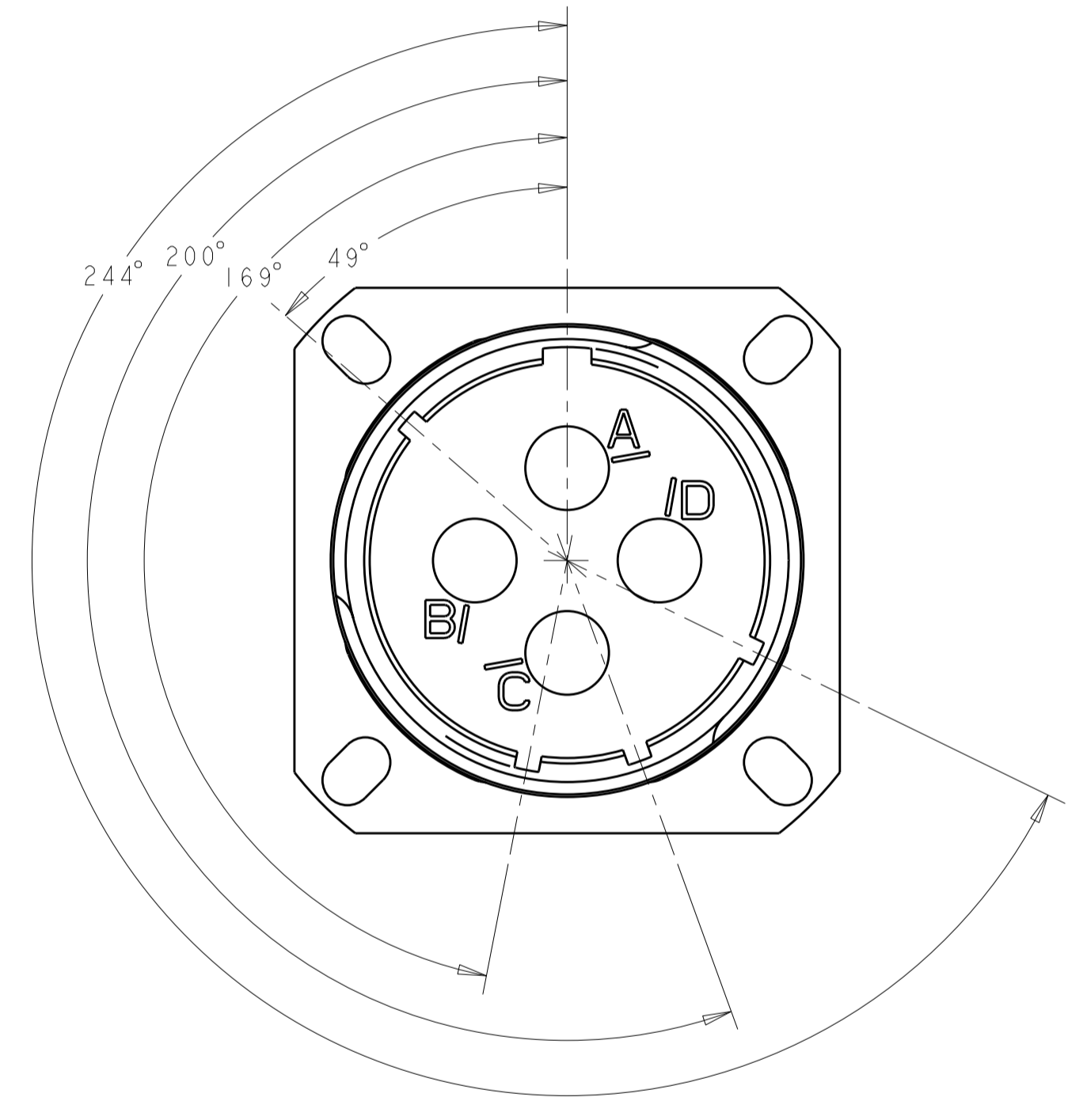
LOC	DIST	REVISIONS					
DF	A5	P	LTR	DESCRIPTION	DATE	DWN	APVD
		-		SEE SHEET 1			



"N" POLARIZATION
 KEYING ARRANGMENT
 2000517-1 AND -4



"A" POLARIZATION
 KEYING ARRANGEMENT
 2000517-2 AND -5



"B" POLARIZATION
 KEYING ARRANGEMENT
 2000517-3 AND -6

<small>THIS DRAWING IS A CONTROLLED DOCUMENT FOR TYCO ELECTRONICS CORPORATION IT IS SUBJECT TO CHANGE AND THE CONTROLLING ENGINEERING ORGANIZATION SHOULD BE CONTACTED FOR THE LATEST REVISION.</small>		DWN B. YOHN 31 JUL 2007 CHK LAWRENCE S. OH 31 JUL 2007 APVD LAWRENCE S. OH 31 JUL 2007	Tyco Electronics Harrisburg, PA 17105-3608
DIMENSIONS: IN 	TOLERANCES UNLESS OTHERWISE SPECIFIED: 0 PLC ±. 1 PLC ±.01 2 PLC ±.01 3 PLC ±.005 4 PLC ±.0020 ANGLES ±. FINISH	PRODUCT SPEC APPLICATION SPEC WEIGHT CUSTOMER DRAWING	NAME ASSY, RECEPTACLE, SIZE 19, 38999 STYLE, WALL MOUNT FLANGE, WITH 4 QUADRAX CAVITIES, COMPOSITE SIZE A2 CAGE CODE 00779 DRAWING NO. C-2000517 RESTRICTED TO
AMP 1471-9 REV 31MAR2000		SCALE 3:1	SHEET 2 OF 2 REV C