

6

5

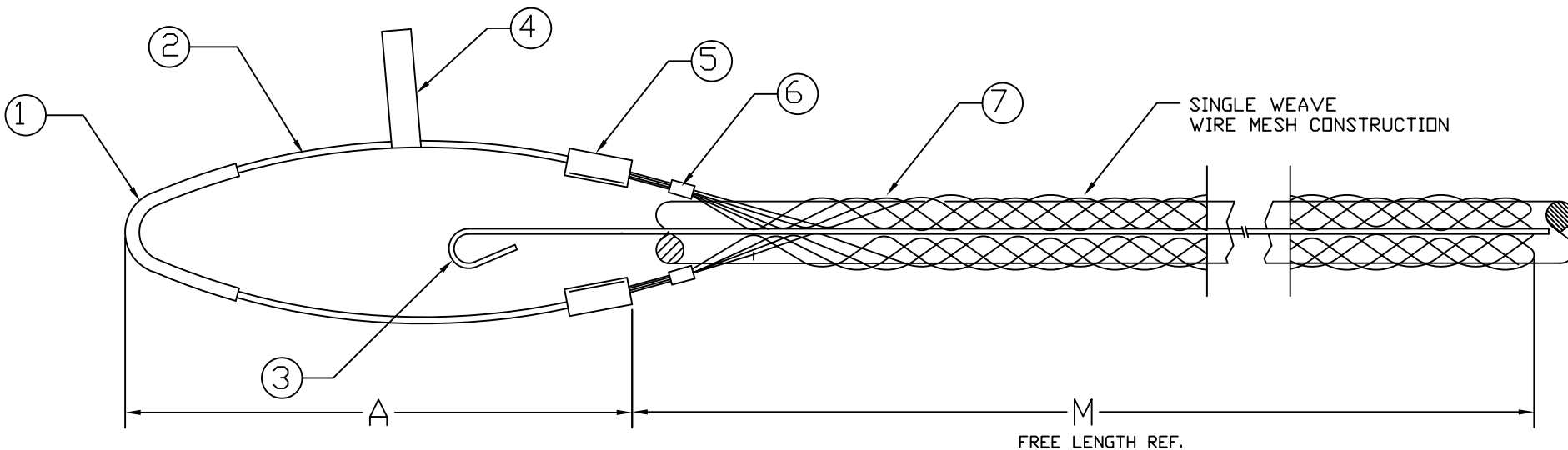
4

3

2

1

MATERIAL NUMBER	OLD MATERIAL NUMBER	M ^{±1/2} IN INCHES	A ^{±1} IN INCHES	APPROX. BREAKING STRENGTH IN lbs.	CABLE RANGE IN INCHES
1300940529	36680	2.5	3.0	300	.18-.25
1300940530	36681	2.5	3.0	300	.23-.32
1300940531	36682	2.5	4.0	300	.30-.39
1300940532	36683	4.0	5.0	300	.37-.48
1300940533	36684	5.0	6.0	400	.46-.58
1300940534	36685	5.0	7.0	600	.56-.71
1300940535	36686	6.0	8.0	800	.69-.88



ITEM	QTY.	DESCRIPTION	MATERIAL
1	1	SHOULDER PROTECTOR	STAINLESS STEEL
2	1	BALE WIRE	TINNED PHOSPHOR BRONZE
3	1	ROD	STAINLESS STEEL
4	1	LABEL	MYLAR
5	2	FERRULE	STAINLESS STEEL
6	2	CRIMP CONNECTOR	STAINLESS STEEL
7	1	WIRE MESH	TINNED PHOSPHOR BRONZE

RELEASE DRAWING
 EC NO: WNA2010-0690
 DRWN: TVICKERS 2010/05/17
 CHKD: HKNEELAN
 APPR: DTITUS 2010/05/21

QUALITY SYMBOLS
 ▽=0
 ∇=0

DESCRIPTION
 REV: A

GENERAL TOLERANCES (UNLESS SPECIFIED)

	mm	INCH
4 PLACES	±---	±---
3 PLACES	±---	±.005
2 PLACES	±0.13	±.010
1 PLACE	±0.25	±.020

ANGULAR ±.5°

DRAFT WHERE APPLICABLE MUST REMAIN WITHIN DIMENSIONS

DIMENSION STYLE
 INCH

DRAWN BY DATE
 TVICKERS 2010/05/17

CHECKED BY DATE
 HKNEELAN 2010/05/17

APPROVED BY DATE
 DTITUS 2010/05/20

MATERIAL NO.
 SEE CHART

SIZE
 A

SCALE
 NTS

DESIGN UNITS
 INCH

THIRD ANGLE PROJECTION

TITLE
 FIBER OPTIC SUPPORT GRIP
 SINGLE WEAVE
 SINGLE EYE

MOLEX INCORPORATED

DOCUMENT NO.
 SD-130094-008

SHEET NO.
 1 OF 1

THIS DRAWING CONTAINS INFORMATION THAT IS PROPRIETARY TO MOLEX INCORPORATED AND SHOULD NOT BE USED WITHOUT WRITTEN PERMISSION

6

5

4

3

2

1