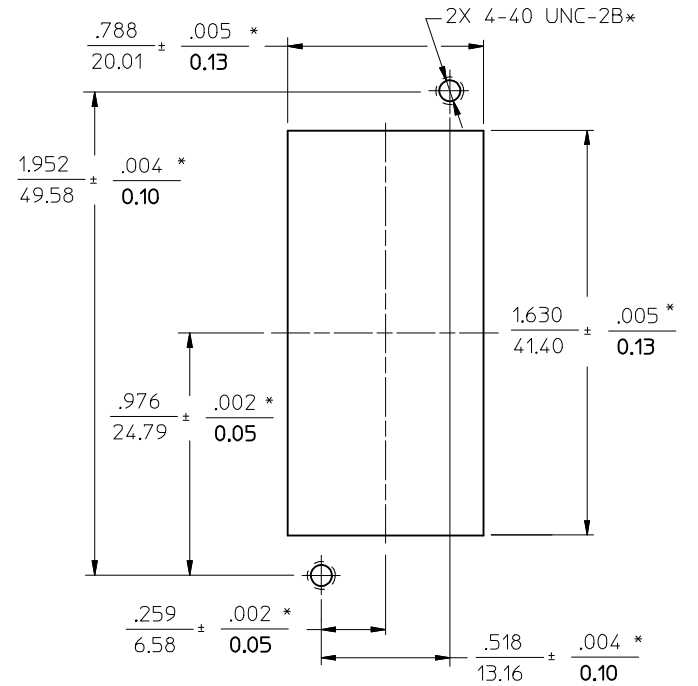
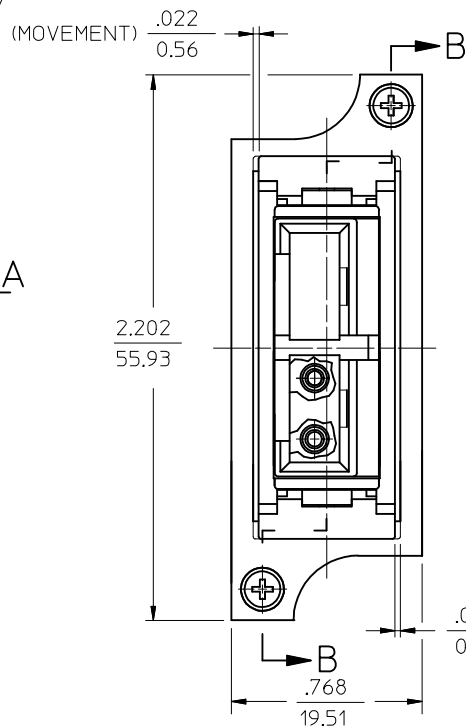
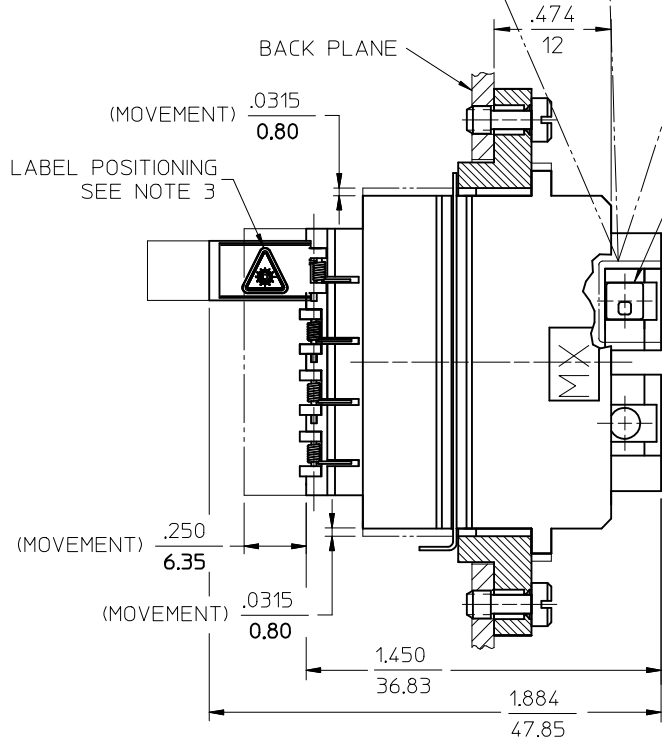
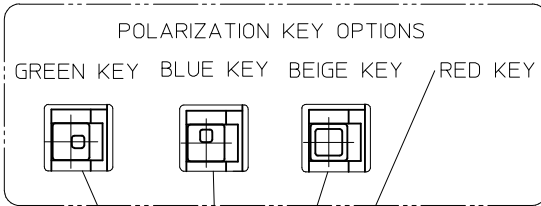


BLC ADAPTER P/N	SPLIT SLEEVE MATERIAL	COLOR
106144-0100	Ph. Bronze	BLACK
106144-1100	Zr	GREEN
106144-1500		GREEN



- NOTES:
1. ALL DIM. ARE FOR REFERENCE ONLY, EXCEPT WHEN MARKED WITH (*).
 2. POLARIZATION KEYS AND LABELS ARE PACKED UNASSEMBLED WITH ADAPTER ASSEMBLY IN POLY BAG.
 3. ADHESIVE LABELS TO BE POSITIONED ON LC DOORS BY USER. THE ORIENTATION OF THE LABELS SHOULD BE SUCH THAT THE LASER WARNING SYMBOL IS EASILY IDENTIFIED.

ENTER DESCRIPTION EC NO: MF2014-0607 DRW: YBEDNYAK 2014/04/21 CHKD: WCHEN APPR: WCHEN 2014/04/25 B1	QUALITY SYMBOLS ▽=0 ▽=0	GENERAL TOLERANCES (UNLESS SPECIFIED) mm INCH 4 PLACES ± --- ± --- 3 PLACES ± --- ± --- 2 PLACES ± --- ± --- 1 PLACE ± --- ± --- ANGULAR ±1/2°	DIMENSION STYLE IN/MM DRAWN BY DATE PG/BL IN 2005/10/20 CHECKED BY DATE APPROVED BY DATE	SCALE 2:1 DESIGN UNITS INCH THIRD ANGLE PROJECTION	TITLE BLC ADAPTER ASSEMBLY (4 POSITION)
	DRAFT WHERE APPLICABLE MUST REMAIN WITHIN DIMENSIONS		MATERIAL NO. SEE TABLE	MOLEX INCORPORATED	SHEET NO. 1 OF 1
	DOCUMENT NO. SD-106144-XX00			THIS DRAWING CONTAINS INFORMATION THAT IS PROPRIETARY TO MOLEX INCORPORATED AND SHOULD NOT BE USED WITHOUT WRITTEN PERMISSION	
	THIS DRAWING CONTAINS INFORMATION THAT IS PROPRIETARY TO MOLEX INCORPORATED AND SHOULD NOT BE USED WITHOUT WRITTEN PERMISSION				