

Four Channel Energy Measurement IC

Features

- Superior Analog Performance with Ultra-low Noise Level and High SNR
- Energy Measurement Accuracy of 0.1% over 4000:1 Dynamic Range
- Current RMS Measurement Accuracy of 0.1% over 1000:1 Dynamic Range
- 4 Independent 24-bit, 4th-order, Delta-Sigma Modulators for Voltage and Current Measurements
- 4 Configurable Digital Outputs for Energy Pulses, Zero-crossing, or Energy Direction
- Supports Shunt Resistor, CT, and Rogowski Coil Current Sensors
- On-chip Measurements/Calculations:
 - Active, Reactive, and Apparent Power
 - RMS Voltage and Current
 - Power Factor and Line Frequency
 - Instantaneous Voltage, Current, and Power
- Overcurrent, Voltage Sag, and Voltage Swell Detection
- Ultra-fast On-chip Digital Calibration
- Internal Register Protection via Checksum and Write Protection
- UART/SPI™ Serial Interface
- On-chip Temperature Sensor
- On-chip Voltage Reference (25ppm/°C Typ.)
- Single 3.3V Power Supply
- Ultra-fine Phase Compensation
- Low Power Consumption: <13mW
- Power Supply Configurations
 - GNDA = GNDD = 0V, VDDA = +3.3V
- 5mmx5mm 28-pin QFN Package

ORDERING INFORMATION

See [Page 68](#).

Description

The CS5484 is a high-accuracy, four-channel, energy measurement analog front end.

The CS5484 incorporates independent 4th order Delta-Sigma analog-to-digital converters for every channel, reference circuitry, and the proven EXL signal processing core to provide active, reactive, and apparent energy measurement. In addition, RMS and power factor calculations are available. Calculations are output through a configurable energy pulse, or direct UART/SPI™ serial access to on-chip registers. Instantaneous current, voltage, and power measurements are also available over the serial port. Multiple serial options are offered to allow customer flexibility. The SPI provides higher speed, and the 2-wire UART minimizes the cost of isolation where required.

Four configurable digital outputs provide energy pulses, zero-crossing, energy direction, and interrupt functions. Interrupts can be generated for a variety of conditions including voltage sag or swell, overcurrent, and more. On-chip register integrity is assured via checksum and write protection. The CS5484 is designed to interface to a variety of voltage and current sensors including shunt resistors, current transformers, and Rogowski coils.

On-chip functionality makes digital calibration simple and ultra-fast, minimizing the time required at the end of the customer production line. Performance across temperature is ensured with an on-chip voltage reference with low drift. A single 3.3V power supply is required, and power consumption is low at <13mW. To minimize space requirements, the CS5484 is offered in a low-cost, 5mm x5mm 28-pin QFN package.

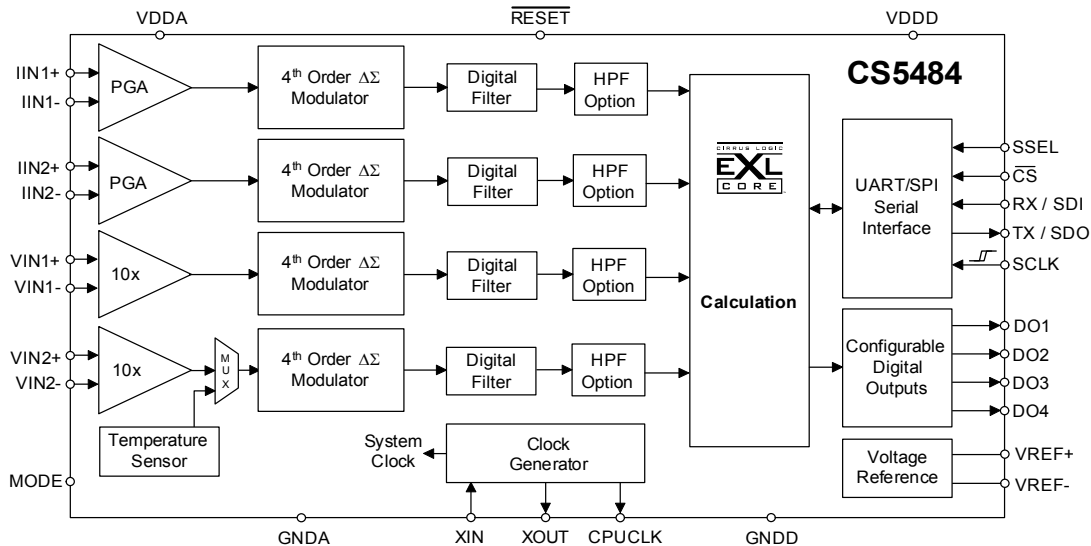


TABLE OF CONTENTS

1. Overview	5
2. Pin Descriptions	6
2.1 Analog Pins	7
2.1.1 Voltage Inputs	7
2.1.2 Current Inputs	7
2.1.3 Voltage Reference	7
2.1.4 Crystal Oscillator	7
2.2 Digital Pins	7
2.2.1 Reset Input	7
2.2.2 CPU Clock Output	7
2.2.3 Digital Outputs	7
2.2.4 UART/SPI™ Serial Interface	8
2.2.5 SPI	8
2.2.6 UART	8
2.2.7 MODE Pin	8
3. Characteristics and Specifications	9
4. Signal Flow Description	17
4.1 Analog-to-Digital Converters	17
4.2 Decimation Filters	17
4.3 IIR Filters	17
4.4 Phase Compensation	17
4.5 DC Offset and Gain Correction	18
4.6 High-pass and Phase Matching Filters	18
4.7 Digital Integrators	18
4.8 Low-rate Calculations	18
4.8.1 Fixed Number of Samples Averaging	18
4.8.2 Line-cycle Synchronized Averaging	19
4.8.3 RMS Current and Voltage	19
4.8.4 Active Power	19
4.8.5 Reactive Power	19
4.8.6 Apparent Power	19
4.8.7 Peak Voltage and Current	19
4.8.8 Power Factor	19
4.9 Average Active Power Offset	20
4.10 Average Reactive Power Offset	20
5. Functional Description	21
5.1 Power-on Reset	21
5.2 Power Saving Modes	21
5.3 Zero-crossing Detection	21
5.4 Line Frequency Measurement	22
5.5 Energy Pulse Generation	22
5.5.1 Pulse Rate	24
5.5.2 Pulse Width	24
5.6 Voltage Sag, Voltage Swell, and Overcurrent Detection	24

5.7 Phase Sequence Detection	25
5.8 Temperature Measurement	25
5.9 Anti-creep	26
5.10 Register Protection	26
5.10.1 Write Protection	26
5.10.2 Register Checksum	26
6. Host Commands and Registers	27
6.1 Host Commands	27
6.1.1 Memory Access Commands	27
6.1.1.1 Page Select	27
6.1.1.2 Register Read	27
6.1.1.3 Register Write	27
6.1.2 Instructions	27
6.1.3 Checksum	28
6.1.4 Serial Time Out	28
6.2 Hardware Registers Summary (Page 0)	29
6.3 Software Registers Summary (Page 16)	31
6.4 Software Registers Summary (Page 17)	33
6.5 Software Registers Summary (Page 18)	34
6.6 Register Descriptions	35
7. System Calibration	62
7.1 Calibration in General	62
7.1.1 Offset Calibration	62
7.1.1.1 DC Offset Calibration	62
7.1.1.2 AC Offset Calibration	63
7.1.2 Gain Calibration	63
7.1.3 Calibration Order	63
7.2 Phase Compensation	63
7.3 Temperature Sensor Calibration	65
7.3.1 Temperature Offset and Gain Calibration	65
8. Basic Application Circuits	66
9. Package Dimensions	67
10. Ordering Information	68
11. Environmental, Manufacturing, and Handling Information	68
12. Revision History	68

LIST OF FIGURES

Figure 1. Oscillator Connections.....	7
Figure 2. Multi-device UART Connections.....	8
Figure 3. UART Serial Frame Format.....	8
Figure 4. Active Energy Load Performance.....	9
Figure 5. Reactive Energy Load Performance.....	10
Figure 6. IRMS Load Performance.....	10
Figure 7. SPI Data and Clock Timing.....	15
Figure 8. Multi-Device UART Timing.....	15
Figure 9. Signal Flow for V1, I1, P1, and Q1 Measurements.....	17
Figure 10. Signal Flow for V2, I2, P2, and Q2 Measurements.....	17
Figure 11. Low-rate Calculations.....	18
Figure 12. Power-on Reset Timing.....	21
Figure 13. Zero-crossing Level and Zero-crossing Output on DOx.....	22
Figure 14. Energy Pulse Generation and Digital Output Control.....	23
Figure 15. Sag, Swell, and Overcurrent Detect.....	24
Figure 16. Phase Sequence A, B, C for Rising Edge Transition.....	25
Figure 17. Phase Sequence C, B, A for Rising Edge Transition.....	26
Figure 18. Byte Sequence for Page Select.....	27
Figure 19. Byte Sequence for Register Read.....	27
Figure 20. Byte Sequence for Register Write.....	27
Figure 21. Byte Sequence for Instructions.....	27
Figure 22. Byte Sequence for Checksum.....	28
Figure 23. Calibration Data Flow.....	62
Figure 24. T Register vs. Force Temp.....	65
Figure 25. Typical Connection (<i>Single-phase, 3-wire, 12S Electricity Meter</i>).....	66

LIST OF TABLES

Table 1. POR Thresholds.....	21
Table 2. Command Format.....	27
Table 3. Instruction Format.....	28

1. OVERVIEW

The CS5484 is a CMOS power measurement integrated circuit using four $\Delta\Sigma$ analog-to-digital converters to measure two line voltages and two currents. Optionally, voltage2 channel can be used for temperature measurement. It calculates active, reactive, and apparent power as well as RMS voltage and current and peak voltage and current. It handles other system-related functions, such as energy pulse generation, voltage sag and swell, overcurrent and zero-crossing detection, and line frequency measurement.

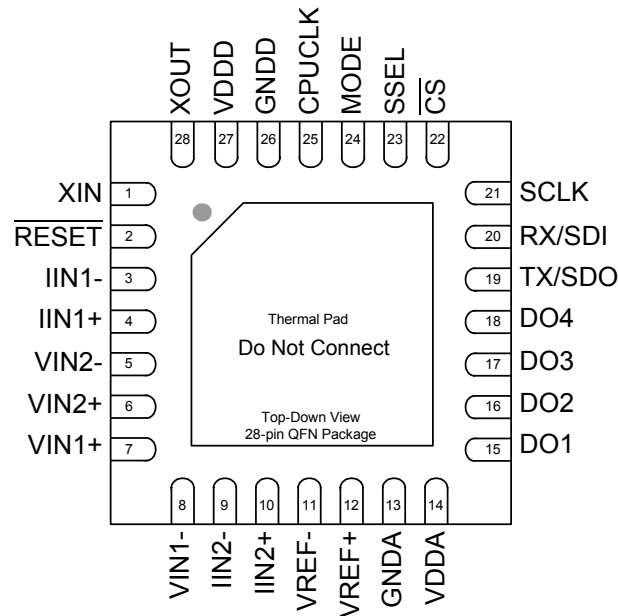
The CS5484 is optimized to interface to current transformers, shunt resistors, or Rogowski coils for current measurement and to resistive dividers or voltage transformers for voltage measurement. Two full-scale ranges are provided on the current inputs to accommodate different types of current sensors. The CS5484's four differential inputs have a common-mode input range from analog ground (GNDA) to the positive analog supply (VDDA).

An on-chip voltage reference (typically 2.4 volts) is generated and provided at analog output, VREF \pm .

Four digital outputs (DO1, DO2, DO3, and DO4) provide a variety of output signals, and depending on the mode selected, provide energy pulses, zero-crossings, or other choices.

The CS5484 includes a UART/SPI™ serial host interface to an external microcontroller. The serial select (SSEL) pin is used to configure the serial port to be a SPI or UART. SPI signals include serial data input (SDI), serial data output (SDO), and serial clock (SCLK). UART signals include serial data input (RX) and serial data output (TX). A chip select (\overline{CS}) signal allows multiple CS5484s to share the same serial interface with the microcontroller.

2. PIN DESCRIPTIONS



Digital Pins and Serial Data I/O

Digital Outputs	15,16, 17,18	DO1, DO2, DO3, DO4 — Configurable digital outputs for energy pulses, interrupt, energy direction, and zero-crossings.
Reset	2	RESET — An active-low Schmitt-trigger input used to reset the chip.
Serial Data I/O	19,20	TX/SDO, RX/SDI — UART/SPI serial data output/input.
Serial Clock Input	21	SCLK — Serial clock for the SPI.
Chip Select	22	CS — Chip select for the UART/SPI.
Serial Mode Select	23	SSEL — Selects the type of serial interface, UART or SPI™. Logic level one - UART selected. Logic level zero - SPI selected.
Operating Mode Select	24	MODE — Connect to VDDA for proper operation.

Analog Inputs/Outputs

Voltage Inputs	7,8,6,5	VIN1+, VIN1-, VIN2+, VIN2- — Differential analog inputs for the voltage channels.
Current Inputs	4,3,10,9	IIN1+, IIN1-, IIN2+, IIN2- — Differential analog inputs for the current channels.
Voltage Reference Input	12,11	VREF+, VREF- — The internal voltage reference. A 0.1 μF bypass capacitor is required between these two pins.

Power Supply Connections

Internal Digital Supply	27	VDDD — Decoupling pin for the internal 1.8V digital supply. A 0.1 μF bypass capacitor is required between this pin and GNDD.
Digital Ground	26	GNDD — Digital ground.
Positive Analog Supply	14	VDDA — The positive 3.3V analog supply.
Analog Ground	13	GNDA — Analog ground.

Clock Generator

Crystal In Crystal Out	1,28	XIN, XOUT — Connect to an external quartz crystal. Alternatively, an external clock can be supplied to the XIN pin to provide the system clock for the device.
CPU Clock Output	25	CPUCLK — Output of on-chip oscillator which can drive one standard CMOS load.

Thermal Pad	-	No Electrical Connection.
--------------------	---	---------------------------

2.1 Analog Pins

The CS5484 has two differential inputs (VIN1±, VIN2±) for voltage input and two differential inputs (IIN1±, IIN2±) for current1 and current2 inputs. The CS5484 also has two voltage reference pins (VREF±) between which a bypass capacitor should be placed.

2.1.1 Voltage Inputs

The output of the line voltage resistive divider or transformer is connected to the VIN1± or VIN2± input pins of the CS5484. The voltage channel is equipped with a 10x, fixed-gain amplifier. The full-scale signal level that can be applied to the voltage channel is ±250mV. If the input signal is a sine wave, the maximum RMS voltage is $250\text{mVp}/\sqrt{2} \approx 176.78\text{mV}_{\text{RMS}}$, which is approximately 70.7% of maximum peak voltage.

2.1.2 Current Inputs

The output of the current-sensing shunt resistor, transformer, or Rogowski coil is connected to the IIN1± or IIN2± input pins of the CS5484. To accommodate different current-sensing elements, the current channel incorporates a programmable gain amplifier (PGA) with two selectable input gains, as described in the *Config0* register description (see section [6.6.1 Configuration 0 \(Config0\) – Page 0, Address 0](#) on page 35.) There is a 10x gain setting and a 50x gain setting. The full-scale signal level for current channels is ±50mV and ±250mV for 50x and 10x gain settings, respectively. If the input signal is a sine wave, the maximum RMS voltage is $35.35\text{mV}_{\text{RMS}}$ or $176.78\text{mV}_{\text{RMS}}$, which is approximately 70.7% of maximum peak voltage.

2.1.3 Voltage Reference

The CS5484 generates a stable voltage reference of 2.4V between the VREF± pins. The reference system also requires a filter capacitor of at least 0.1 μF between the VREF± pins.

The reference system is capable of providing a reference for the CS5484 but has limited ability to drive external circuitry. It is strongly recommended that nothing other than the required filter capacitor be connected to the VREF± pins.

2.1.4 Crystal Oscillator

An external, 4.096MHz quartz crystal can be connected to the XIN and XOUT pins, as shown in [Figure 1](#). To reduce system cost, each pin is supplied with an on-chip load capacitor.

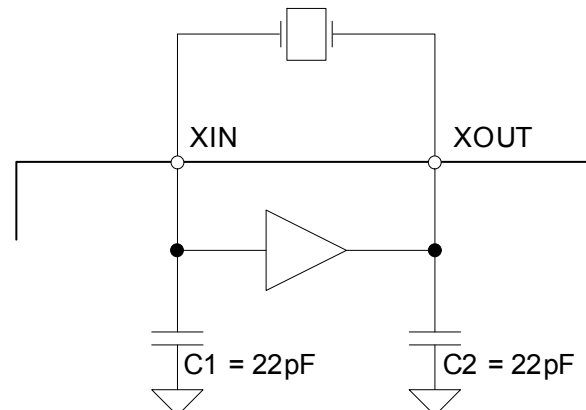


Figure 1. Oscillator Connections

Alternatively, an external clock source can be connected to the XIN pin.

2.2 Digital Pins

2.2.1 Reset Input

The active-low RESET pin, when asserted for longer than 120μs, will halt all CS5484 operations and reset internal hardware registers and states. When de-asserted, an initialization sequence begins, setting default register values. To prevent erroneous noise-induced resets to the CS5484, an external pull-up resistor and a decoupling capacitor are necessary on the RESET pin.

2.2.2 CPU Clock Output

A logic-level clock output (CPUCLK) is provided at the crystal frequency to drive another CS5484 IC or external microcontroller. Writing '1' to bit CPUCLK_ON of the *Config0* register enables the CPU clock output. After the CPU clock output is enabled, it can be disabled only by a power-on reset (POR) or by writing '0' to the CPUCLK_ON bit. A hardware reset through pin/RESET or a software reset instruction through the serial interface will not disable the CPU clock output. Two phase choices are available on the CPUCLK pin through bit iCPUCLK of the *Config0* register. Different from the CPUCLK_ON bit, the iCPUCLK bit can be cleared by a POR, a hardware reset, a software reset instruction, or a register write.

2.2.3 Digital Outputs

The CS5484 provides four configurable digital outputs (DO1-DO4). They can be configured to output energy pulses, interrupt, zero-crossings, or energy directions. Refer to section [6.6.2 Configuration 1 \(Config1\) – Page 0, Address 1](#) on page 36 for more details.

2.2.4 UART/SPI™ Serial Interface

The CS5484 provides five pins—SSEL, RX/SDI, TX/SDO, \overline{CS} , and SCLK—for communication between a host microcontroller and the CS5484.

SSEL is an input that, when low, indicates to the CS5484 to use the SPI port as the serial interface to communicate with the host microcontroller. The SSEL pin has an internal weak pull-up. When the SSEL pin is left unconnected or pulled high externally, the UART port is used as the serial interface.

2.2.5 SPI

The CS5484 provides a Serial Peripheral Interface (SPI) that operates as a slave device in 4-wire mode and supports multiple slaves on the SPI bus. The 4-wire SPI includes \overline{CS} , SCLK, SDI, and SDO signals.

\overline{CS} is the chip select input for the CS5484 SPI port. A high logic level de-asserts it, tri-stating the SDO pin and clearing the SPI interface. A low logic level enables the SPI port. Although the \overline{CS} pin may be tied low for systems that do not require multiple SDO drivers, using the \overline{CS} signal is strongly recommended to achieve more reliable SPI communications.

SCLK is the serial clock input for the CS5484 SPI port. Serial data changes as a result of the falling edge of SCLK and is valid at the rising edge. The SCLK pin is a Schmitt-trigger input.

SDI is the serial data input to the CS5484.

SDO is the serial data output from the CS5484.

The CS5484 SPI transmits and receives data MSB first. Refer to [Switching Characteristics](#) on page 14 and [Figure 7](#) on page 15 for more detailed information about SPI timing.

2.2.6 UART

The CS5484 device contains an asynchronous, full-duplex UART. The UART may be used in either standard 2-wire communication mode (RX/TX) for connecting a single device or 3-wire communication mode (RX/TX/ \overline{CS}) for connecting multiple devices. When connecting a single CS5484 device, \overline{CS} should be held low to enable the UART. Multiple CS5484 devices can communicate to the same master UART in the 3-wire mode by pulling a slave \overline{CS} pin low during data transmissions. Common RX and TX signals are provided to all the slave devices, and each slave device

requires a separate \overline{CS} signal for enabling communication to that slave. The multi-device UART mode connections are shown in [Figure 2](#).

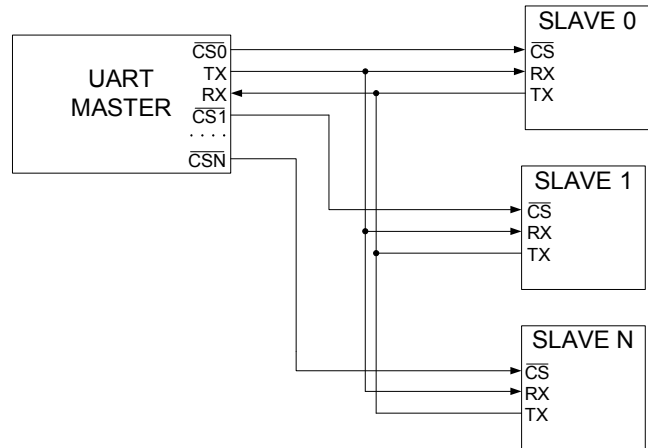


Figure 2. Multi-device UART Connections

The multi-device UART mode timing diagram provides the timing requirements for the \overline{CS} control (see [Figure 8. Multi-Device UART Timing](#) on Page 15).

The CS5484 UART operates in 8-bit mode, which transmits a total of 10 bits per byte. Data is transmitted and received LSB first, with one start bit, eight data bits, and one stop bit.



Figure 3. UART Serial Frame Format

The baud rate is defined in the *SerialCtrl* register. After chip reset, the default baud rate is 600, if MCLK is 4.096MHz. The baud rate is based on the contents of bits BR[15:0] in the *SerialCtrl* register and is calculated as follows:

$$BR[15:0] = \text{Baud Rate} \times (524288 / \text{MCLK})$$

or

$$\text{Baud Rate} = BR[15:0] / (524288 / \text{MCLK})$$

The maximum baud rate is 512K if MCLK is 4.096MHz.

2.2.7 MODE Pin

The MODE pin must be tied to VDDA for normal operation. The MODE pin is used primarily for factory test procedures.

3. CHARACTERISTICS AND SPECIFICATIONS

RECOMMENDED OPERATING CONDITIONS

Parameter	Symbol	Min	Typ	Max	Unit
Positive Analog Power Supply	VDDA	3.0	3.3	3.6	V
Specified Temperature Range	T _A	-40	-	+85	°C

POWER MEASUREMENT CHARACTERISTICS

Parameter	Symbol	Min	Typ	Max	Unit
Active Energy (Note 1 and 2) All Gain Ranges Current Channel Input Signal Dynamic Range 4000:1	P _{Avg}	-	±0.1	-	%
Reactive Energy (Note 1 and 2) All Gain Ranges Current Channel Input Signal Dynamic Range 4000:1	Q _{Avg}	-	±0.1	-	%
Apparent Power (Note 1 and 3) All Gain Ranges Current Channel Input Signal Dynamic Range 1000:1	S	-	±0.1	-	%
Current RMS (Note 1, 3, and 4) All Gain Ranges Current Channel Input Signal Dynamic Range 1000:1	I _{RMS}	-	±0.1	-	%
Voltage RMS (Note 1 and 3) Voltage Channel Input Signal Dynamic Range 20:1	V _{RMS}	-	±0.1	-	%
Power Factor (Note 1 and 3) All Gain Ranges Current Channel Input Signal Dynamic Range 1000:1	PF	-	±0.1	-	%

- Notes:
- Specifications guaranteed by design and characterization.
 - Active energy is tested with power factor (PF) = 1.0. Reactive energy is tested with Sin(ϕ) = 1.0. Energy error measured at system level using a single energy pulse. Where: 1) One energy pulse = 0.5Wh or 0.5Varh; 2) VDDA = +3.3V, T_A = 25°C, MCLK = 4.096MHz; 3) System is calibrated.
 - Calculated using register values; N ≥ 4000.
 - I_{RMS} error calculated using register values. 1) VDDA = +3.3V; T_A = 25°C; MCLK = 4.096MHz; 2) AC offset calibration applied.

TYPICAL LOAD PERFORMANCE

- Energy error measured at system level using single energy pulse; where one energy pulse = 0.5Wh or 0.5Varh
- I_{RMS} error calculated using register values
- VDDA = +3.3V; T_A = 25°C; MCLK = 4.096MHz

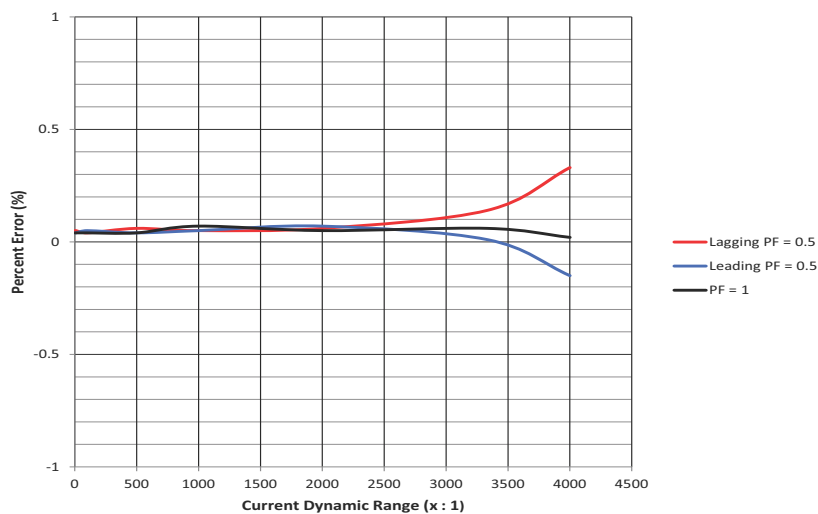


Figure 4. Active Energy Load Performance

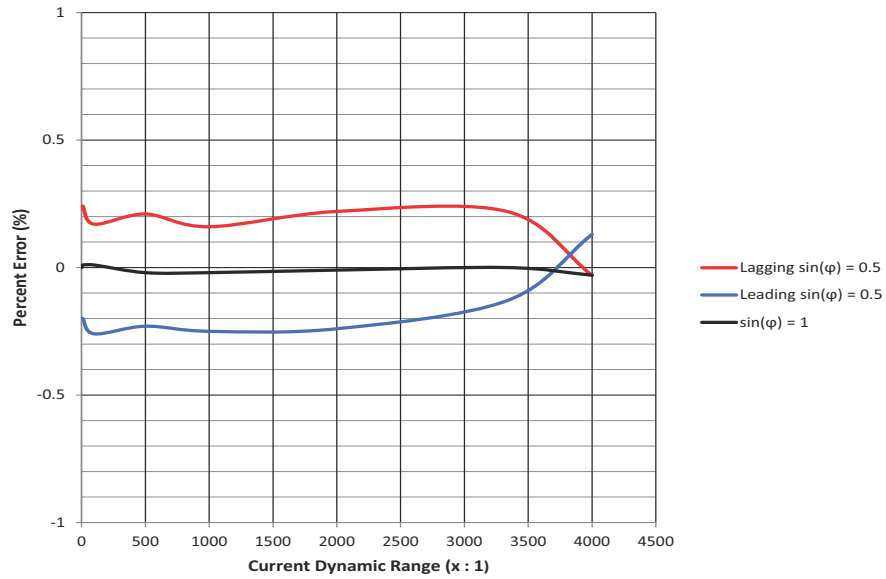


Figure 5. Reactive Energy Load Performance

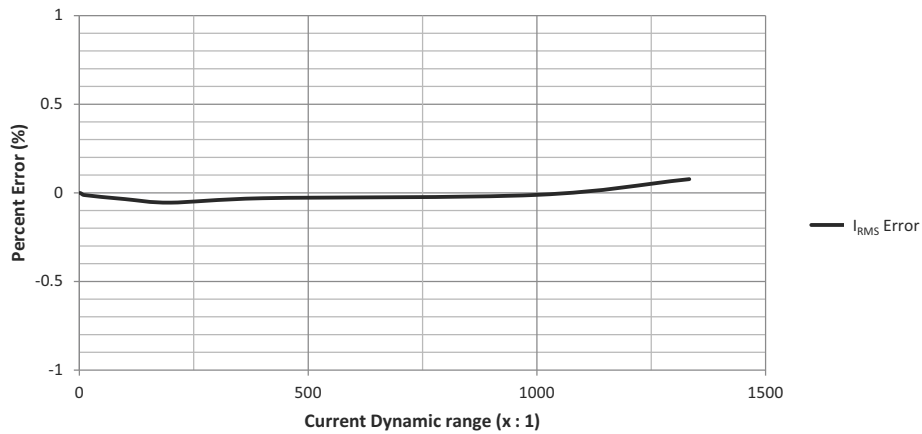


Figure 6. I_{RMS} Load Performance

ANALOG CHARACTERISTICS

- Min / Max characteristics and specifications are guaranteed over all [Recommended Operating Conditions](#).
- Typical characteristics and specifications are measured at nominal supply voltages and $T_A = 25^\circ\text{C}$.
- $V_{DDA} = +3.3\text{V} \pm 10\%$; $G_{NDA} = G_{NDD} = 0\text{V}$. All voltages with respect to 0V.
- $MCLK = 4.096\text{MHz}$.

Parameter	Symbol	Min	Typ	Max	Unit
Analog Inputs (Current Channels)					
Common Mode Rejection (DC, 50, 60Hz)	CMRR	80	-	-	dB
Common Mode+Signal		-0.25	-	V _{DDA}	V
Differential Full-scale Input Range [(IIN+) – (IIN-)]	IIN	-	250	-	mV _P
		-	50	-	mV _P
Total Harmonic Distortion (Gain = 50)	THD	90	100	-	dB
Signal-to-Noise Ratio (SNR) (Gain = 10)	SNR	-	80	-	dB
		-	80	-	dB
Crosstalk from Voltage Inputs at Full Scale (50, 60Hz)		-	-115	-	dB
Crosstalk from Current Input at Full Scale (50, 60Hz)		-	-115	-	dB
Input Capacitance	IC	-	27	-	pF
Effective Input Impedance	EII	30	-	-	k Ω
Offset Drift (Without the High-pass Filter)	OD	-	4.0	-	$\mu\text{V}/^\circ\text{C}$
Noise (Referred to Input) (Gain = 10)	N _I	-	15	-	μV_{RMS}
		-	3.5	-	μV_{RMS}
Power Supply Rejection Ratio (60Hz) (Note 7)	PSRR	60	65	-	dB
		68	75	-	dB
Analog Inputs (Voltage Channels)					
Common Mode Rejection (DC, 50, 60Hz)	CMRR	80	-	-	dB
Common Mode+Signal		-0.25	-	V _{DDA}	V
Differential Full-scale Input Range [(VIN+) – (VIN-)]	VIN	-	250	-	mV _P
Total Harmonic Distortion	THD	80	88	-	dB
Signal-to-Noise Ratio (SNR)	SNR	-	73	-	dB
Crosstalk from Current Inputs at Full Scale (50, 60Hz)		-	-115	-	dB
Input Capacitance	IC	-	2.0	-	pF
Effective Input Impedance	EII	2	-	-	M Ω
Noise (Referred to Input)	N _V	-	40	-	μV_{RMS}
Offset Drift (Without the High-pass Filter)	OD	-	16.0	-	$\mu\text{V}/^\circ\text{C}$
Power Supply Rejection Ratio (60Hz) (Note 7)	PSRR	60	65	-	dB
Temperature					
Temperature Accuracy (Note 6)	T	-	± 5	-	$^\circ\text{C}$

Parameter	Symbol	Min	Typ	Max	Unit	
Power Supplies						
Power Supply Currents (Active State)	I_{A+} (VDDA = +3.3V)	PSCA	-	3.9	-	mA
Power Consumption (Note 5)	Active State (VDDA = +3.3V)	PC	-	12.9	-	mW
	Stand-by State		-	4.5	-	mW

- Notes:
- All outputs unloaded. All inputs CMOS level.
 - Temperature accuracy measured after calibration is performed.
 - Measurement method for PSRR: VDDA = +3.3V, a 150mV (zero-to-peak) (60Hz) sine wave is imposed onto the +3.3V DC supply voltage at the VDDA pin. The "+" and "-" input pins of both input channels are shorted to GNDA. The CS5484 is then commanded to continuous conversion acquisition mode, and digital output data is collected for the channel under test. The (zero-to-peak) value of the digital sinusoidal output signal is determined, and this value is converted into the (zero-to-peak) value of the sinusoidal voltage (measured in mV) that would need to be applied at the channel's inputs in order to cause the same digital sinusoidal output. This voltage is then defined as V_{eq} . PSRR is (in dB):

$$PSRR = 20 \cdot \log \left[\frac{150}{V_{eq}} \right]$$

VOLTAGE REFERENCE

Parameter	Symbol	Min	Typ	Max	Unit
Reference (Note 8)					
Output Voltage	VREF	+2.3	+2.4	+2.5	V
Temperature Coefficient	(Note 9) TC_{VREF}	-	25	-	ppm/°C
Load Regulation	(Note 10) ΔV_R	-	30	-	mV

- Notes:
- It is strongly recommended that no connection other than the required filter capacitor be made to VREF±.
 - The voltage at VREF± is measured across the temperature range. From these measurements the following formula is used to calculate the VREF temperature coefficient:

$$TC_{VREF} = \left(\frac{VREF_{MAX} - VREF_{MIN}}{VREF_{AVG}} \right) \left(\frac{1}{T_{A MAX} - T_{A MIN}} \right) (1.0 \times 10^6)$$

- Specified at maximum recommended output of 1µA sourcing. VREF is a sensitive signal; the output of the VREF circuit has a high output impedance so that the 0.1µF reference capacitor provides attenuation even to low-frequency noise, such as 50Hz noise on the VREF output. Therefore VREF intended for the CS5484 only and should not be connected to any external circuitry. The output impedance is sufficiently high that standard digital multi-meters can significantly load this voltage. The accuracy of the metrology IC cannot be guaranteed when a multimeter or any component other than the 0.1µF capacitor is attached to VREF. If it is desired to measure VREF for any reason other than a very coarse indicator of VREF functionality, Cirrus recommends a very high input impedance multimeter such as the Keithley Model 2000 Digital Multimeter be used. Cirrus cannot guarantee the accuracy of the metrology with this meter connected to VREF.

DIGITAL CHARACTERISTICS

- Min / Max characteristics and specifications are guaranteed over all [Recommended Operating Conditions](#).
- Typical characteristics and specifications are measured at nominal supply voltages and $T_A = 25^\circ\text{C}$.
- $V_{DDA} = +3.3\text{V} \pm 10\%$; $G_{NDA} = G_{NDD} = 0\text{V}$. All voltages with respect to 0V.
- $MCLK = 4.096\text{MHz}$.

Parameter	Symbol	Min	Typ	Max	Unit
Master Clock Characteristics					
XIN Clock Frequency Internal Gate Oscillator	MCLK	2.5	4.096	5	MHz
Filter Characteristics					
Phase Compensation Range (60Hz, OWR = 4000Hz)		-10.79	-	+10.79	°
Input Sampling Rate		-	MCLK/8	-	Hz
Digital Filter Output Word Rate (Both channels)	OWR	-	MCLK/1024	-	Hz
High-pass Filter Corner Frequency -3dB		-	2.0	-	Hz
Input/Output Characteristics					
High-level Input Voltage (All Pins)	V_{IH}	0.6(V _{DDA})	-	-	V
Low-level Input Voltage (All Pins)	V_{IL}	-	-	0.6	V
High-level Output Voltage (Note 12) DO1-DO4, $I_{out} = +10\text{mA}$ All Other Outputs, $I_{out} = +5\text{mA}$	V_{OH}	V _{DDA} -0.3 V _{DDA} -0.3	- -	- -	V V
Low-level Output Voltage (Note 12) DO1-DO4, $I_{out} = -12\text{mA}$ All Other Outputs, $I_{out} = -5\text{mA}$	V_{OL}	- -	- -	0.5 0.5	V V
Input Leakage Current	I_{in}	-	±1	±10	µA
3-state Leakage Current	I_{OZ}	-	-	±10	µA
Digital Output Pin Capacitance	C_{out}	-	5	-	pF

- Notes: 11. All measurements performed under static conditions.
 12. XOUT pin used for crystal only. Typical drive current < 1 mA.

SWITCHING CHARACTERISTICS

- Min / Max characteristics and specifications are guaranteed over all [Recommended Operating Conditions](#).
- Typical characteristics and specifications are measured at nominal supply voltages and $T_A = 25^\circ\text{C}$.
- $V_{DDA} = +3.3\text{V} \pm 10\%$; $G_{NDA} = G_{NDD} = 0\text{V}$. All voltages with respect to 0V.
- Logic Levels: Logic 0 = 0V, Logic 1 = V_{DDA} .

Parameter	Symbol	Min	Typ	Max	Unit	
Rise Times (Note 13)	DO1-DO4 Any Digital Output Except DO1-DO4	t_{rise}	- 50	- -	1.0 -	μs ns
Fall Times (Note 13)	DO1-DO4 Any Digital Output Except DO1-DO4	t_{fall}	- 50	- -	1.0 -	μs ns
Start-up						
Oscillator Start-up Time	XTAL = 4.096 MHz (Note 14)	t_{ost}	-	60	-	ms
SPI Timing						
Serial Clock Frequency	(Note 15)	SCLK	-	-	2	MHz
Serial Clock	Pulse Width High	t_1	200	-	-	ns
	Pulse Width Low	t_2	200	-	-	ns
$\overline{\text{CS}}$ Enable to SCLK Falling		t_3	50	-	-	ns
Data Set-up Time prior to SCLK Rising		t_4	50	-	-	ns
Data Hold Time After SCLK Rising		t_5	100	-	-	ns
SCLK Rising Prior to $\overline{\text{CS}}$ Disable		t_6	1	-	-	μs
SCLK Falling to New Data Bit		t_7	-	-	150	ns
$\overline{\text{CS}}$ Rising to SDO Hi-Z		t_8	-	-	250	ns
UART Timing						
$\overline{\text{CS}}$ Enable to RX START bit		t_9	5	-	-	ns
STOP bit to $\overline{\text{CS}}$ Disable		t_{10}	1	-	-	μs
$\overline{\text{CS}}$ Disable to TX IDLE Hold Time		t_{11}	-	-	250	ns

- Notes:
13. Specified using 10% and 90% points on waveform of interest. Output loaded with 50pF.
 14. Oscillator start-up time varies with crystal parameters. This specification does not apply when using an external clock source.
 15. The maximum SCLK is 2MHz during a byte transaction. The minimum 1 μs idle time is required on the SCLK between two consecutive bytes.

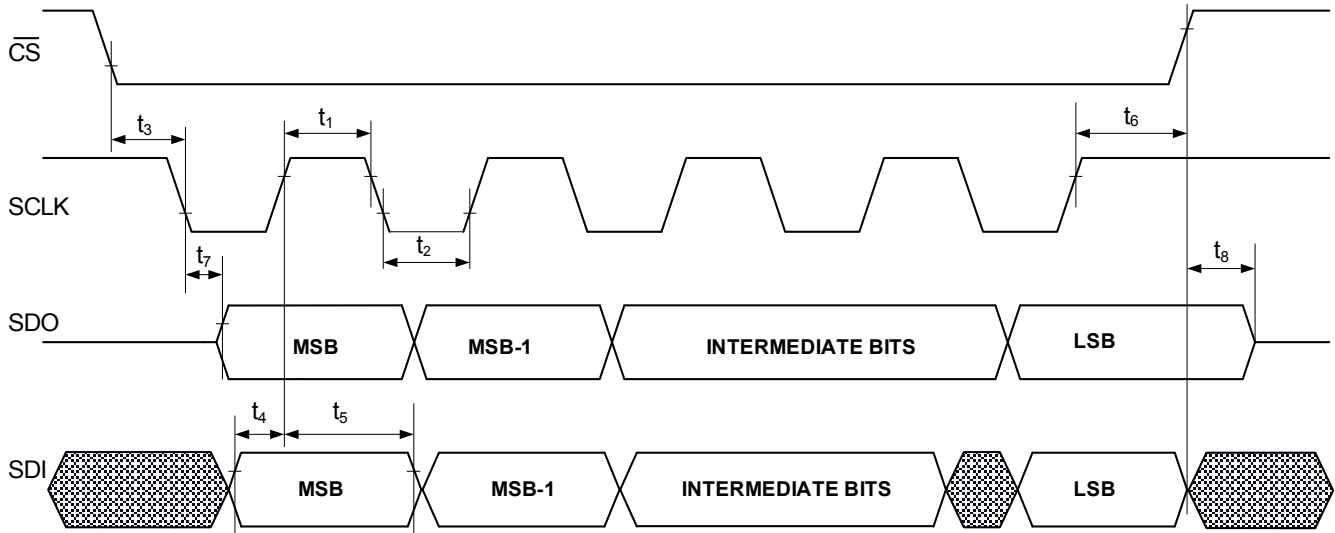
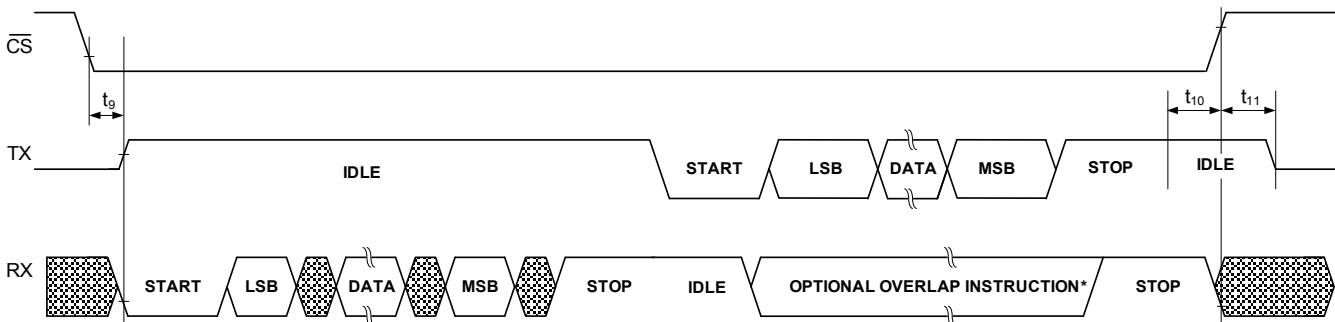


Figure 7. SPI Data and Clock Timing



* Reading registers during the optional overlap instruction requires the start to occur during the last byte transmitted by the part

Figure 8. Multi-Device UART Timing

ABSOLUTE MAXIMUM RATINGS

Parameter		Symbol	Min	Typ	Max	Unit
DC Power Supplies	(Note 16)	VDDA	-0.3	-	+4.0	V
Input Current	(Notes 17 and 18)	I _{IN}	-	-	±10	mA
Input Current for Power Supplies		-	-	-	±50	-
Output Current	(Note 19)	I _{OUT}	-	-	100	mA
Power Dissipation	(Note 20)	P _D	-	-	500	mW
Input Voltage	(Note 21)	V _{IN}	-0.3	-	(VDDA) + 0.3	V
Junction-to-Ambient Thermal Impedance	2 Layer Board 4 Layer Board	θ _{JA}	-	53 43	-	°C/W °C/W
Ambient Operating Temperature		T _A	-40	-	85	°C
Storage Temperature		T _{stg}	-65	-	150	°C

- Notes:
16. VDDA and GNDA must satisfy [(VDDA) – (GNDA)] ≤ + 4.0V.
 17. Applies to all pins, including continuous overvoltage conditions at the analog input pins.
 18. Transient current of up to 100mA will not cause SCR latch-up.
 19. Applies to all pins, except VREF±.
 20. Total power dissipation, including all input currents and output currents.
 21. Applies to all pins.

WARNING:

Operation at or beyond these limits may result in permanent damage to the device.
Normal operation is not guaranteed at these extremes.

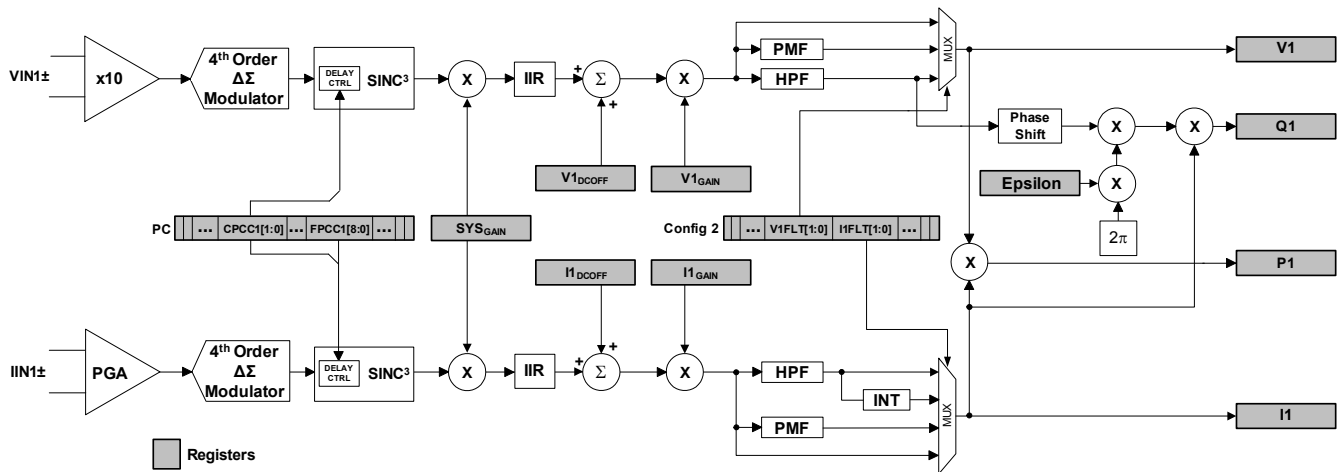


Figure 9. Signal Flow for V1, I1, P1, and Q1 Measurements

4. SIGNAL FLOW DESCRIPTION

The signal flow for voltage measurement, current measurement, and the other calculations is shown in Figures 9, 10, and 11.

The signal flow consists of two current channels and two voltage channels. The current and voltage channels have differential input pins.

4.1 Analog-to-Digital Converters

All four input channels use fourth-order delta-sigma modulators to convert the analog inputs to single-bit digital data streams. The converters sample at a rate of MCLK/8. This high sampling provides a wide dynamic range and simplifies anti-alias filter design.

4.2 Decimation Filters

The single-bit modulator output data is widened to 24 bits and down sampled to MCLK/1024 with low-pass decimation filters. These decimation filters are

third-order Sinc filters. The filter outputs pass through an IIR "anti-sinc" filter.

4.3 IIR Filters

The IIR filters are used to compensate for the amplitude roll-off of the decimation filters. The droop-correction filter flattens the magnitude response of the channel out to the Nyquist frequency, thus allowing for accurate measurements of up to 2 kHz (MCLK = 4.096 MHz). By default, the IIR filters are enabled. The IIR filters can be bypassed by setting the IIR_OFF bit in the Config2 register.

4.4 Phase Compensation

Phase compensation changes the phase of voltage relative to current by adding a delay in the decimation filters. The amount of phase shift is set by the PC register bits CPCCx[1:0] and FPCCx[8:0] for current channels. Bits CPCCx[1:0] set the delay for the voltage channels.

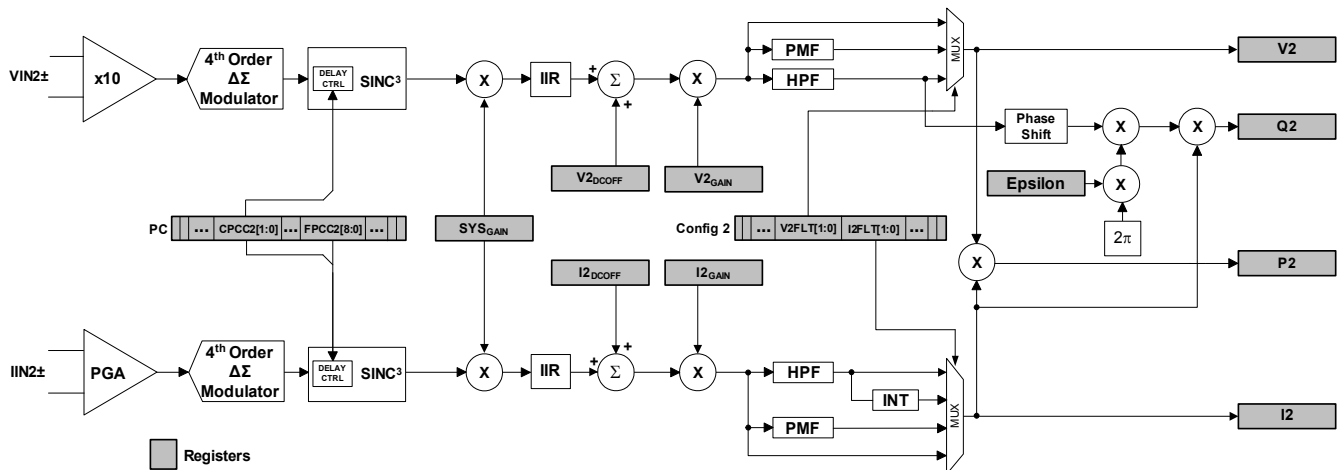


Figure 10. Signal Flow for V2, I2, P2, and Q2 Measurements

Fine phase compensation control bits, FPCCx[8:0], provide up to 1/OWR delay in the current channel. Coarse phase compensation control bits, CPCCx[1:0], provide an additional 1/OWR delay in the current channels or up to 2/OWR delay in the voltage channel. Negative delay in the voltage channel can be implemented by setting longer delay in the current channel than the voltage channel. For a OWR of 4000Hz, the delay range is $\pm 500\mu\text{s}$, a phase shift of $\pm 8.99^\circ$ at 50Hz and $\pm 10.79^\circ$ at 60 Hz. The step size is 0.008789° at 50 Hz and 0.010547° at 60Hz.

4.5 DC Offset and Gain Correction

The system and CS5484 inherently have component tolerances, gain, and offset errors, which can be removed using the gain and offset registers. Each measurement channel has its own set of gain and offset registers. For every instantaneous voltage and current sample, the offset and gain values are used to correct DC offset and gain errors in the channel (see section 7. [System Calibration](#) on page 62 for more details).

4.6 High-pass and Phase Matching Filters

Optional high-pass filters (HPF in [Figures 9 and 10](#)) remove any DC component from the selected signal paths. Each power calculation contains a current and voltage channel. If an HPF is enabled in only one channel, a phase-matching filter (PMF) should be applied to the other channel to match the phase response of the HPF. For AC power measurement, high-pass filters should be enabled on the voltage and current channels. For information about how to enable and disable the HPF or PMF on each channel, refer to section 6.6.3 [Configuration 2 \(Config2\) – Page 16, Address 0](#) on page 38.

4.7 Digital Integrators

Optional digital integrators (INT in [Figures 9 and 10](#)) are implemented on both current channels (I1, I2) to compensate for the 90° phase shift and 20dB/decade gain generated by the Rogowski coil current sensor. When a Rogowski coil is used as the current sensor, the integrator (INT) should be enabled on that current channel. For information about how to enable and disable the INT on each current channel, refer to section 6.6.3 [Configuration 2 \(Config2\) – Page 16, Address 0](#) on page 38.

4.8 Low-rate Calculations

All the RMS and power results come from low-rate calculations by averaging the output word rate (OWR) instantaneous values over N samples, where N is the value stored in the *SampleCount* register. The low-rate interval or averaging period is N divided by OWR (4000Hz if MCLK = 4.096MHz).

The CS5484 provides two averaging modes for low-rate calculations: Fixed Number of Samples Averaging mode and Line-cycle Synchronized Averaging mode. By default, the CS5484 averages with the Fixed Number of Samples Averaging mode. By setting the AVG_MODE bit in the *Config2* register, the CS5484 will use the Line-cycle Synchronized Averaging mode.

4.8.1 Fixed Number of Samples Averaging

N is the preset value in the *SampleCount* register and should not be set less than 100. By default, the *SampleCount* is 4000. With MCLK = 4.096MHz, the averaging period is fixed at $N/4000 = 1$ second, regardless of the line frequency.

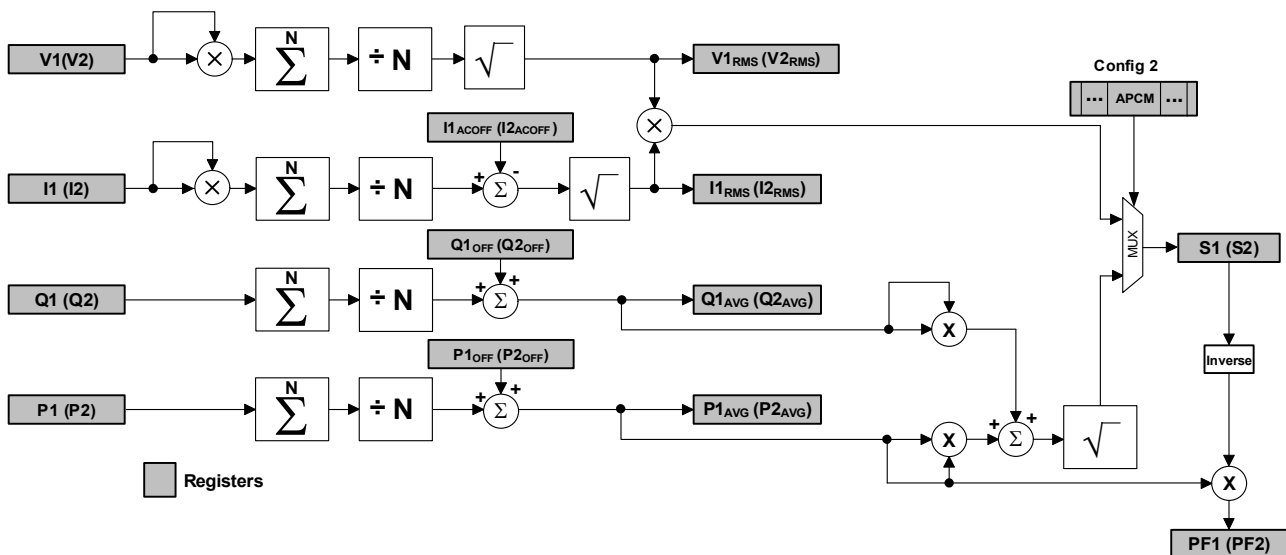


Figure 11. Low-rate Calculations

4.8.2 Line-cycle Synchronized Averaging

When operating in Line-cycle Synchronized Averaging mode, and when line frequency measurement is enabled (see section 5.4 *Line Frequency Measurement* on page 22), the CS5484 uses the voltage (V) channel zero crossings and measured line frequency to automatically adjust N such that the averaging period will be equal to the number of half line-cycles in the *CycleCount* register. For example, if the line frequency is 51 Hz, and the *CycleCount* register is set to 100, N will be $4000 \times (100/2) / 51 = 3921$ during continuous conversion. N is self-adjusted according to the line frequency, therefore the averaging period is always close to the whole number of half line-cycles, and the low-rate calculation results will minimize ripple and maximize resolution, especially when the line frequency varies. Before starting a low-rate conversion in the Line-cycle Synchronized Averaging mode, the *SampleCount* register should not be changed from its default value of 4000, and bit AFC of the *Config2* register must be set. During continuous conversion, the host processor should not change the *SampleCount* register.

4.8.3 RMS Current and Voltage

The root mean square (RMS in Figure 11) calculations are performed on N instantaneous current and voltage samples using Equation 1:

$$\text{RMS} = \sqrt{\frac{\sum_{n=0}^{N-1} I_n^2}{N}} \quad V_{\text{RMS}} = \sqrt{\frac{\sum_{n=0}^{N-1} V_n^2}{N}} \quad [\text{Eq: 1}]$$

4.8.4 Active Power

The instantaneous voltage and current samples are multiplied to obtain the instantaneous power ($P1$, $P2$) (see Figures 9 and 10). The product is then averaged over N samples to compute active power ($P1_{\text{AVG}}$, $P2_{\text{AVG}}$).

4.8.5 Reactive Power

Instantaneous reactive power ($Q1$, $Q2$) are sample rate results obtained by multiplying instantaneous current ($I1$, $I2$) by instantaneous quadrature voltage ($V1Q$, $V2Q$), which are created by phase shifting instantaneous voltage ($V1$, $V2$) 90 degrees using first-order integrators (see Figures 9 and 10). The gain of these integrators is inversely related to line frequency, so their gain is corrected by the *Epsilon* register, which is based on line frequency. Reactive power ($Q1_{\text{AVG}}$, $Q2_{\text{AVG}}$) is generated by integrating the instantaneous quadrature power over N samples.

4.8.6 Apparent Power

By default, the CS5484 calculates the apparent power ($S1$, $S2$) as the product of RMS voltage and current, as shown in Equation 2:

$$S = V_{\text{RMS}} \times I_{\text{RMS}} \quad [\text{Eq: 2}]$$

The CS5484 also provides an alternate apparent power calculation method. The alternate apparent power method uses real power ($P1_{\text{AVG}}$, $P2_{\text{AVG}}$) and reactive power ($Q1_{\text{AVG}}$, $Q2_{\text{AVG}}$) to calculate apparent power. See Equation 3:

$$S = \sqrt{Q_{\text{AVG}}^2 + P_{\text{AVG}}^2} \quad [\text{Eq: 3}]$$

The APCM bit in the *Config2* register controls which method is used for apparent power calculation.

4.8.7 Peak Voltage and Current

Peak current ($I1_{\text{PEAK}}$, $I2_{\text{PEAK}}$) and peak voltage ($V1_{\text{PEAK}}$, $V2_{\text{PEAK}}$) are calculated over N samples and recorded in the corresponding channel peak register documented in the register map. This peak value is updated every N samples.

4.8.8 Power Factor

Power factor ($PF1$, $PF2$) is active power divided by apparent power. The sign of the power factor is determined by the active power. See Equation 4:

$$\text{PF} = \frac{P_{\text{ACTIVE}}}{S} \quad [\text{Eq: 4}]$$

4.9 Average Active Power Offset

The average active power offset registers, $P1_{OFF}$ ($P2_{OFF}$), can be used to offset erroneous power sources resident in the system not originating from the power line. Residual power offsets are usually caused by crosstalk into current channels from voltage channels, or from ripple on the meter's or chip's power supply, or from inductance from a nearby transformer.

These offsets can be either positive or negative, indicating crosstalk coupling either in phase or out of phase with the applied voltage input. The power offset registers can compensate for either condition.

To use this feature, measure the average power at no load. Take the measured result (from the $P1_{AVG}$ ($P2_{AVG}$) register), invert (negate) the value, and write it to the associated average active power offset register, $P1_{OFF}$ ($P2_{OFF}$).

4.10 Average Reactive Power Offset

The average reactive power offset registers, $Q1_{OFF}$ ($Q2_{OFF}$), can be used to offset erroneous power sources resident in the system not originating from the power line. Residual reactive power offsets are usually caused by crosstalk into current channels from voltage channels, or from ripple on the meter's or chip's power supply, or from inductance from a nearby transformer.

These offsets can be either positive or negative, depending on the phase angle between the crosstalk coupling and the applied voltage. The reactive power offset registers can compensate for either condition. To use this feature, measure the average reactive power at no load. Take the measured result from the $Q1_{AVG}$ ($Q2_{AVG}$) register, invert (negate) the value and write it to the associated reactive power offset register, $Q1_{OFF}$ ($Q2_{OFF}$).

5. FUNCTIONAL DESCRIPTION

5.1 Power-on Reset

The CS5484 has an internal power supply supervisor circuit that monitors the VDDA and VDDD power supplies and provides the master reset to the chip. If any of these voltages are in the reset range, the master reset is triggered.

The CS5484 has dedicated power-on reset (POR) circuits for the analog supply and digital supply. During power-up, both supplies have to be above the rising threshold for the master reset to be de-asserted.

Each POR is divided into two blocks: rough and fine. Rough POR triggers the fine POR. Rough POR depends only on the supply voltage. The trip point for the fine POR is dependent on bandgap voltage for precise control. The POR circuit also acts as a brownout detect. The fine POR detects supply drops and asserts the master reset. The rough and fine PORs have hysteresis in their rise and fall thresholds, which prevents the reset signal from chattering.

Figure 12 shows the POR outputs for each of the power supplies. The POR_Fine_VDDA and POR_Fine_VDDD signals are AND-ed to form the actual power-on reset signal to the digital circuitry. The digital circuitry, in turn, holds the master reset signal for 130ms and then de-asserts the master reset.

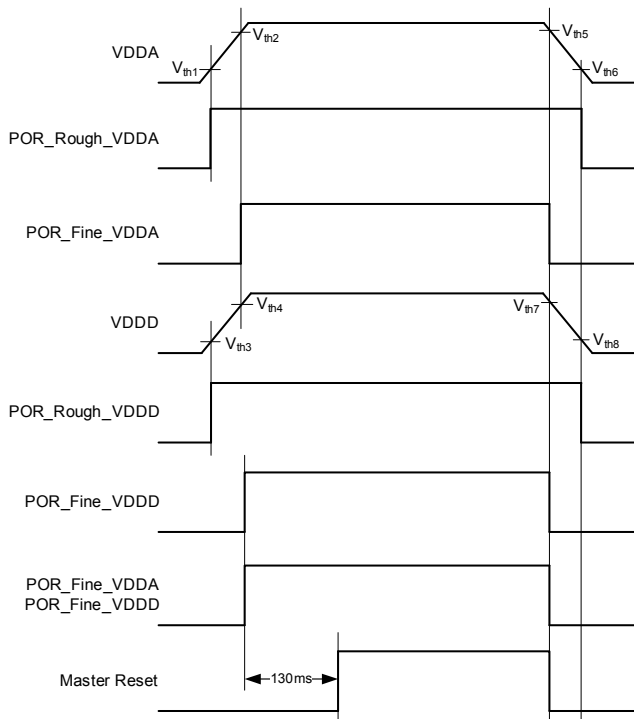


Figure 12. Power-on Reset Timing

Table 1. POR Thresholds

Typical POR Threshold		Rising	Falling
VDDA	Rough	V _{th1} = 2.34 V	V _{th6} = 2.06 V
	Fine	V _{th2} = 2.77 V	V _{th5} = 2.59 V
VDDD	Rough	V _{th3} = 1.20 V	V _{th8} = 1.06 V
	Fine	V _{th4} = 1.51 V	V _{th7} = 1.42 V

5.2 Power Saving Modes

Power Saving modes for the CS5484 are accessed through the Host Commands (see section 6.1 *Host Commands* on page 27).

- Standby: Powers down all the ADCs, rough buffer, and the temperature sensor. Standby mode disables the system time calculations. Use the wake-up command to come out of standby mode.
- Wake-up: Clears the ADC power-down bits and starts the system time calculations.

After any of these commands are completed, the DRDY bit is set in the *Status0* register.

5.3 Zero-crossing Detection

Zero-crossing detection logic is implemented in the CS5484. One current and one voltage channel can be selected for zero-crossing detection. The IZX_CH and VZX_CH control bits in the *Config0* register are used to select the zero-crossing channel. A low-pass filter can be enabled by setting the ZX_LPF bit in register *Config2*. The low-pass filter has a cut-off frequency of 80Hz. It is used to eliminate any harmonics and help the zero-crossing detection on the 50Hz or 60Hz fundamental component. The zero-crossing level registers are used to set the minimum threshold over which the channel peak must exceed in order for the zero-crossing detection logic to function. There are two separate zero-crossing level registers: VZX_{LEVEL} is the threshold for the voltage channels, and IZX_{LEVEL} is the threshold for the current channels.

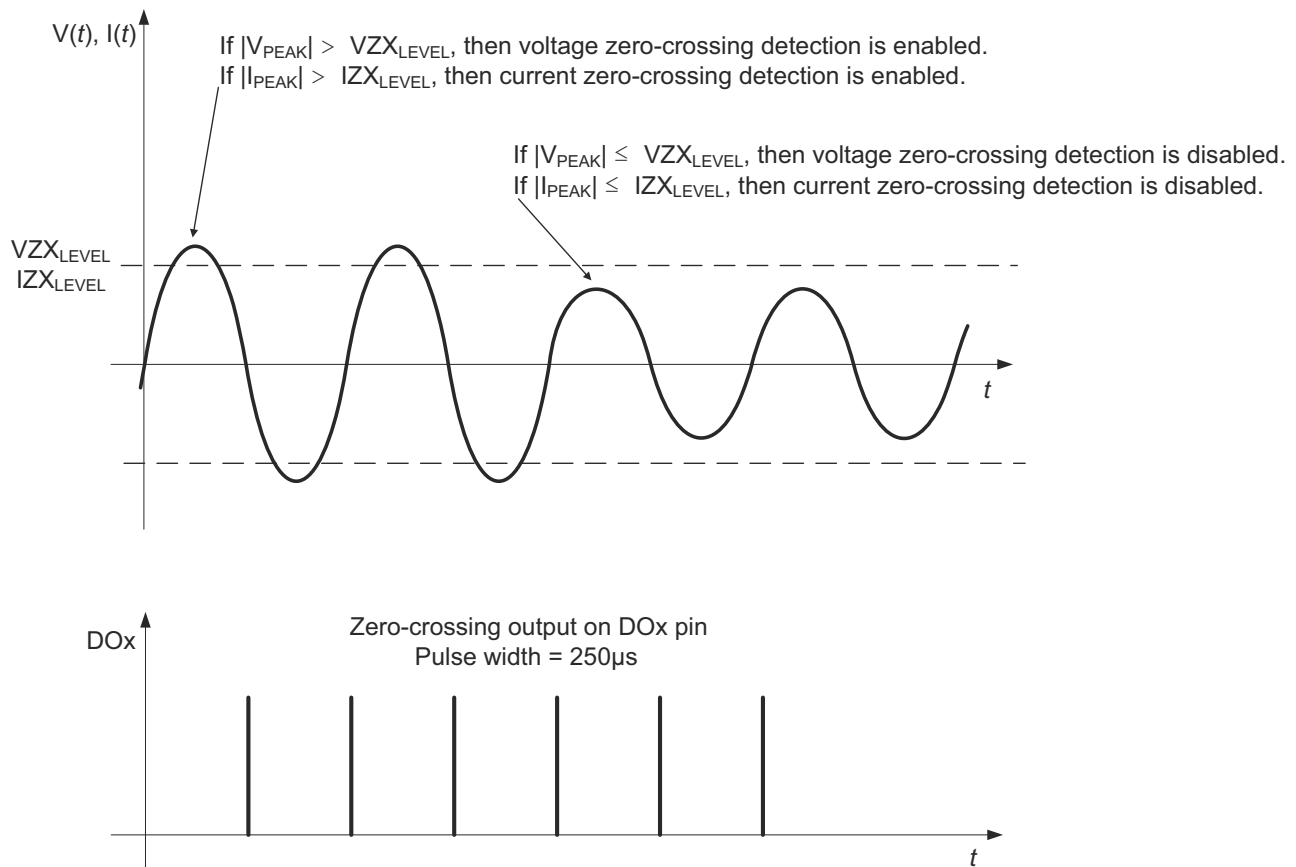


Figure 13. Zero-crossing Level and Zero-crossing Output on DOx

5.4 Line Frequency Measurement

If the Automatic Frequency Calculation (AFC) bit in the *Config2* register is set, the line frequency measurement on the voltage channel will be enabled. The line frequency measurement is based on a number of voltage channel zero crossings. This number is 100 by default and configurable through the ZX_{NUM} register (see section 6.6.76 on page 61). The *Epsilon* register will be updated automatically with the line frequency information. The Frequency Update (FUP) bit in the *Status0* interrupt status register is set when the frequency calculation is completed. When the line frequency is 50Hz and the ZX_{NUM} register is 100, the *Epsilon* register is updated every one second with a resolution of less than 0.1%. A larger zero-crossing number in the ZX_{NUM} register will increase line frequency measurement resolution and the period. Note that the CS5484 line frequency measurement function does not support the line frequency out of the range of 40Hz to 75Hz.

The *Epsilon* register is also used to set the gain of the 90° phase shift filter used in the quadrature power calculation. The value in the *Epsilon* register is the ratio of the line frequency to the output word rate (OWR). For 50Hz line frequency and 4000Hz OWR, *Epsilon* is 50/4000 (0.0125) (the default). For 60Hz line frequency, it is 60/4000 (0.015).

5.5 Energy Pulse Generation

The CS5484 provides four independent energy pulse generation blocks (EPG1, EPG2, EPG3, and EPG4) in order to simultaneously output active, reactive, and apparent energy pulses on any of the four digital output pins (DO1, DO2, DO3, and DO4). The energy pulse frequency is proportional to the magnitude of the power. The energy pulse output is commonly used as the test output of a power meter. The host microcontroller can also use the energy pulses to easily accumulate the energy. Refer to Figure 14.

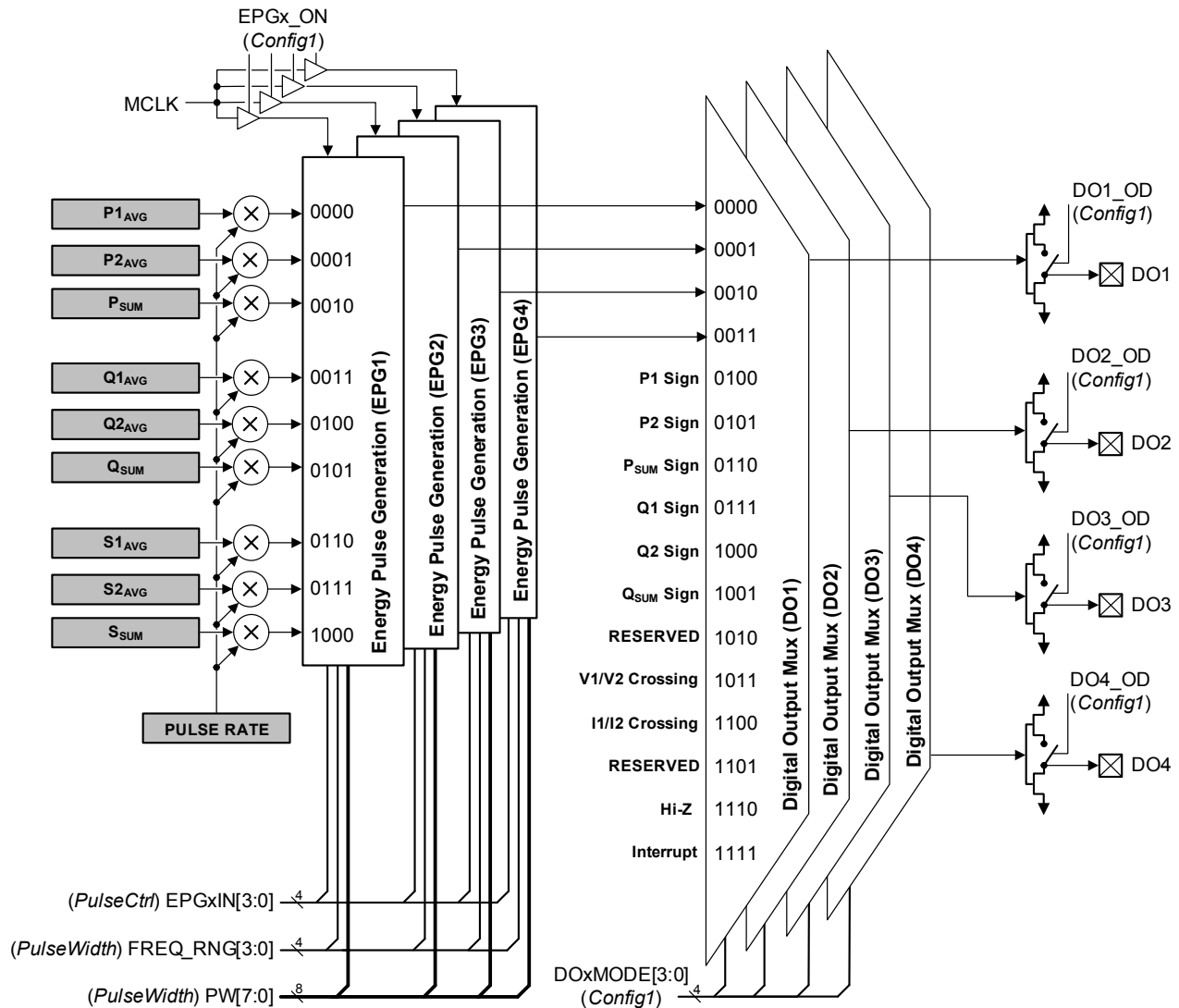


Figure 14. Energy Pulse Generation and Digital Output Control

After reset, all four energy pulse generation blocks are disabled ($DOxMODE[3:0] = \text{Hi-Z}$). To output a desired energy pulse to a DOx pin, it is necessary to follow the steps below:

1. Write to register *PulseWidth* (page 0, address 8) to select the energy pulse width and pulse frequency range.
2. Write to register *PulseRate* (page 18, address 28) to select the energy pulse rate.
3. Write to register *PulseCtrl* (page 0, address 9) to select the input to each energy pulse generation block.
4. Write '1' to bit $EPGx_ON$ of register *Config1* (page 0, address 1) to enable the desired energy pulse generation blocks.
5. Wait at least 0.1 seconds.
6. Write bits $DOxMODE[3:0]$ of register *Config1* to select DOx to output pulses from the appropriate energy pulse generation block.
7. Send DSP instruction (0xD5) to begin continuous conversion.

5.5.1 Pulse Rate

Before configuring the *PulseRate* register, the full-scale pulse rate needs to be calculated and the frequency range needs to be specified through *FREQ_RNG*[3:0] bits in the *PulseWidth* register. Refer to section [6.6.6 Pulse Output Width \(*PulseWidth*\) – Page 0, Address 8](#) on page 41. The *FREQ_RNG*[3:0] bits should be set to b[0110]. For example, if a meter has the meter constant of 1000imp/kWh, a maximum voltage (U_{MAX}) of 240 V, and a maximum current (I_{MAX}) of 100A, the maximum pulse rate is:

$$[1000 \times (240 \times 100 / 1000)] / 3600 = 6.6667 \text{ Hz.}$$

Assume the meter is calibrated with U_{MAX} and I_{MAX} , and the *Scale* register contains the default value of 0.6. After gain calibration, the power register value will be 0.36, which represents $240 \times 100 = 24 \text{ kW}$ or 6.6667 Hz pulse output rate. The full-scale pulse rate is:

$$F_{out} = 6.6667 / 0.36 = 18.5185 \text{ Hz.}$$

The CS5484 pulse generation block behaves as follows:

- The pulse rate generated by full-scale (1.0 decimal) power register is:

$$F_{OUT} = (PulseRate \times 2000) / 2^{FREQ_RNG}$$

- The *PulseRate* register value is:

$$\begin{aligned} PulseRate &= (F_{OUT} \times 2^{FREQ_RNG}) / 2000 \\ &= (18.5186 \times 64) / 2000 \\ &= 0.5925952 \\ &= 0x4BDA29 \end{aligned}$$

5.5.2 Pulse Width

The *PulseWidth* register defines the Active-low time of each energy pulse:

$$\text{Active-low} = 250 \mu\text{s} + (PulseWidth / 64000).$$

By default, the *PulseWidth* register value is 1, and the Active-low time of each energy pulse is 265.6 μs . Note that the pulse width should never exceed the pulse period.

5.6 Voltage Sag, Voltage Swell, and Overcurrent Detection

Voltage sag detection is used to determine when the voltage falls below a predetermined level for a specified interval of time (duration). Voltage swell and overcurrent detection determine when the voltage or current rises above a predetermined level for the duration.

The duration is set by the value in the *V1Sag_{DUR}* (*V2Sag_{DUR}*), *V1Swell_{DUR}* (*V2Swell_{DUR}*), and *I1Over_{DUR}* (*I2Over_{DUR}*) registers. Setting any of these to zero (default) disables the detect feature for the given channel. The value is in output word rate (OWR) samples. The predetermined level is set by the values in the *V1Sag_{LEVEL}* (*V2Sag_{LEVEL}*), *V1Swell_{DUR}* (*V2Swell_{DUR}*), and *I1Over_{LEVEL}* (*I2Over_{LEVEL}*) registers.

For each enabled input channel, the measured value is rectified and compared to the associated level register. Over the duration window, the number of samples above and below the level are counted. If the number of samples below the level exceeds the number of samples above, a *Status0* register bit *V1SAG* (*V2SAG*) is set, indicating a sag condition. If the number of samples above the level exceeds the number of samples below, a *Status0* register bit *V1SWELL* (*V2SWELL*) or *I1OVER* (*I2OVER*) is set, indicating a swell or overcurrent condition (see [Figure 15](#)).

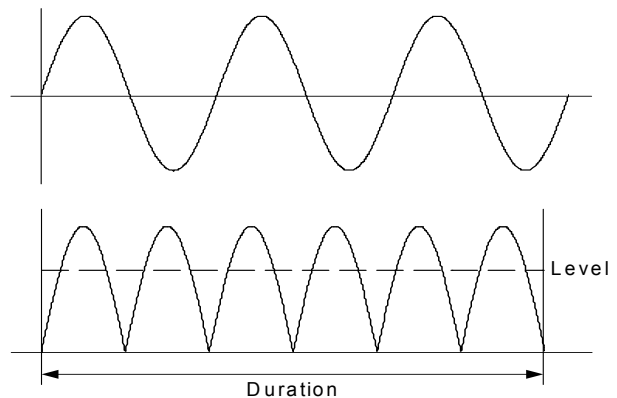


Figure 15. Sag, Swell, and Overcurrent Detect

5.7 Phase Sequence Detection

Polyphase meters using multiple CS5484 devices may be configured to sense the succession of voltage zero-crossings and determine which phase order is in service. The phase sequence detection within CS5484 involves counting the number of OWR samples from a starting point to the next voltage zero-crossing rising edge or falling for each phase. By comparing the count for each phase, the phase sequence can be easily determined: the smallest count is first, and the largest count is last.

The phase sequence detection and control (*PSDC*) register provides the count control, zero-crossing direction and count results. Writing '0' to bit DONE and '10110' to bits CODE[4:0] of the *PSDC* register followed by a falling edge on the RX pin will initiate the phase sequence detection circuit. The RX pin must be held low for a minimum of 500ns. When the device is in UART mode, it is recommended that a 0xFF command be written to all parts to start the phase sequence detection. This command is ignored by the UART interface and a checksum is not needed. Multiple CS5484 devices in a polyphase meter must receive the register writing and the RX falling edge at the same time so that all CS5484 devices start to count simultaneously. Bit DIR of the *PSDC* register specifies the direction of the next zero-crossing at which the count stops. If bit DIR is '0', the count stops at the next negative-to-positive zero crossing. If bit DIR is '1', the count stops at the next positive-to-negative zero-crossing. When the count stops, the DONE bit will be set by the CS5484, and then the count result of each phase may be read from bits PSCNT[6:0] of the *PSDC* register.

If the PSCNT[6:0] bits are equal to 0x00, 0x7F or greater than 0x64 (for 50Hz) or 0x50 (for 60Hz), then a measurement error has occurred, and the measurement results should be disregarded. This could happen when the voltage input signal amplitude is lower than the amplitude specified in the VZX_{LEVEL} register.

To determine the phase order, the PSCNT[6:0] bit count from each CS5484 is sorted in ascending order. Figure 16 and Figure 17 illustrate how phase sequence detection is performed.

Phase sequences A, B, and C for the default rising edge transition are illustrated in Figure 16. The PSCNT[6:0] bits from the CS5484 on phase A will have the lowest count, followed by the PSCNT[6:0] bits from the CS5484 on phase B with the middle count, and the PSCNT[6:0] bits from the CS5484 on phase C with the highest count.

Phase sequences C, B, and A for rising edge transition are illustrated in Figure 17. The PSCNT[6:0] bits from the CS5484 on phase C will have the lowest count, followed by the PSCNT[6:0] bits from the CS5484 on phase B with the middle count, and the PSCNT[6:0] bits from the CS5484 on phase A with the highest count.

5.8 Temperature Measurement

The CS5484 has an internal temperature sensor, which is designed to measure temperature and optionally compensate for temperature drift of the voltage reference. Temperature measurements are stored in the Temperature register (T), which, by default, is configured to a range of ± 128 degrees on the Celsius ($^{\circ}\text{C}$) scale.

The application program can change both the scale and range of temperature by changing the Temperature Gain (T_{GAIN}) and Temperature Offset (T_{OFF}) registers.

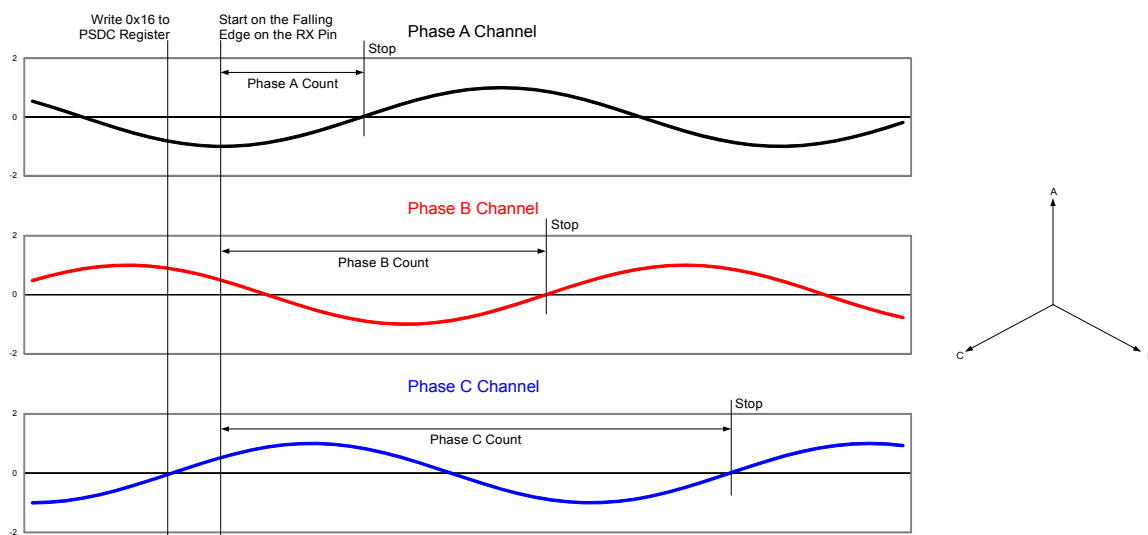


Figure 16. Phase Sequence A, B, C for Rising Edge Transition

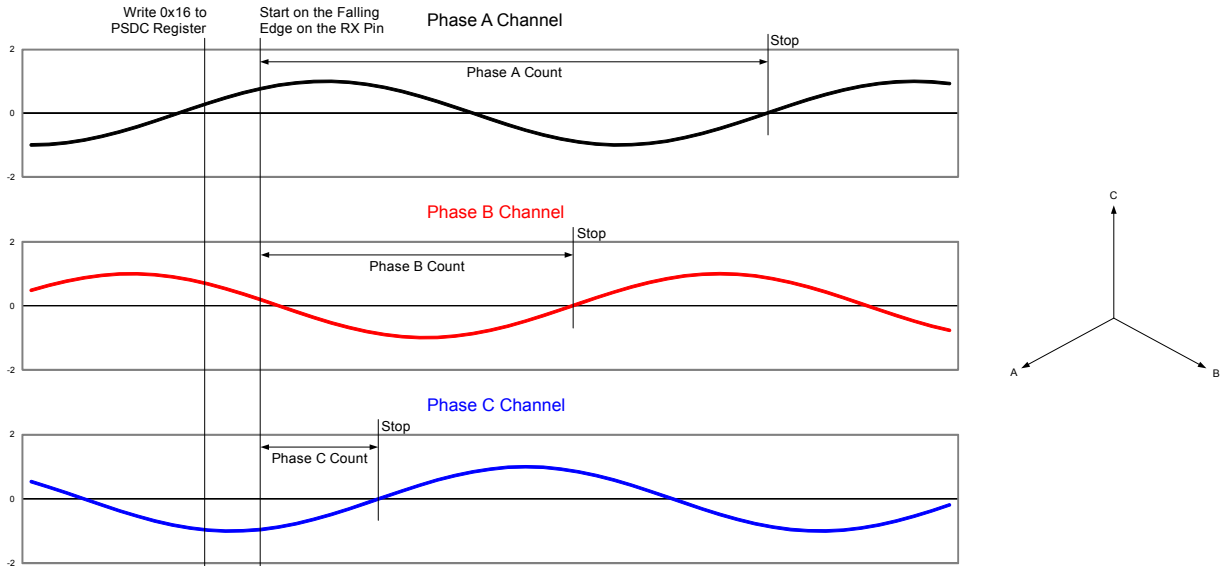


Figure 17. Phase Sequence C, B, A for Rising Edge Transition

The temperature sensor and V2 input share the same delta-sigma modulator on the second voltage channel. By default, the temperature measurement is disabled, and the delta-sigma modulator is used for V2 measurement. To enable temperature measurement, set Config0 register bit 23, bit 22, and bit 13.

The Temperature register (T) updates every 2240 output word rate (OWR) samples. The *Status0* register bit TUP indicates when T is updated. The temperature measurement and the second voltage channel, V2, share the same delta-sigma modulator, so the V2 measurement will be using the V1 delta-sigma modulator output when temperature measurement is enabled.

5.9 Anti-creep

The anti-creep (no-load threshold) is used to determine if a no-load condition is detected. The $|P_{SUM}|$ and $|Q_{SUM}|$ are compared to the value in the No-Load Threshold register ($Load_{MIN}$). If both $|P_{SUM}|$ and $|Q_{SUM}|$ are less than this threshold, then P_{SUM} and Q_{SUM} are forced to zero. If S_{SUM} is less than the value in $Load_{MIN}$ register, then S_{SUM} is forced to zero.

5.10 Register Protection

To prevent the critical configuration and calibration registers from unintended changes, the CS5484 provides two enhanced register protection mechanisms: write protection and automatic checksum calculation.

5.10.1 Write Protection

Setting the DSP_LCK[4:0] bits in the *RegLock* register to 0x16 enables the CS5484 DSP lockable registers to be write-protected from the calculation engine. Setting

the DSP_LCK[4:0] bits to 0x09 disables the write-protection mode.

Setting the HOST_LCK[4:0] bits in the *RegLock* register to 0x16 enables the CS5484 HOST lockable registers to be write-protected from the serial interface. Setting the HOST_LCK[4:0] bits to 0x09 disables the write-protection mode.

For registers that are DSP lockable, HOST lockable, or both, refer to sections [6.2 Hardware Registers Summary \(Page 0\)](#) on page 29, [6.3 Software Registers Summary \(Page 16\)](#) on page 31, and [6.4 Software Registers Summary \(Page 17\)](#) on page 33.

5.10.2 Register Checksum

All the configuration and calibration registers are protected by checksum, if enabled. Refer to [6.2 Hardware Registers Summary \(Page 0\)](#) on page 29, [6.3 Software Registers Summary \(Page 16\)](#) on page 31, and [6.4 Software Registers Summary \(Page 17\)](#) on page 33. The checksum for all registers marked with an asterisk symbol (*) is calculated once every low-rate cycle. The checksum result is stored in the *RegChk* register. After the CS5484 has been fully configured and loaded with the calibrations, the host microcontroller should keep a copy of the checksum (*RegChk_Copy*) in its memory. In normal operation, the host microcontroller can read the *RegChk* register and compare it with the saved copy of the *RegChk* register. If the two values mismatch, a reload of configurations and calibrations into the CS5484 is necessary.

The automatic checksum computation can be disabled by setting the REG_CSUM_OFF bit in the *Config2* register.

6. HOST COMMANDS AND REGISTERS

6.1 Host Commands

The first byte sent to the CS5484 SDI/RX pin contains the host command. Four types of host commands are required to read and write registers and instruct the calculation engine. The two most significant bits (MSBs) of the host command defines the function to be performed. The following table depicts the types of commands.

Table 2. Command Format

Function	Binary Value	Note
Register Read	0 0 $A_5 A_4 A_3 A_2 A_1 A_0$	$A_{[5:0]}$ specifies the register address.
Register Write	0 1 $A_5 A_4 A_3 A_2 A_1 A_0$	
Page Select	1 0 $P_5 P_4 P_3 P_2 P_1 P_0$	$P_{[5:0]}$ specifies the page.
Instruction	1 1 $C_5 C_4 C_3 C_2 C_1 C_0$	$C_{[5:0]}$ specifies the instruction.

6.1.1 Memory Access Commands

The CS5484 memory has 12-bit addresses and is organized as $P_5 P_4 P_3 P_2 P_1 P_0 A_5 A_4 A_3 A_2 A_1 A_0$ in 64 pages of 64 addresses each. The higher 6 bits specify the page number. The lower 6 bits specify the address within the selected page.

6.1.1.1 Page Select

A page select command is designated by setting the two MSBs of the command to binary '10'. The page select command provides the CS5484 with the page number of the register to access. Register read and write commands access 1 of 64 registers within a specified page. Subsequent register reads and writes can be performed once the page has been selected.

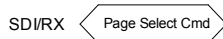


Figure 18. Byte Sequence for Page Select

6.1.1.2 Register Read

A register read is designated by setting the two MSBs of the command to binary '00'. The lower 6 bits of the register read command are the lower 6 bits of the 12-bit register address. After the register read command has been received, the CS5484 will send 3 bytes of register data onto the SDO/TX pin.



Figure 19. Byte Sequence for Register Read

6.1.1.3 Register Write

A register write command is designated by setting the two MSBs of the command to binary '01'. The lower 6 bits of the register write command are the lower 6 bits of the 12-bit register address. A register write command must be followed by 3 bytes of data.

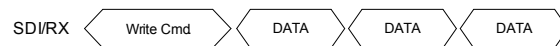


Figure 20. Byte Sequence for Register Write

6.1.2 Instructions

An instruction command is designated by setting the two MSBs of the command to binary '11'. An Instruction command will interrupt any process currently running and initiate a new process in the CS5484.

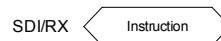


Figure 21. Byte Sequence for Instructions

These new processes include calibration, power control, and soft reset. The following table depicts the types of instructions. These new processes include calibration, power control, and soft reset. The following table depicts the types of instructions. Note that when the CS5484 is in continuous conversion mode, an unexpected or invalid instruction command could cause the device to stop continuous conversion and enter an unexpected operation mode. The host processor should keep monitoring the CS5484 operation status and react accordingly.

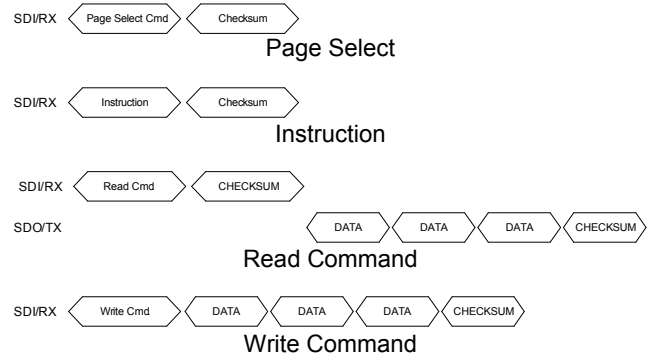
Table 3. Instruction Format

Function	Binary Value	Note
Controls	0 $C_4 C_3 C_2 C_1 C_0$	$C_{[5]}$ specifies the instruction type: 0 = Controls 1 = Calibrations
	0 00001 - Software Reset	
	0 00010 - Standby	
	0 00011 - Wakeup	
	0 10100 - Single Conv.	
0 10101 - Continuous Conv.		
0 11000 - Halt Conv.		
Calibrations	1 $C_4 C_3 C_2 C_1 C_0$	For calibrations, $C_{[4:3]}$ specifies the type of calibration. *AC Offset calibration valid only for current channel
	1 00 $C_2 C_1 C_0$ DC Offset	
	1 10 $C_2 C_1 C_0$ AC Offset*	
	1 11 $C_2 C_1 C_0$ Gain	
	1 $C_4 C_3 C_2 C_1 C_0$	For calibrations, $C_{[2:0]}$ specifies the channel(s).
	1 $C_4 C_3$ 0 0 1 I1	
	1 $C_4 C_3$ 0 1 0 V1	
1 $C_4 C_3$ 0 1 1 I2		
1 $C_4 C_3$ 1 0 0 V2		
1 $C_4 C_3$ 1 1 0 All Four		

6.1.3 Checksum

To improve the communication reliability on the serial interface, the CS5484 provides a checksum mechanism on transmitted and received signals. Checksum is disabled by default but can be enabled by setting the appropriate bit in the *SerialCtrl* register. When enabled, both host and CS5484 are expected to send one additional checksum byte after the normal command byte and applicable 3-byte register data has been transmitted.

The checksum is calculated by subtracting each transmit byte from 0xFF. Any overflow is truncated and the result wraps. The CS5484 executes the command only if the checksum transmitted by the host matches the checksum calculated locally. Otherwise, it sets a status bit (RX_CSUM_ERR in the *Status0* register), ignores the command, and clears the serial interface in preparation for the next transmission.


Figure 22. Byte Sequence for Checksum

6.1.4 Serial Time Out

In case a transaction from the host is not completed (for example, a data byte is missing in a register write), a time out circuit will reset the interface after 128ms. This will require that each byte be sent from the host within 128ms of the previous byte.

6.2 Hardware Registers Summary (Page 0)

<u>Address²</u>	<u>RAI5:01</u>	<u>Name</u>	<u>Description¹</u>	<u>DSP³</u>	<u>HOST³</u>	<u>Default</u>
0*	00 0000	Config0	Configuration 0	Y	Y	0x 40 0000
1*	00 0001	Config1	Configuration 1	Y	Y	0x 00 EEEE
2	00 0010	Reserved			-	
3*	00 0011	Mask	Interrupt Mask	Y	Y	0x 00 0000
4	00 0100	-	Reserved			-
5*	00 0101	PC	Phase Compensation Control	Y	Y	0x 00 0000
6	00 0110	-	Reserved			-
7*	00 0111	SerialCtrl	UART Control	Y	Y	0x 02 004D
8*	00 1000	PulseWidth	Energy Pulse Width	Y	Y	0x 00 0001
9*	00 1001	PulseCtrl	Energy Pulse Control	Y	Y	0x 00 0000
10	00 1010	-	Reserved			-
11	00 1011	-	Reserved			-
12	00 1100	-	Reserved			-
13	00 1101	-	Reserved			-
14	00 1110	-	Reserved			-
15	00 1111	-	Reserved			-
16	01 0000	-	Reserved			-
17	01 0001	-	Reserved			-
18	01 0010	-	Reserved			-
19	01 0011	-	Reserved			-
20	01 0100	-	Reserved			-
21	01 0101	-	Reserved			-
22	01 0110	-	Reserved			-
23	01 0111	Status0	Interrupt Status	N	N	0x 80 0000
24	01 1000	Status1	Chip Status 1	N	N	0x 80 1800
25	01 1001	Status2	Chip Status 2	N	N	0x 00 0000
26	01 1010	-	Reserved			-
27	01 1011	-	Reserved			-
28	01 1100	-	Reserved			-
29	01 1101	-	Reserved			-
30	01 1110	-	Reserved			-
31	01 1111	-	Reserved			-
32	10 0000	-	Reserved			-
33	10 0001	-	Reserved			-
34*	10 0010	RegLock	Register Lock Control	N	N	0x 00 0000
35	10 0011	-	Reserved			-
36	10 0100	V1 _{PEAK}	V1 Peak Voltage	N	Y	0x 00 0000
37	10 0101	I1 _{PEAK}	I1 Peak Current	N	Y	0x 00 0000
38	10 0110	V2 _{PEAK}	V2 Peak Voltage	N	Y	0x 00 0000
39	10 0111	I2 _{PEAK}	I2 Peak Current	N	Y	0x 00 0000
40	10 1000	-	Reserved			-
41	10 1001	-	Reserved			-
42	10 1010	-	Reserved			-
43	10 1011	-	Reserved			-
44	10 1100	-	Reserved			-
45	10 1101	-	Reserved			-
46	10 1110	-	Reserved			-
47	10 1111	-	Reserved			-
48	11 0000	PSDC	Phase Sequence Detection & Control	N	Y	0x 00 0000
49	11 0001	-	Reserved			-
50	11 0010	-	Reserved			-
51	11 0011	-	Reserved			-
52	11 0100	-	Reserved			-

53	11 0101	-	Reserved			-
54	11 0110	-	Reserved			-
55	11 0111	ZX _{NUM}	Num. Zero Crosses used for Line Freq.	Y	Y	0x00 0064
56	11 1000	-	Reserved			-
57	11 1001	-	Reserved			-
58	11 1010	-	Reserved			-
59	11 1011	-	Reserved			-
60	11 1100	-	Reserved			-
61	11 1101	-	Reserved			-
62	11 1110	-	Reserved			-
63	11 1111	-	Reserved			-

- Notes:
- (1) Warning: *Do not* write to unpublished or reserved register locations.
 - (2) * Registers with checksum protection.
 - (3) Registers that can be set to write protect from DSP and/or HOST.

6.3 Software Registers Summary (Page 16)

<u>Address²</u>	<u>RA[5:0]</u>	<u>Name</u>	<u>Description¹</u>	<u>DSP³</u>	<u>HOST³</u>	<u>Default</u>
0*	00 0000	Config2	Configuration 2	Y	Y	0x 06 0200
1	00 0001	RegChk	Register Checksum	N	Y	0x 00 0000
2	00 0010	I1	I1 Instantaneous Current	N	Y	0x 00 0000
3	00 0011	V1	V1 Instantaneous Voltage	N	Y	0x 00 0000
4	00 0100	P1	Instantaneous Power 1	N	Y	0x 00 0000
5	00 0101	P1 _{AVG}	Active Power 1	N	Y	0x 00 0000
6	00 0110	I1 _{RMS}	I1 RMS Current	N	Y	0x 00 0000
7	00 0111	V1 _{RMS}	V1 RMS Voltage	N	Y	0x 00 0000
8	00 1000	I2	I2 Instantaneous Current	N	Y	0x 00 0000
9	00 1001	V2	V2 Instantaneous Voltage	N	Y	0x 00 0000
10	00 1010	P2	Instantaneous Power 2	N	Y	0x 00 0000
11	00 1011	P2 _{AVG}	Active Power 2	N	Y	0x 00 0000
12	00 1100	I2 _{RMS}	I2 RMS Current	N	Y	0x 00 0000
13	00 1101	V2 _{RMS}	V2 RMS Voltage	N	Y	0x 00 0000
14	00 1110	Q1 _{AVG}	Reactive Power 1	N	Y	0x 00 0000
15	00 1111	Q1	Instantaneous Reactive Power 1	N	Y	0x 00 0000
16	01 0000	Q2 _{AVG}	Reactive Power 2	N	Y	0x 00 0000
17	01 0001	Q2	Instantaneous Reactive Power 2	N	Y	0x 00 0000
18	01 0010	-	Reserved			-
19	01 0011	-	Reserved			-
20	01 0100	S1	Apparent Power 1	N	Y	0x 00 0000
21	01 0101	PF1	Power Factor 1	N	Y	0x 00 0000
22	01 0110	-	Reserved			-
23	01 0111	-	Reserved			-
24	01 1000	S2	Apparent Power 2	N	Y	0x 00 0000
25	01 1001	PF2	Power Factor 2	N	Y	0x 00 0000
26	01 1010	-	Reserved			-
27	01 1011	T	Temperature	N	Y	0x 00 0000
28	01 1100	-	Reserved			-
29	01 1101	P _{SUM}	Total Active Power	N	Y	0x 00 0000
30	01 1110	S _{SUM}	Total Apparent Power	N	Y	0x 00 0000
31	01 1111	Q _{SUM}	Total Reactive Power	N	Y	0x 00 0000
32*	10 0000	I1 _{DCOFF}	I1 DC Offset	Y	Y	0x 00 0000
33*	10 0001	I1 _{GAIN}	I1 Gain	Y	Y	0x 40 0000
34*	10 0010	V1 _{DCOFF}	V1 DC Offset	Y	Y	0x 00 0000
35*	10 0011	V1 _{GAIN}	V1 Gain	Y	Y	0x 40 0000
36*	10 0100	P1 _{OFF}	Average Active Power 1 Offset	Y	Y	0x 00 0000
37*	10 0101	I1 _{ACOFF}	I1 AC Offset	Y	Y	0x 00 0000
38*	10 0110	Q1 _{OFF}	Average Reactive Power 1 Offset	Y	Y	0x 00 0000
39*	10 0111	I2 _{DCOFF}	I2 DC Offset	Y	Y	0x 00 0000
40*	10 1000	I2 _{GAIN}	I2 Gain	Y	Y	0x 40 0000
41*	10 1001	V2 _{DCOFF}	V2 DC Offset	Y	Y	0x 00 0000
42*	10 1010	V2 _{GAIN}	V2 Gain	Y	Y	0x 40 0000
43*	10 1011	P2 _{OFF}	Average Active Power 2 Offset	Y	Y	0x 00 0000
44*	10 1100	I2 _{ACOFF}	I2 AC Offset	Y	Y	0x 00 0000
45*	10 1101	Q2 _{OFF}	Average Reactive Power 2 Offset	Y	Y	0x 00 0000
46	10 1110	-	Reserved			-
47	10 1111	-	Reserved			-
48	11 0000	-	Reserved			-
49	11 0001	Epsilon	Ratio of Line to Sample Frequency	N	Y	0x 01 999A
50*	11 0010	-	Reserved			-
51**	11 0011	SampleCount	Sample Count	N	Y	0x 00 0FA0
52	11 0100	-	Reserved			-

53	11 0101	-	Reserved			-
54*	11 0110	T _{GAIN}	Temperature Gain	Y	Y	0x 06 B716
55*	11 0111	T _{OFF}	Temperature Offset	Y	Y	0x D5 3998
56*	11 1000	-	Reserved			-
57	11 1001	T _{SETTLE}	Filter Settling Time to Conv. Startup	Y	Y	0x 00 001E
58*	11 1010	Load _{MIN}	No-Load Threshold	Y	Y	0x 00 0000
59*	11 1011	-	Reserved			-
60*	11 1100	SYS _{GAIN}	System Gain	N	Y	0x 50 0000
61	11 1101	Time	System Time (in samples)	N	Y	0x 00 0000
62	11 1110	-	Reserved			-
63	11 1111	-	Reserved			-

Notes:

(1) Warning: *Do not* write to unpublished or reserved register locations.

(2) * Registers with checksum protection.

** When setting the AVG_MODE bit (AVG_MODE = '1') in the *Config2* register, the device will use the Line-cycle Synchronized Averaging mode and the *CycleCount* register will be included in the checksum. Otherwise the *SampleCount* register will be included.

(3) Registers that can be set to write protect from DSP and/or HOST.

6.4 Software Registers Summary (Page 17)

<u>Address²</u>	<u>RA[5:0]</u>	<u>Name</u>	<u>Description¹</u>	<u>DSP³</u>	<u>HOST³</u>	<u>Default</u>
0*	00 0000	V1Sag _{DUR}	V1 Sag Duration	Y	Y	0x 00 0000
1*	00 0001	V1Sag _{Level}	V1 Sag Level	Y	Y	0x 00 0000
2	00 0010	-	Reserved			-
3	00 0011	-	Reserved			-
4*	00 0100	I1Over _{DUR}	I1 Overcurrent Duration	Y	Y	0x 00 0000
5*	00 0101	I1Over _{LEVEL}	I1 Overcurrent Level	Y	Y	0x 7F FFFF
6	00 0110	-	Reserved			-
7	00 0111	-	Reserved			-
8*	00 1000	V2Sag _{DUR}	V2 Sag Duration	Y	Y	0x 00 0000
9*	00 1001	V2Sag _{Level}	V2 Sag Level	Y	Y	0x 00 0000
10	00 1010	-	Reserved			-
11	00 1011	-	Reserved			-
12*	00 1100	I2Over _{DUR}	I2 Overcurrent Duration	Y	Y	0x 00 0000
13*	00 1101	I2Over _{LEVEL}	I2 Overcurrent Level	Y	Y	0x 7F FFFF
14	00 1110	-	Reserved			-
15	00 1111	-	Reserved			-
16	01 0000	-	Reserved			-
17	01 0001	-	Reserved			-
18	01 0010	-	Reserved			-
19	01 0011	-	Reserved			-
20	01 0100	-	Reserved			-
21	01 0101	-	Reserved			-
22	01 0110	-	Reserved			-
23	01 0111	-	Reserved			-
24	01 1000	-	Reserved			-
25	01 1001	-	Reserved			-
26	01 1010	-	Reserved			-
27	01 1011	-	Reserved			-
28	01 1100	-	Reserved			-
29	01 1101	-	Reserved			-
30	01 1110	-	Reserved			-
31	01 1111	-	Reserved			-

- Notes:
- (1) Warning: *Do not* write to unpublished or reserved register locations.
 - (2) * Registers with checksum protection.
 - (3) Registers that can be set to write protect from DSP and/or HOST.

6.5 Software Registers Summary (Page 18)

<u>Address²</u>	<u>RA[5:0]</u>	<u>Name</u>	<u>Description¹</u>	<u>DSP³</u>	<u>HOST³</u>	<u>Default</u>
24*	01 1000	IZX _{LEVEL}	Zero-Cross Threshold for I-Channel	Y	Y	0x 10 0000
25	01 1001	-	Reserved			-
26	01 1010	-	Reserved			-
27	01 1011	-	Reserved			-
28*	01 1100	PulseRate	Energy Pulse Rate	Y	Y	0x 80 0000
29	01 1101	-	Reserved			-
30	01 1110	-	Reserved			-
31	01 1111	-	Reserved			-
32	10 0000	-	Reserved			-
33	10 0001	-	Reserved			-
34	10 0010	-	Reserved			-
35	10 0011	-	Reserved			-
36	10 0100	-	Reserved			-
37	10 0101	-	Reserved			-
38	10 0110	-	Reserved			-
39	10 0111	-	Reserved			-
40	10 1000	-	Reserved			-
41	10 1001	-	Reserved			-
42	10 1010	-	Reserved			-
43*	10 1011	INT _{GAIN}	Rogowski Coil Integrator Gain	Y	Y	0x14 3958
44	10 1100	-	Reserved			-
45	10 1101	-	Reserved			-
46*	10 1110	V1Swell _{DUR}	V1 Swell Duration	Y	Y	0x 00 0000
47*	10 1111	V1Swell _{LEVEL}	V1 Swell Level	Y	Y	0x 7F FFFF
48	11 0000	-	Reserved			-
49	11 0001	-	Reserved			-
50*	11 0010	V2Swell _{DUR}	V2 Swell Duration	Y	Y	0x 00 0000
51*	11 0011	V2Swell _{LEVEL}	V2 Swell Level	Y	Y	0x 7F FFFF
52	11 0100	-	Reserved			-
53	11 0101	-	Reserved			-
54	11 0110	-	Reserved			-
55	11 0111	-	Reserved			-
56	11 1000	-	Reserved			-
57	11 1001	-	Reserved			-
58*	11 1010	VZX _{LEVEL}	Zero-Cross Threshold for V-Channel	Y	Y	0x 10 0000
59	11 1011	-	Reserved			-
60	11 1100	-	Reserved			-
61	11 1101	-	Reserved			-
62**	11 1110	CycleCount	Line Cycle Count	N	Y	0x 00 0064
63*	11 1111	Scale	I-Channel Gain Calibration Scale Value	Y	Y	0x 4C CCCC

Notes: (1) Warning: *Do not* write to unpublished or reserved register locations.

(2) * Registers with checksum protection.

** When setting the AVG_MODE bit (AVG_MODE = '1') in the *Config2* register, the device will use the Line-cycle Synchronized Averaging mode and the *CycleCount* register will be included in the checksum. Otherwise the *SampleCount* register will be included.

(3) Registers that can be set to write protect from DSP and/or HOST.

6.6 Register Descriptions

1. "Default" = bit states after power-on or reset
2. DO NOT write a "1" to any unpublished register bit or to a bit published as "0".
3. DO NOT write a "0" to any bit published as "1".
4. DO NOT write to any unpublished register address.

6.6.1 Configuration 0 (Config0) – Page 0, Address 0

23	22	21	20	19	18	17	16
TSEL	1	iCPUCLK	CUCLK_ON	-	-	-	-
15	14	13	12	11	10	9	8
-	V2CAP[1]	V2CAP[0]	0	0	-	-	INT_POL
7	6	5	4	3	2	1	0
I2PGA[1]	I2PGA[0]	I1PGA[1]	I1PGA[0]	-	NO_OSC	IZX_CH	VZX_CH

Default = 0x40 0000

TSEL Selects between Voltage Channel2 and Temperature.
 0 = Selects Voltage Channel 2 (Default)
 1 = Selects Temperature Sensor

[22] Reserved.

iCPUCLK CPU clock inversion control.
 0 = CPU clock is same as MCLK (Default)
 1 = Invert CPU clock to pin (CPU clock is inversion of MCLK)

CUCLK_ON Enable CPUCLK to pad.
 0 = Disable CPUCLK to pin (Default)
 1 = Enable CPUCLK to pin

[19:15] Reserved.

V2CAP[1:0] Select the internal sampling capacitor size for V2 channel. Must be set to 00 for voltage measurement.
 00 = V2 used for voltage measurement (Default)
 01 = V2 used for temperature measurement
 10 = Reserved
 11 = Reserved

[12:9] Reserved.

INT_POL Interrupt Polarity.
 0 = Active low (Default)
 1 = Active high

I2PGA[1:0] Select PGA gain for I2 channel.
 00 = 10x gain (Default)
 10 = 50x gain

I1PGA[1:0] Select PGA gain for I1 channel.
 00 = 10x gain (Default)
 10 = 50x gain

[3] Reserved.

NO_OSC	Disable crystal oscillator (making XIN a logic-level input). 0 = Crystal oscillator enabled (Default) 1 = Crystal oscillator disabled
IZX_CH	Select current channel for zero-cross detect. 0 = Selects current channel 1 for zero-cross detect (Default) 1 = Selects current channel 2 for zero-cross detect
VZX_CH	Selects voltage channel for zero-cross detect. 0 = Selects voltage channel 1 for zero-cross detect (Default) 1 = Selects voltage channel 2 for zero-cross detect

6.6.2 Configuration 1 (Config1) – Page 0, Address 1

23	22	21	20	19	18	17	16
EPG4_ON	EPG3_ON	EPG2_ON	EPG1_ON	DO4_OD	DO3_OD	DO2_OD	DO1_OD
15	14	13	12	11	10	9	8
DO4MODE[3]	DO4MODE[2]	DO4MODE[1]	DO4MODE[0]	DO3MODE[3]	DO3MODE[2]	DO3MODE[1]	DO3MODE[0]
7	6	5	4	3	2	1	0
DO2MODE[3]	DO2MODE[2]	DO2MODE[1]	DO2MODE[0]	DO1MODE[3]	DO1MODE[2]	DO1MODE[1]	DO1MODE[0]

Default = 0x00 EEEE

EPG4_ON	Enable EPG4 block. 0 = Disable energy pulse generation block 4 (Default) 1 = Enable energy pulse generation 4
EPG3_ON	Enable EPG3 block. 0 = Disable energy pulse generation block 3 (Default) 1 = Enable energy pulse generation block 3
EPG2_ON	Enable EPG2 block. 0 = Disable energy pulse generation block 2 (Default) 1 = Enable energy pulse generation block 2
EPG1_ON	Enable EPG1 block. 0 = Disable energy pulse generation block 1 (Default) 1 = Enable energy pulse generation block 1
DO4_OD	Allow the DO4 pin to be an open-drain output. 0 = Normal output (Default) 1 = Open-drain output
DO3_OD	Allow the DO3 pin to be an open-drain output. 0 = Normal output (Default) 1 = Open-drain output
DO2_OD	Allow the DO2 pin to be an open-drain output. 0 = Normal output (Default) 1 = Open-drain output
DO1_OD	Allow the DO1 pin to be an open-drain output. 0 = Normal output (Default) 1 = Open-drain output

DO4MODE[3:0]	<p>Output control for DO4 pin.</p> <p>0000 = Energy pulse generation block 1 (EPG1) output 0001 = Energy pulse generation block 2 (EPG2) output 0010 = Energy pulse generation block 3 (EPG3) output 0011 = Energy pulse generation block 4 (EPG4) output 0100 = P1 sign 0101 = P2 sign 0110 = P_{SUM} sign 0111 = Q1 sign 1000 = Q2 sign 1001 = Q_{SUM} sign 1010 = Reserved 1011 = V1/V2 zero-crossing 1100 = I1/I2 zero-crossing 1101 = Reserved 1110 = Hi-Z, pin not driven (Default) 1111 = Interrupt</p>
DO3MODE[3:0]	<p>Output control for DO3 pin.</p> <p>0000 = Energy pulse generation block 1 (EPG1) output 0001 = Energy pulse generation block 2 (EPG2) output 0010 = Energy pulse generation block 3 (EPG3) output 0011 = Energy pulse generation block 4 (EPG4) output 0100 = P1 sign 0101 = P2 sign 0110 = P_{SUM} sign 0111 = Q1 sign 1000 = Q2 sign 1001 = Q_{SUM} sign 1010 = Reserved 1011 = V1/V2 zero-crossing 1100 = I1/I2 zero-crossing 1101 = Reserved 1110 = Hi-Z, pin not driven (Default) 1111 = Interrupt</p>
DO2MODE[3:0]	<p>Output control for DO2 pin.</p> <p>0000 = Energy pulse generation block 1 (EPG1) output 0001 = Energy pulse generation block 2 (EPG2) output 0010 = Energy pulse generation block 3 (EPG3) output 0011 = Energy pulse generation block 4 (EPG4) output 0100 = P1 sign 0101 = P2 sign 0110 = P_{SUM} sign 0111 = Q1 sign 1000 = Q2 sign 1001 = Q_{SUM} sign 1010 = Reserved 1011 = V1/V2 zero-crossing 1100 = I1/I2 zero-crossing 1101 = Reserved 1110 = Hi-Z, pin not driven (Default) 1111 = Interrupt</p>

DO1MODE[3:0] Output control for DO1 pin.
 0000 = Energy pulse generation block 1 (EPG1) output
 0001 = Energy pulse generation block 2 (EPG2) output
 0010 = Energy pulse generation block 3 (EPG3) output
 0011 = Energy pulse generation block 4 (EPG4) output
 0100 = P1 sign
 0101 = P2 sign
 0110 = P_{SUM} sign
 0111 = Q1 sign
 1000 = Q2 sign
 1001 = Q_{SUM} sign
 1010 = Reserved
 1011 = V1/V2 zero-crossing
 1100 = I1/I2 zero-crossing
 1101 = Reserved
 1110 = Hi-Z, pin not driven (Default)
 1111 = Interrupt

6.6.3 Configuration 2 (Config2) – Page 16, Address 0

23	22	21	20	19	18	17	16
-	POS	-	-	-	1	1	-
15	14	13	12	11	10	9	8
-	APCM	-	ZX_LPF	AVG_MODE	REG_CSUM_OFF	AFC	I2FLT[1]
7	6	5	4	3	2	1	0
I2FLT[0]	V2FLT[1]	V2FLT[0]	I1FLT[1]	I1FLT[0]	V1FLT[1]	V1FLT[0]	IIR_OFF

Default = 0x06 0200

[23] Reserved.

POS Positive energy only. Suppress negative values in P1_{AVG} and P2_{AVG}. If a negative value is calculated, a zero result will be stored.
 0 = Positive and negative energy (Default)
 1 = Positive energy only

[21:15] Reserved.

APCM Selects the apparent power calculation method.
 0 = $V_{RMS} \times I_{RMS}$ (Default)
 1 = $SQRT(P_{X_{AVG}}^2 + Q_{X_{AVG}}^2)$

[13] Reserved.

ZX_LPF Enable LPF in zero-cross detect.
 0 = LPF disabled (Default)
 1 = LPF enabled

AVG_MODE Select averaging mode for low-rate calculations.
 0 = Use *SampleCount* (Default)
 1 = Use *CycleCount*

REG_CSUM_OFF Disable checksum on critical registers.
 0 = Enable checksum on critical registers (Default)
 1 = Disable checksum on critical registers

AFC	Enables automatic line frequency measurement which sets <i>Epsilon</i> every time a new line frequency measurement completes. <i>Epsilon</i> is used to control the gain of 90 degree phase shift integrator used in quadrature power calculations. 0 = Disable automatic line frequency measurement 1 = Enable automatic line frequency measurement (Default)
I2FLT[1:0]	Filter enable for current channel 2. 00 = No filter (Default) 01 = High-pass filter (HPF) on current channel 2 10 = Phase-matching filter (PMF) on current channel 2 11 = Rogowski coil integrator on current channel 2
V2FLT[1:0]	Filter enable for voltage channel 2/temperature. 00 = No filter (Default) 01 = High-pass filter (HPF) on voltage channel 2 10 = Phase-matching filter (PMF) on voltage channel 2 11 = Reserved
I1FLT[1:0]	Filter enable for current channel 1. 00 = No filter (Default) 01 = High-pass filter (HPF) on current channel 1 10 = Phase-matching filter (PMF) on current channel 1 11 = Rogowski coil integrator on current channel 1
V1FLT[1:0]	Filter enable for voltage channel 1. 00 = No filter (Default) 01 = High-pass filter (HPF) on voltage channel 1 10 = Phase-matching filter (PMF) on voltage channel 1 11 = Reserved
IIR_OFF	Bypass IIR filter. 0 = Do not bypass IIR filter (Default) 1 = Bypass IIR filter

6.6.4 Phase Compensation (PC) – Page 0, Address 5

23	22	21	20	19	18	17	16
CPCC2[1]	CPCC2[0]	CPCC1[1]	CPCC1[0]	-	-	FPCC2[8]	FPCC2[7]
15	14	13	12	11	10	9	8
FPCC2[6]	FPCC2[5]	FPCC2[4]	FPCC2[3]	FPCC2[2]	FPCC2[1]	FPCC2[0]	FPCC1[8]
7	6	5	4	3	2	1	0
FPCC1[7]	FPCC1[6]	FPCC1[5]	FPCC1[4]	FPCC1[3]	FPCC1[2]	FPCC1[1]	FPCC1[0]

Default = 0x00 0000

CPCC2[1:0] Coarse phase compensation control for I2 and V2.
 00 = No extra delay
 01 = 1 OWR delay in current channel 2
 10 = 1 OWR delay in voltage channel 2
 11 = 2 OWR delay in voltage channel 2

CPCC1[1:0] Coarse phase compensation control for I1 and V1.
 00 = No extra delay
 01 = 1 OWR delay in current channel 1
 10 = 1 OWR delay in voltage channel 1
 11 = 2 OWR delay in voltage channel 1

[19:18] Reserved.

FPCC2[8:0] Fine phase compensation control for I2 and V2.
 Sets a delay in current, relative to voltage.
 Resolution: 0.008789° at 50Hz and 0.010547° at 60Hz (OWR = 4000)

FPCC1[8:0] Fine phase compensation control for I1 and V1.
 Sets a delay in current, relative to voltage.
 Resolution: 0.008789° at 50Hz and 0.010547° at 60Hz (OWR = 4000)

6.6.5 UART Control (SerialCtrl) – Page 0, Address 7

23	22	21	20	19	18	17	16
-	-	-	-	-	RX_PU_OFF	RX_CSUM_OFF	-
15	14	13	12	11	10	9	8
BR[15]	BR[14]	BR[13]	BR[12]	BR[11]	BR[10]	BR[9]	BR[8]
7	6	5	4	3	2	1	0
BR[7]	BR[6]	BR[5]	BR[4]	BR[3]	BR[2]	BR[1]	BR[0]

Default = 0x02 004D

[23:19] Reserved.

RX_PU_OFF Disable the pull-up resistor on the RX input pin.
 0 = Pull-up resistor enabled (Default)
 1 = Pull-up resistor disabled

RX_CSUM_OFF Disable the checksum on serial port data.
 0 = Enable checksum
 1 = Disable checksum (Default)

[16] Reserved.

BR[15:0] Baud rate (serial bit rate).
 BR[15:0] = Baud Rate x (524,288/MCLK)

6.6.6 Pulse Output Width (*PulseWidth*) – Page 0, Address 8

23	22	21	20	19	18	17	16
-	-	-	-	FREQ_RNG[3]	FREQ_RNG[2]	FREQ_RNG[1]	FREQ_RNG[0]
15	14	13	12	11	10	9	8
PW[15]	PW[14]	PW[13]	PW[12]	PW[11]	PW[10]	PW[9]	PW[8]
7	6	5	4	3	2	1	0
PW[7]	PW[6]	PW[5]	PW[4]	PW[3]	PW[2]	PW[1]	PW[0]

Default = 0x00 0001 (265.6µs at OWR = 4kHz)

PulseWidth sets the energy pulse frequency range and the duration of energy pulses.

The actual pulse duration is 250µs plus the contents of *PulseWidth* divided by 64,000. *PulseWidth* is an integer in the range of 1 to 65,535.

[23:20] Reserved.

FREQ_RNG[3:0] Energy pulse (*PulseRate*) frequency range for 0.1% resolution.

0000 = Freq. range:	2kHz–0.238Hz (Default)
0001 = Freq. range:	1kHz–0.1192Hz
0010 = Freq. range:	500 Hz–0.0596Hz
0011 = Freq. range:	250 Hz–0.0298Hz
0100 = Freq. range:	125 Hz–0.0149Hz
0101 = Freq. range:	62.5 Hz–0.00745Hz
0110 = Freq. range:	31.25Hz–0.003725Hz
0111 = Freq. range:	15.625Hz–0.0018626Hz
1000 = Freq. range:	7.8125Hz–0.000931323Hz
1001 = Freq. range:	3.90625Hz–0.000465661Hz
1010 = Reserved	
...	
1111 = Reserved	

PW[15:0] Energy Pulse Width.

6.6.7 Pulse Output Rate (*PulseRate*) – Page 18, Address 28

MSB										LSB					
-(2 ⁰)	2 ⁻¹	2 ⁻²	2 ⁻³	2 ⁻⁴	2 ⁻⁵	2 ⁻⁶	2 ⁻⁷	2 ⁻¹⁷	2 ⁻¹⁸	2 ⁻¹⁹	2 ⁻²⁰	2 ⁻²¹	2 ⁻²²	2 ⁻²³

Default= 0x80 0000

PulseRate sets the full-scale frequency for the energy pulse outputs.

For a 4 kHz OWR rate, the maximum pulse rate is 2kHz. This is a two's complement value in the range of -1≤value<1, with the binary point to the left of the MSB.

Refer to section [5.5 Energy Pulse Generation](#) on page 22 for more information.

6.6.8 Pulse Output Control (PulseCtrl) – Page 0, Address 9

23	22	21	20	19	18	17	16
-	-	-	-	-	-	-	-
15	14	13	12	11	10	9	8
EPG4IN[3]	EPG4IN[2]	EPG4IN[1]	EPG4IN[0]	EPG3IN[3]	EPG3IN[2]	EPG3IN[1]	EPG3IN[0]
7	6	5	4	3	2	1	0
EPG2IN[3]	EPG2IN[2]	EPG2IN[1]	EPG2IN[0]	EPG1IN[3]	EPG1IN[2]	EPG1IN[1]	EPG1IN[0]

Default = 0x00 0000

This register controls the input to the energy pulse generation block (EPGx).

[23:16] Reserved.

EPGxIN[3:0] Selects the input to the energy pulse generation block (EPGx).

0000 = P1_{AVG} (Default)

0001 = P2_{AVG}

0010 = P_{SUM}

0011 = Q1_{AVG}

0100 = Q2_{AVG}

0101 = Q_{SUM}

0110 = S1

0111 = S2

1000 = S_{SUM}

1001 = Unused

...

1111 = Unused

6.6.9 Register Lock Control (RegLock) – Page 0, Address 34

23	22	21	20	19	18	17	16
-	-	-	-	-	-	-	-
15	14	13	12	11	10	9	8
-	-	-	DSP_LCK[4]	DSP_LCK[3]	DSP_LCK[2]	DSP_LCK[1]	DSP_LCK[0]
7	6	5	4	3	2	1	0
-	-	-	HOST_LCK[4]	HOST_LCK[3]	HOST_LCK[2]	HOST_LCK[1]	HOST_LCK[0]

Default = 0x00 0000

[23:13] Reserved.

DSP_LCK[4:0] DSP_LCK[4:0] = 0x16 sets the DSP lockable registers to be write protected from the CS5484 internal calculation engine. Writing 0x09 unlocks the registers.

[7:5] Reserved.

HOST_LCK[4:0] HOST_LCK[4:0] = 0x16 sets all the registers except *RegLock*, *Status0*, *Status1*, and *Status2* to be write protected from the serial interface. Writing 0x09 unlocks the registers.

6.6.10 Phase Sequence Detection and Control (PSCD) – Page 0, Address 48

23	22	21	20	19	18	17	16
DONE	PSCNT[6]	PSCNT[5]	PSCNT[4]	PSCNT[3]	PSCNT[2]	PSCNT[1]	PSCNT[0]
15	14	13	12	11	10	9	8
-	-	-	-	-	-	-	-
7	6	5	4	3	2	1	0
-	-	DIR	CODE[4]	CODE[3]	CODE[2]	CODE[1]	CODE[0]

Default = 0x00 0000

- DONE** Indicates valid count values reside in PSCNT[6:0].
 0 = Invalid values in PSCNT[6:0]. (Default)
 1 = Valid values in PSCNT[6:0].
- PSCNT[6:0]** Registers the number of OWR samples from the start time to the time when the next zero crossing is detected.
- [15:6]** Reserved.
- DIR** Set the zero-crossing edge direction which will stop PSCNT count.
 0 = Stop count at negative to positive zero-crossing - Rising Edge. (Default)
 1 = Stop count at positive to negative zero-crossing - Falling Edge.
- CODE[4:0]** Write 10110 to this location to enable the phase sequence detection.

6.6.11 Checksum of Critical Registers (RegChk) – Page 16, Address 1

MSB														LSB	
2^{23}	2^{22}	2^{21}	2^{20}	2^{19}	2^{18}	2^{17}	2^{16}	2^6	2^5	2^4	2^3	2^2	2^1	2^0

Default = 0x00 0000

This register contains the checksum of critical registers.

6.6.12 Interrupt Status (Status0) – Page 0, Address 23

23	22	21	20	19	18	17	16
DRDY	CRDY	WOF	-	-	MIPS	V2SWELL	V1SWELL
15	14	13	12	11	10	9	8
P2OR	P1OR	I2OR	I1OR	V2OR	V1OR	I2OC	I1OC
7	6	5	4	3	2	1	0
V2SAG	V1SAG	TUP	FUP	IC	RX_CSUM_ERR	-	RX_TO

Default = 0x80 0000

The *Status0* register indicates a variety of conditions within the chip.

Writing a one to a *Status0* register bit will clear that bit. Writing a zero to any bit has no effect.

DRDY	Data Ready. During conversion, this bit indicates that low-rate results have been updated. It indicates completion of other host instruction and the reset sequence.
CRDY	Conversion Ready. Indicates that sample rate (output word rate) results have been updated.
WOF	Watchdog timer overflow.
[20:19]	Reserved.
MIPS	MIPS overflow. Sets when the calculation engine has not completed processing a sample before the next one arrives.
V2SWELL(V1SWELL)	Voltage channel 2 (voltage channel 1) swell event detected.
P2OR (P1OR)	Power out of range. Sets when the measured power would cause the <i>P2</i> (<i>P1</i>) register to overflow.
I2OR (I1OR)	Current out of range. Set when the measured current would cause the <i>I2</i> (<i>I1</i>) register to overflow.
V2OR (V1OR)	Voltage out of range. Set when the measured voltage would cause the <i>V2</i> (<i>V1</i>) register to overflow.
I2OC (I1OC)	<i>I2</i> (<i>I1</i>) overcurrent.
V2SAG (V1SAG)	Voltage channel 2 (voltage channel 1) sag event detected.
TUP	Temperature updated. Indicates when the Temperature register (<i>T</i>) has been updated.
FUP	Frequency updated. Indicates the <i>Epsilon</i> register has been updated.
IC	Invalid command has been received.
RX_CSUM_ERR	Received data checksum error. Sets to one automatically if checksum error is detected on serial port received data.
[1]	Reserved.
RX_TO	SDI/RX time out. Sets to one automatically when SDI/RX time out occurs.

6.6.13 Interrupt Mask (Mask) – Page 0, Address 3

23	22	21	20	19	18	17	16
DRDY	CRDY	WOF	-	-	MIPS	V2SWELL	V1SWELL
15	14	13	12	11	10	9	8
P2OR	P1OR	I2OR	I1OR	V2OR	V1OR	I2OC	I1OC
7	6	5	4	3	2	1	0
V2SAG	V1SAG	TUP	FUP	IC	RX_CSUM_ERR	-	RX_TO

Default = 0x00 0000

The *Mask* register is used to control the activation of the $\overline{\text{INT}}$ pin. Writing a '1' to a *Mask* register bit will allow the corresponding *Status0* register bit to activate the $\overline{\text{INT}}$ pin when set.

[23:0] Enable/disable (mask) interrupts.
 0 = Interrupt disabled (Default)
 1 = Interrupt enabled

6.6.14 Chip Status 1 (Status1) – Page 0, Address 24

23	22	21	20	19	18	17	16
-	-	-	-	-	-	-	-
15	14	13	12	11	10	9	8
LCOM[7]	LCOM[6]	LCOM[5]	LCOM[4]	LCOM[3]	LCOM[2]	LCOM[1]	LCOM[0]
7	6	5	4	3	2	1	0
-	-	-	-	V2OD	V1OD	I2OD	I1OD

Default = 0x80 1800

This register indicates a variety of conditions within the chip.

[23:16] Reserved.

LCOM[7:0] Indicates the value of the last serial command executed.

V2OD (V1OD) Modulator oscillation has been detected in the voltage2 (voltage1) ADC.

I2OD (I1OD) Modulator oscillation has been detected in the current2 (current1) ADC.

6.6.15 Chip Status 2 (Status2) – Page 0, Address 25

23	22	21	20	19	18	17	16
-	-	-	-	-	-	-	-
15	14	13	12	11	10	9	8
-	-	-	-	-	-	-	-
7	6	5	4	3	2	1	0
-	-	QSUM_SIGN	Q2_SIGN	Q1_SIGN	PSUM_SIGN	P2_SIGN	P1_SIGN

Default = 0x00 0000

This register indicates a variety of conditions within the chip.

[23:6] Reserved.

QSUM_SIGN Indicates the sign of the value contained in Q_{SUM} .
 0 = positive value
 1 = negative value

Q2_SIGN Indicates the sign of the value contained in $Q2_{AVG}$.
 0 = positive value
 1 = negative value

Q1_SIGN Indicates the sign of the value contained in $Q1_{AVG}$.
 0 = positive value
 1 = negative value

PSUM_SIGN Indicates the sign of the value contained in P_{SUM} .
 0 = positive value
 1 = negative value

P2_SIGN Indicates the sign of the value contained in $P2_{AVG}$.
 0 = positive value
 1 = negative value

P1_SIGN Indicates the sign of the value contained in $P1_{AVG}$.
 0 = positive value
 1 = negative value

6.6.16 Line to Sample Frequency Ratio (Epsilon) – Page 16, Address 49

MSB									LSB						
$-(2^0)$	2^{-1}	2^{-2}	2^{-3}	2^{-4}	2^{-5}	2^{-6}	2^{-7}	2^{-17}	2^{-18}	2^{-19}	2^{-20}	2^{-21}	2^{-22}	2^{-23}

Default = 0x01 999A (0.0125 or 50Hz/4.0kHz)

Epsilon is the ratio of the input line frequency to the OWR.

It can either be written by the application program or calculated automatically from the line frequency (from the voltage channel 1 input) using the AFC bit in the *Config2* register. It is a two's complement value in the range of $-1.0 \leq \text{value} < 1.0$, with the binary point to the right of the MSB. Negative values are not used.

6.6.17 No-Load Threshold ($Load_{MIN}$) – Page 16, Address 58

MSB									LSB						
$-(2^0)$	2^{-1}	2^{-2}	2^{-3}	2^{-4}	2^{-5}	2^{-6}	2^{-7}	2^{-17}	2^{-18}	2^{-19}	2^{-20}	2^{-21}	2^{-22}	2^{-23}

Default = 0x00 0000

$Load_{MIN}$ is used to set the no-load threshold for the anti-creep function.

When the magnitudes of P_{SUM} and Q_{SUM} are less than $Load_{MIN}$, P_{SUM} and Q_{SUM} are forced to zero. When the magnitude of S_{SUM} is less than $Load_{MIN}$, S_{SUM} is forced to zero.

$Load_{MIN}$ is a two's complement value in the range of $-1.0 \leq \text{value} < 1.0$, with the binary point to the right of the MSB. Negative values are not used.

6.6.18 Sample Count (*SampleCount*) – Page 16, Address 51

MSB									LSB						
0	2^{22}	2^{21}	2^{20}	2^{19}	2^{18}	2^{17}	2^{16}	2^6	2^5	2^4	2^3	2^2	2^1	2^0

Default = 0x00 0FA0 (4000)

Determines the number of OWR samples to use in calculating low-rate results.

SampleCount (*N*) is an integer in the range of 100 to 8,388,607. Values less than 100 should not be used.

6.6.19 Cycle Count (*CycleCount*) – Page 18, Address 62

MSB									LSB						
0	2^{22}	2^{21}	2^{20}	2^{19}	2^{18}	2^{17}	2^{16}	2^6	2^5	2^4	2^3	2^2	2^1	2^0

Default = 0x00 0064 (100)

Determines the number of half-line cycles to use in calculating low-rate results when the CS5484 is in Line-cycle Synchronized Averaging mode.

CycleCount is an integer in the range of 1 to 8,388,607. Zero should not be used.

6.6.20 Filter Settling Time for Conversion Startup (T_{SETTLE}) – Page 16, Address 57

MSB								LSB							
2^{23}	2^{22}	2^{21}	2^{20}	2^{19}	2^{18}	2^{17}	2^{16}	2^6	2^5	2^4	2^3	2^2	2^1	2^0

Default = 0x00 001E (30)

Sets the number of OWR samples that will be used to allow filters to settle at the beginning of Conversion and Calibration commands.

This is an integer in the range of 0 to 16,777,215 samples.

6.6.21 System Gain (Sys_{GAIN}) – Page 16, Address 60

MSB								LSB							
$-(2^1)$	2^0	2^{-1}	2^{-2}	2^{-3}	2^{-4}	2^{-5}	2^{-6}	2^{-16}	2^{-17}	2^{-18}	2^{-19}	2^{-20}	2^{-21}	2^{-22}

Default = 0x50 0000 (1.25)

System Gain (Sys_{GAIN}) is applied to all channels.

By default, $Sys_{GAIN} = 1.25$ but can be finely adjusted to compensate for voltage reference error. It is a two's complement value in the range of $-2.0 \leq \text{value} < 2.0$, with the binary point to the right of the second MSB. Values should be kept within 5% of 1.25.

6.6.22 Rogowski Coil Integrator Gain (Int_{GAIN}) – Page 18, Address 43

MSB								LSB							
$-(2^0)$	2^{-1}	2^{-2}	2^{-3}	2^{-4}	2^{-5}	2^{-6}	2^{-7}	2^{-17}	2^{-18}	2^{-19}	2^{-20}	2^{-21}	2^{-22}	2^{-23}

Default = 0x14 3958

Gain for the Rogowski coil integrator. This must be programmed accordingly for 50Hz and 60Hz (0.158 for 50Hz, 0.1875 for 60Hz).

This is a two's complement value in the range of $-1.0 \leq \text{value} \leq 1.0$, with the binary point to the right of the MSB. Negative values are not used.

6.6.23 System Time ($Time$) – Page 16, Address 61

MSB								LSB							
2^{23}	2^{22}	2^{21}	2^{20}	2^{19}	2^{18}	2^{17}	2^{16}	2^6	2^5	2^4	2^3	2^2	2^1	2^0

Default = 0x00 0000

System Time ($Time$) is measured in OWR samples.

This is an unsigned integer in the range of 0 to 16,777,215 samples. At OWR = 4.0kHz, OWR will overflow every 1 hour, 9 minutes, 54 seconds. $Time$ can be used by the application to manage real-time events.

6.6.24 Voltage 1 Sag Duration ($V1Sag_{DUR}$) – Page 17, Address 0

MSB										LSB					
0	2^{22}	2^{21}	2^{20}	2^{19}	2^{18}	2^{17}	2^{16}	2^6	2^5	2^4	2^3	2^2	2^1	2^0

Default = 0x00 0000

Voltage sag duration, $V1Sag_{DUR}$, determines the count of OWR samples utilized to determine a sag event. These are integers in the range of 0 to 8,388,607 samples. A value of zero disables the feature.

6.6.25 Voltage 1 Sag Level ($V1Sag_{LEVEL}$) – Page 17, Address 1

MSB										LSB					
$-(2^0)$	2^{-1}	2^{-2}	2^{-3}	2^{-4}	2^{-5}	2^{-6}	2^{-7}	2^{-17}	2^{-18}	2^{-19}	2^{-20}	2^{-21}	2^{-22}	2^{-23}

Default = 0x00 0000

Voltage sag level, $V1Sag_{LEVEL}$, establishes an input level below which a sag event is triggered. This is a two's complement value in the range of $-1.0 \leq \text{value} < 1.0$, with the binary point to the right of the MSB. Negative values are not used.

6.6.26 Current 1 Overcurrent Duration ($I1Over_{DUR}$) – Page 17, Address 4

MSB										LSB					
0	2^{22}	2^{21}	2^{20}	2^{19}	2^{18}	2^{17}	2^{16}	2^6	2^5	2^4	2^3	2^2	2^1	2^0

Default = 0x00 0000

Overcurrent duration, $I1Over_{DUR}$, determines the count of OWR samples utilized to determine an overcurrent event. These are integers in the range of 0 to 8,388,607 samples. A value of zero disables the feature.

6.6.27 Current 1 Overcurrent Level ($I1Over_{LEVEL}$) – Page 17, Address 5

MSB										LSB					
$-(2^0)$	2^{-1}	2^{-2}	2^{-3}	2^{-4}	2^{-5}	2^{-6}	2^{-7}	2^{-17}	2^{-18}	2^{-19}	2^{-20}	2^{-21}	2^{-22}	2^{-23}

Default = 0x7F FFFF

Overcurrent level, $I1Over_{LEVEL}$, establishes an input level above which an overcurrent event is triggered. This is a two's complement value in the range of $-1.0 \leq \text{value} < 1.0$, with the binary point to the right of the MSB. Negative values are not used.

6.6.28 Voltage 2 Sag Duration ($V2Sag_{DUR}$) – Page 17, Address 8

MSB									LSB						
0	2^{22}	2^{21}	2^{20}	2^{19}	2^{18}	2^{17}	2^{16}	2^6	2^5	2^4	2^3	2^2	2^1	2^0

Default = 0x00 0000

Voltage sag duration, $V2Sag_{DUR}$, determines the count of OWR samples utilized to determine a sag event. These are integers in the range of 0 to 8,388,607 samples. A value of zero disables the feature.

6.6.29 Voltage 2 Sag Level ($V2Sag_{LEVEL}$) – Page 17, Address 9

MSB									LSB						
$-(2^0)$	2^{-1}	2^{-2}	2^{-3}	2^{-4}	2^{-5}	2^{-6}	2^{-7}	2^{-17}	2^{-18}	2^{-19}	2^{-20}	2^{-21}	2^{-22}	2^{-23}

Default = 0x00 0000

Voltage sag level, $V2Sag_{LEVEL}$, establishes an input level below which a sag event is triggered.

This is a two's complement value in the range of $-1.0 \leq \text{value} < 1.0$, with the binary point to the right of the MSB. Negative values are not used.

6.6.30 Current 2 Overcurrent Duration ($I2Over_{DUR}$) – Page 17, Address 12

MSB									LSB						
0	2^{22}	2^{21}	2^{20}	2^{19}	2^{18}	2^{17}	2^{16}	2^6	2^5	2^4	2^3	2^2	2^1	2^0

Default = 0x00 0000

Overcurrent duration, $I2Over_{DUR}$, determines the count of OWR samples utilized to determine an overcurrent event.

These are integers in the range of 0 to 8,388,607 samples. A value of zero disables the feature.

6.6.31 Current 2 Overcurrent Level ($I2Over_{LEVEL}$) – Page 17, Address 13

MSB									LSB						
$-(2^0)$	2^{-1}	2^{-2}	2^{-3}	2^{-4}	2^{-5}	2^{-6}	2^{-7}	2^{-17}	2^{-18}	2^{-19}	2^{-20}	2^{-21}	2^{-22}	2^{-23}

Default = 0x7F FFFF

Overcurrent level, $I2Over_{LEVEL}$, establishes an input level above which an overcurrent event is triggered.

This is a two's complement value in the range of $-1.0 \leq \text{value} < 1.0$, with the binary point to the right of the MSB. Negative values are not used.

6.6.32 Voltage 1 Swell Duration ($V1Swell_{DUR}$) – Page 18, Address 46

MSB														LSB	
0	2^{22}	2^{21}	2^{20}	2^{19}	2^{18}	2^{17}	2^{16}	2^6	2^5	2^4	2^3	2^2	2^1	2^0

Default = 0x00 0000

Voltage swell duration, $V1Swell_{DUR}$, determines the count of OWR samples utilized to determine a swell event.

These are integers in the range of 0 to 8,388,607 samples. A value of zero disables the feature.

6.6.33 Voltage 1 Swell Level ($V1Swell_{LEVEL}$) – Page 18, Address 47

MSB														LSB	
$-(2^0)$	2^{-1}	2^{-2}	2^{-3}	2^{-4}	2^{-5}	2^{-6}	2^{-7}	2^{-17}	2^{-18}	2^{-19}	2^{-20}	2^{-21}	2^{-22}	2^{-23}

Default = 0x7F FFFF

Voltage swell level, $V1Swell_{LEVEL}$, establishes an input level above which a swell event is triggered.

This is a two's complement value in the range of $-1.0 \leq \text{value} < 1.0$, with the binary point to the right of the MSB. Negative values are not used.

6.6.34 Voltage 2 Swell Duration ($V2Swell_{DUR}$) – Page 18, Address 50

MSB														LSB	
0	2^{22}	2^{21}	2^{20}	2^{19}	2^{18}	2^{17}	2^{16}	2^6	2^5	2^4	2^3	2^2	2^1	2^0

Default = 0x00 0000

Voltage swell duration, $V2Swell_{DUR}$, determines the count of OWR samples utilized to determine a swell event.

These are integers in the range of 0 to 8,388,607 samples. A value of zero disables the feature.

6.6.35 Voltage 2 Swell Level ($V2Swell_{LEVEL}$) – Page 18, Address 51

MSB														LSB	
$-(2^0)$	2^{-1}	2^{-2}	2^{-3}	2^{-4}	2^{-5}	2^{-6}	2^{-7}	2^{-17}	2^{-18}	2^{-19}	2^{-20}	2^{-21}	2^{-22}	2^{-23}

Default = 0x7F FFFF

Voltage swell level, $V2Swell_{LEVEL}$, establishes an input level above which a swell event is triggered.

This is a two's complement value in the range of $-1.0 \leq \text{value} < 1.0$, with the binary point to the right of the MSB. Negative values are not used.

6.6.36 Instantaneous Current 1 (I1) – Page 16, Address 2

MSB										LSB					
$-(2^0)$	2^{-1}	2^{-2}	2^{-3}	2^{-4}	2^{-5}	2^{-6}	2^{-7}	2^{-17}	2^{-18}	2^{-19}	2^{-20}	2^{-21}	2^{-22}	2^{-23}

Default = 0x00 0000

I1 contains instantaneous current measurements for current channel 1.

This is a two's complement value in the range of $-1.0 \leq \text{value} < 1.0$, with the binary point to the right of the MSB.

6.6.37 Instantaneous Voltage 1 (V1) – Page 16, Address 3

MSB										LSB					
$-(2^0)$	2^{-1}	2^{-2}	2^{-3}	2^{-4}	2^{-5}	2^{-6}	2^{-7}	2^{-17}	2^{-18}	2^{-19}	2^{-20}	2^{-21}	2^{-22}	2^{-23}

Default = 0x00 0000

V1 contains instantaneous voltage measurements for voltage channel 1.

This is a two's complement value in the range of $-1.0 \leq \text{value} < 1.0$, with the binary point to the right of the MSB.

6.6.38 Instantaneous Active Power 1 (P1) – Page 16, Address 4

MSB										LSB					
$-(2^0)$	2^{-1}	2^{-2}	2^{-3}	2^{-4}	2^{-5}	2^{-6}	2^{-7}	2^{-17}	2^{-18}	2^{-19}	2^{-20}	2^{-21}	2^{-22}	2^{-23}

Default = 0x00 0000

P1 contains instantaneous power measurements for current and voltage channels 1.

Values in registers *I1* and *V1* are multiplied to generate this value. This is a two's complement value in the range of $-1.0 \leq \text{value} < 1.0$, with the binary point to the right of the MSB.

6.6.39 Active Power 1 ($P1_{AVG}$) – Page 16, Address 5

MSB										LSB					
$-(2^0)$	2^{-1}	2^{-2}	2^{-3}	2^{-4}	2^{-5}	2^{-6}	2^{-7}	2^{-17}	2^{-18}	2^{-19}	2^{-20}	2^{-21}	2^{-22}	2^{-23}

Default = 0x00 0000

Instantaneous power is averaged over each low-rate interval (*SampleCount* samples) and then added with power offset (P_{OFF}) to compute active power (P_{AVG}).

This is a two's complement value in the range of $-1.0 \leq \text{value} < 1.0$, with the binary point to the right of the MSB.

6.6.40 RMS Current 1 ($I1_{RMS}$) – Page 16, Address 6

MSB														LSB	
2^{-1}	2^{-2}	2^{-3}	2^{-4}	2^{-5}	2^{-6}	2^{-7}	2^{-8}	2^{-18}	2^{-19}	2^{-20}	2^{-21}	2^{-22}	2^{-23}	2^{-24}

Default = 0x00 0000

$I1_{RMS}$ contains the root mean square (RMS) values of $I1$, calculated during each low-rate interval.

This is an unsigned value in the range of $0 \leq \text{value} < 1.0$, with the binary point to the left of the MSB.

6.6.41 RMS Voltage 1 ($V1_{RMS}$) – Page 16, Address 7

MSB														LSB	
2^{-1}	2^{-2}	2^{-3}	2^{-4}	2^{-5}	2^{-6}	2^{-7}	2^{-8}	2^{-18}	2^{-19}	2^{-20}	2^{-21}	2^{-22}	2^{-23}	2^{-24}

Default = 0x00 0000

$V1_{RMS}$ contains the root mean square (RMS) value of $V1$, calculated during each low-rate interval.

This is an unsigned value in the range of $0 \leq \text{value} < 1.0$, with the binary point to the left of the MSB.

6.6.42 Instantaneous Current 2 ($I2$) – Page 16, Address 8

MSB														LSB	
$-(2^0)$	2^{-1}	2^{-2}	2^{-3}	2^{-4}	2^{-5}	2^{-6}	2^{-7}	2^{-17}	2^{-18}	2^{-19}	2^{-20}	2^{-21}	2^{-22}	2^{-23}

Default = 0x00 0000

$I2$ contains instantaneous current measurements for current channel 2.

This is a two's complement value in the range of $-1.0 \leq \text{value} < 1.0$, with the binary point to the right of the MSB.

6.6.43 Instantaneous Voltage 2 ($V2$) – Page 16, Address 9

MSB														LSB	
$-(2^0)$	2^{-1}	2^{-2}	2^{-3}	2^{-4}	2^{-5}	2^{-6}	2^{-7}	2^{-17}	2^{-18}	2^{-19}	2^{-20}	2^{-21}	2^{-22}	2^{-23}

Default = 0x00 0000

$V2$ contains instantaneous voltage measurements for voltage channel 2.

This is a two's complement value in the range of $-1.0 \leq \text{value} < 1.0$, with the binary point to the right of the MSB.

6.6.44 Instantaneous Active Power 2 ($P2$) – Page 16, Address 10

MSB														LSB	
$-(2^0)$	2^{-1}	2^{-2}	2^{-3}	2^{-4}	2^{-5}	2^{-6}	2^{-7}	2^{-17}	2^{-18}	2^{-19}	2^{-20}	2^{-21}	2^{-22}	2^{-23}

Default = 0x00 0000

$P2$ contains instantaneous power measurements for current and voltage channels 2.

Values in registers $I2$ and $V2$ are multiplied to generate this value. This is a two's complement value in the range of $-1.0 \leq \text{value} < 1.0$, with the binary point to the right of the MSB.

6.6.45 Active Power 2 ($P2_{AVG}$) – Page 16, Address 11

MSB														LSB	
$-(2^0)$	2^{-1}	2^{-2}	2^{-3}	2^{-4}	2^{-5}	2^{-6}	2^{-7}	2^{-17}	2^{-18}	2^{-19}	2^{-20}	2^{-21}	2^{-22}	2^{-23}

Default = 0x00 0000

Instantaneous power is averaged over each low-rate interval ($SampleCount$ samples) to compute active power ($P2_{AVG}$).

This is a two's complement value in the range of $-1.0 \leq \text{value} < 1.0$, with the binary point to the right of the MSB.

6.6.46 RMS Current 2 ($I2_{RMS}$) – Page 16, Address 12

MSB														LSB	
2^{-1}	2^{-2}	2^{-3}	2^{-4}	2^{-5}	2^{-6}	2^{-7}	2^{-8}	2^{-18}	2^{-19}	2^{-20}	2^{-21}	2^{-22}	2^{-23}	2^{-24}

Default = 0x00 0000

$I2_{RMS}$ contains the root mean square (RMS) value of $I2$, calculated during each low-rate interval.

This is an unsigned value in the range of $0 \leq \text{value} < 1.0$, with the binary point to the left of the MSB.

6.6.47 RMS Voltage 2 ($V2_{RMS}$) – Page 16, Address 13

MSB														LSB	
2^{-1}	2^{-2}	2^{-3}	2^{-4}	2^{-5}	2^{-6}	2^{-7}	2^{-8}	2^{-18}	2^{-19}	2^{-20}	2^{-21}	2^{-22}	2^{-23}	2^{-24}

Default = 0x00 0000

$V2_{RMS}$ contains the root mean square (RMS) value of $V2$, calculated during each low-rate interval.

This is an unsigned value in the range of $0 \leq \text{value} < 1.0$, with the binary point to the left of the MSB.

6.6.48 Reactive Power 1 ($Q1_{AVG}$) – Page 16, Address 14

MSB														LSB	
$-(2^0)$	2^{-1}	2^{-2}	2^{-3}	2^{-4}	2^{-5}	2^{-6}	2^{-7}	2^{-17}	2^{-18}	2^{-19}	2^{-20}	2^{-21}	2^{-22}	2^{-23}

Default = 0x00 0000

Reactive power 1 ($Q1_{AVG}$) is $Q1$ averaged over each low-rate interval ($SampleCount$ samples) and corrected by Q_{OFF} .

This is a two's complement value in the range of $-1.0 \leq value < 1.0$, with the binary point to the right of the MSB.

6.6.49 Instantaneous Quadrature Power 1 ($Q1$) – Page 16, Address 15

MSB														LSB	
$-(2^0)$	2^{-1}	2^{-2}	2^{-3}	2^{-4}	2^{-5}	2^{-6}	2^{-7}	2^{-17}	2^{-18}	2^{-19}	2^{-20}	2^{-21}	2^{-22}	2^{-23}

Default = 0x00 0000

Instantaneous quadrature power, $Q1$, the product of $V1$ shifted 90 degrees and $I1$.

This is a two's complement value in the range of $-1.0 \leq value < 1.0$, with the binary point to the right of the MSB.

6.6.50 Reactive Power 2 ($Q2_{AVG}$) – Page 16, Address 16

MSB														LSB	
$-(2^0)$	2^{-1}	2^{-2}	2^{-3}	2^{-4}	2^{-5}	2^{-6}	2^{-7}	2^{-17}	2^{-18}	2^{-19}	2^{-20}	2^{-21}	2^{-22}	2^{-23}

Default = 0x00 0000

Reactive power 2 ($Q2_{AVG}$) is $Q2$ averaged over each low-rate interval ($SampleCount$ samples).

This is a two's complement value in the range of $-1.0 \leq value < 1.0$, with the binary point to the right of the MSB.

6.6.51 Instantaneous Quadrature Power 2 ($Q2$) – Page 16, Address 17

MSB														LSB	
$-(2^0)$	2^{-1}	2^{-2}	2^{-3}	2^{-4}	2^{-5}	2^{-6}	2^{-7}	2^{-17}	2^{-18}	2^{-19}	2^{-20}	2^{-21}	2^{-22}	2^{-23}

Default = 0x00 0000

Instantaneous quadrature power, $Q2$, the product of $V2$ shifted 90 degrees and $I2$.

This is a two's complement value in the range of $-1.0 \leq value < 1.0$, with the binary point to the right of the MSB.

6.6.52 Peak Current 1 ($I1_{PEAK}$) – Page 0, Address 37

MSB														LSB	
$-(2^0)$	2^{-1}	2^{-2}	2^{-3}	2^{-4}	2^{-5}	2^{-6}	2^{-7}	2^{-17}	2^{-18}	2^{-19}	2^{-20}	2^{-21}	2^{-22}	2^{-23}

Default = 0x00 0000

Peak current1 ($I1_{PEAK}$) contains the value of the instantaneous current 1 sample with the greatest magnitude detected during the last low-rate interval.

This is a two's complement value in the range of $-1.0 \leq \text{value} < 1.0$, with the binary point to the right of the MSB.

6.6.53 Peak Voltage 1 ($V1_{PEAK}$) – Page 0, Address 36

MSB														LSB	
$-(2^0)$	2^{-1}	2^{-2}	2^{-3}	2^{-4}	2^{-5}	2^{-6}	2^{-7}	2^{-17}	2^{-18}	2^{-19}	2^{-20}	2^{-21}	2^{-22}	2^{-23}

Default = 0x00 0000

Peak voltage 1 ($V1_{PEAK}$) contains the value of the instantaneous voltage 1 sample with the greatest magnitude detected during the last low-rate interval.

This is a two's complement value in the range of $-1.0 \leq \text{value} < 1.0$, with the binary point to the right of the MSB.

6.6.54 Apparent Power 1 ($S1$) – Page 16, Address 20

MSB														LSB	
0	2^{-1}	2^{-2}	2^{-3}	2^{-4}	2^{-5}	2^{-6}	2^{-7}	2^{-17}	2^{-18}	2^{-19}	2^{-20}	2^{-21}	2^{-22}	2^{-23}

Default = 0x00 0000

Apparent power 1 ($S1$) is the product of $V1_{RMS}$ and $I1_{RMS}$ or $\text{SQRT}(P1_{AVG}^2 + Q1_{AVG}^2)$.

This is an unsigned value in the range of $0 \leq \text{value} \leq 1.0$, with the binary point to the right of the MSB.

6.6.55 Power Factor 1 ($PF1$) – Page 16, Address 21

MSB														LSB	
$-(2^0)$	2^{-1}	2^{-2}	2^{-3}	2^{-4}	2^{-5}	2^{-6}	2^{-7}	2^{-17}	2^{-18}	2^{-19}	2^{-20}	2^{-21}	2^{-22}	2^{-23}

Default = 0x00 0000

Power factor 1 ($PF1$) is calculated by dividing active power 1 ($P1_{AVG}$) by apparent power 1 ($S1$).

The sign is determined by the active power ($P1_{AVG}$) sign.

This is a two's complement value in the range of $-1.0 \leq \text{value} < 1.0$, with the binary point to the right of the MSB.

6.6.56 Peak Current 2 ($I2_{PEAK}$) – Page 0, Address 39

MSB														LSB	
$-(2^0)$	2^{-1}	2^{-2}	2^{-3}	2^{-4}	2^{-5}	2^{-6}	2^{-7}	2^{-17}	2^{-18}	2^{-19}	2^{-20}	2^{-21}	2^{-22}	2^{-23}

Default = 0x00 0000

Peak current, $I2_{PEAK}$, contains the value of the instantaneous current 2 sample with the greatest magnitude detected during the last low-rate interval.

This is a two's complement value in the range of $-1.0 \leq \text{value} < 1.0$, with the binary point to the right of the MSB.

6.6.57 Peak Voltage 2 ($V2_{PEAK}$) – Page 0, Address 38

MSB														LSB	
$-(2^0)$	2^{-1}	2^{-2}	2^{-3}	2^{-4}	2^{-5}	2^{-6}	2^{-7}	2^{-17}	2^{-18}	2^{-19}	2^{-20}	2^{-21}	2^{-22}	2^{-23}

Default = 0x00 0000

Peak voltage, $V2_{PEAK}$, contains the value of the instantaneous voltage 2 sample with the greatest magnitude detected during the last low-rate interval.

This is a two's complement value in the range of $-1.0 \leq \text{value} < 1.0$, with the binary point to the right of the MSB.

6.6.58 Apparent Power 2 ($S2$) – Page 16, Address 24

MSB														LSB	
0	2^{-1}	2^{-2}	2^{-3}	2^{-4}	2^{-5}	2^{-6}	2^{-7}	2^{-17}	2^{-18}	2^{-19}	2^{-20}	2^{-21}	2^{-22}	2^{-23}

Default = 0x00 0000

Apparent power 2 ($S2$) is the product of $V2_{RMS}$ and $I2_{RMS}$ or $\text{SQRT}(P2_{AVG}^2 + Q2_{AVG}^2)$.

This is an unsigned value in the range of $0 \leq \text{value} \leq 1.0$, with the binary point to the right of the MSB.

6.6.59 Power Factor 2 ($PF2$) – Page 16, Address 25

MSB														LSB	
$-(2^0)$	2^{-1}	2^{-2}	2^{-3}	2^{-4}	2^{-5}	2^{-6}	2^{-7}	2^{-17}	2^{-18}	2^{-19}	2^{-20}	2^{-21}	2^{-22}	2^{-23}

Default = 0x00 0000

Power factor 2 ($PF2$) is calculated by dividing active power 2 ($P2_{AVG}$) by apparent power 2 ($S2$).

The sign is determined by the active power ($P2_{AVG}$) sign.

This is a two's complement value in the range of $-1.0 \leq \text{value} < 1.0$, with the binary point to the right of the MSB.

6.6.60 Temperature (T) – Page 16, Address 27

MSB										LSB					
$-(2^7)$	2^6	2^5	2^4	2^3	2^2	2^1	2^0	2^{-10}	2^{-11}	2^{-12}	2^{-13}	2^{-14}	2^{-15}	2^{-16}

Default = 0x00 0000

T contains results from the on-chip temperature measurement.

By default, T uses the Celsius scale and is a two's complement value in the range of $-128.0 \leq \text{value} < 128.0$ ($^{\circ}\text{C}$), with the binary point to the right of bit 16.

T can be rescaled by the application using the T_{GAIN} and T_{OFF} registers.

6.6.61 Total Active Power (P_{SUM}) – Page 16, Address 29

MSB										LSB					
$-(2^0)$	2^{-1}	2^{-2}	2^{-3}	2^{-4}	2^{-5}	2^{-6}	2^{-7}	2^{-17}	2^{-18}	2^{-19}	2^{-20}	2^{-21}	2^{-22}	2^{-23}

Default = 0x00 0000

$$P_{SUM} = P1_{AVG} + P2_{AVG}$$

This is a two's complement value in the range of $-1.0 \leq \text{value} < 1.0$, with the binary point to the right of the MSB.

6.6.62 Total Apparent Power (S_{SUM}) – Page 16, Address 30

MSB										LSB					
0	2^{-1}	2^{-2}	2^{-3}	2^{-4}	2^{-5}	2^{-6}	2^{-7}	2^{-17}	2^{-18}	2^{-19}	2^{-20}	2^{-21}	2^{-22}	2^{-23}

Default = 0x00 0000

$$S_{SUM} = S1 + S2$$

This is an unsigned value in the range of $0.0 \leq \text{value} < 1.0$, with the binary point to the right of the MSB.

6.6.63 Total Reactive Power (Q_{SUM}) – Page 16, Address 31

MSB										LSB					
$-(2^0)$	2^{-1}	2^{-2}	2^{-3}	2^{-4}	2^{-5}	2^{-6}	2^{-7}	2^{-17}	2^{-18}	2^{-19}	2^{-20}	2^{-21}	2^{-22}	2^{-23}

Default = 0x00 0000

$$Q_{SUM} = Q1_{AVG} + Q2_{AVG}$$

This is a two's complement value in the range of $-1.0 \leq \text{value} < 1.0$, with the binary point to the right of the MSB.

6.6.64 DC Offset for Current ($I1_{DCOFF}$, $I2_{DCOFF}$) – Page 16, Address 32, 39

MSB														LSB	
$-(2^0)$	2^{-1}	2^{-2}	2^{-3}	2^{-4}	2^{-5}	2^{-6}	2^{-7}	2^{-17}	2^{-18}	2^{-19}	2^{-20}	2^{-21}	2^{-22}	2^{-23}

Default = 0x00 0000

DC offset registers $I1_{DCOFF}$ and $I2_{DCOFF}$ are initialized to zero on reset. During DC offset calibration, selected registers are written with the inverse of the DC offset measured. The application program can also write the DC offset register values. These are two's complement values in the range of $-1.0 \leq \text{value} < 1.0$, with the binary point to the right of the MSB.

6.6.65 DC Offset for Voltage ($V1_{DCOFF}$, $V2_{DCOFF}$) – Page 16, Address 34, 41

MSB														LSB	
$-(2^0)$	2^{-1}	2^{-2}	2^{-3}	2^{-4}	2^{-5}	2^{-6}	2^{-7}	2^{-17}	2^{-18}	2^{-19}	2^{-20}	2^{-21}	2^{-22}	2^{-23}

Default = 0x00 0000

DC offset registers $V1_{DCOFF}$ and $V2_{DCOFF}$ are initialized to zero on reset. During DC offset calibration, selected registers are written with the inverse of the DC offset measured. The application program can also write the DC offset register values. These are two's complement values in the range of $-1.0 \leq \text{value} < 1.0$, with the binary point to the right of the MSB.

6.6.66 Gain for Current ($I1_{GAIN}$, $I2_{GAIN}$) – Page 16, Address 33, 40

MSB														LSB	
2^1	2^0	2^{-1}	2^{-2}	2^{-3}	2^{-4}	2^{-5}	2^{-6}	2^{-16}	2^{-17}	2^{-18}	2^{-19}	2^{-20}	2^{-21}	2^{-22}

Default = 0x40 0000 (1.0)

Gain registers $I1_{GAIN}$ and $I2_{GAIN}$ are initialized to 1.0 on reset. During gain calibration, selected register are written with the multiplicative inverse of the gain measured. These are unsigned fixed-point values in the range of $0 \leq \text{value} < 4.0$, with the binary point to the right of the second MSB.

6.6.67 Gain for Voltage ($V1_{GAIN}$, $V2_{GAIN}$) – Page 16, Address 35, 42

MSB														LSB	
2^1	2^0	2^{-1}	2^{-2}	2^{-3}	2^{-4}	2^{-5}	2^{-6}	2^{-16}	2^{-17}	2^{-18}	2^{-19}	2^{-20}	2^{-21}	2^{-22}

Default = 0x40 0000 (1.0)

Gain registers $V1_{GAIN}$ and $V2_{GAIN}$ are initialized to 1.0 on reset. During gain calibration, selected registers are written with the multiplicative inverse of the gain measured. These are unsigned fixed-point values in the range of $0 \leq \text{value} < 4.0$, with the binary point to the right of the second MSB.

6.6.68 Average Active Power Offset ($P1_{OFF}$, $P2_{OFF}$) – Page 16, Address 36, 43

MSB										LSB					
$-(2^0)$	2^{-1}	2^{-2}	2^{-3}	2^{-4}	2^{-5}	2^{-6}	2^{-7}	2^{-17}	2^{-18}	2^{-19}	2^{-20}	2^{-21}	2^{-22}	2^{-23}

Default = 0x00 0000

Average Active Power offset $P1_{OFF}$ ($P2_{OFF}$) is added to averaged power to yield $P1_{AVG}$ ($P2_{AVG}$) register results. It can be used to reduce systematic energy errors. These are two's complement values in the range of $-1.0 \leq \text{value} < 1.0$, with the binary point to the right of the MSB.

6.6.69 Average Reactive Offset ($Q1_{OFF}$, $Q2_{OFF}$) – Page 16, Address 38, 45

MSB										LSB					
$-(2^0)$	2^{-1}	2^{-2}	2^{-3}	2^{-4}	2^{-5}	2^{-6}	2^{-7}	2^{-17}	2^{-18}	2^{-19}	2^{-20}	2^{-21}	2^{-22}	2^{-23}

Default = 0x00 0000

Average Reactive Power offset $Q1_{OFF}$ ($Q2_{OFF}$) is added to averaged reactive power to yield $Q1_{AVG}$ ($Q2_{AVG}$) register results. It can be used to reduce systematic energy errors. These are two's complement values in the range of $-1.0 \leq \text{value} < 1.0$, with the binary point to the right of the MSB.

6.6.70 AC Offset for Current ($I1_{ACOFF}$, $I2_{ACOFF}$) – Page 16, Address 37, 44

MSB										LSB					
2^{-1}	2^{-2}	2^{-3}	2^{-4}	2^{-5}	2^{-6}	2^{-7}	2^{-8}	2^{-18}	2^{-19}	2^{-20}	2^{-21}	2^{-22}	2^{-23}	2^{-24}

Default = 0x00 0000

AC offset registers $I1_{ACOFF}$ and $I2_{ACOFF}$ are initialized to zero on reset. They are used to reduce systematic errors in the RMS results. These are unsigned values in the range of $0 \leq \text{value} < 1.0$, with the binary point to the left of the MSB.

6.6.71 Temperature Gain (T_{GAIN}) – Page 16, Address 54

MSB										LSB					
2^7	2^6	2^5	2^4	2^3	2^2	2^1	2^0	2^{-10}	2^{-11}	2^{-12}	2^{-13}	2^{-14}	2^{-15}	2^{-16}

Default = 0x 06 B716

Register T_{GAIN} is used to scale the Temperature register (T), and is an unsigned fixed-point value in the range of $0.0 \leq \text{value} < 256.0$, with the binary point to the right of bit 16.

Register T can be rescaled by the application using the T_{GAIN} and T_{OFF} registers. Refer to section [7.3 Temperature Sensor Calibration](#) on page 65 for more information.

6.6.72 Temperature Offset (T_{OFF}) – Page 16, Address 55

MSB								LSB							
$-(2^7)$	2^6	2^5	2^4	2^3	2^2	2^1	2^0	2^{-10}	2^{-11}	2^{-12}	2^{-13}	2^{-14}	2^{-15}	2^{-16}

Default = 0x D5 3998

Register T_{OFF} is used to offset the Temperature register (T), and is a two's complement value in the range of $-128.0 \leq \text{value} < 128.0$ (°C), with the binary point to the right of bit 16.

Register T can be rescaled by the application using the T_{GAIN} and T_{OFF} registers. Refer to section [7.3 Temperature Sensor Calibration](#) on page 65 for more information.

6.6.73 Calibration Scale ($Scale$) – Page 18, Address 63

MSB								LSB							
$-(2^0)$	2^{-1}	2^{-2}	2^{-3}	2^{-4}	2^{-5}	2^{-6}	2^{-7}	2^{-17}	2^{-18}	2^{-19}	2^{-20}	2^{-21}	2^{-22}	2^{-23}

Default = 0x4C CCCC (0.6)

The $Scale$ register is used in the gain calibration to set the level of calibrated results of I-channel RMS. During gain calibration, the $I_{X_{RMS}}$ results register is divided into the $Scale$ register. The quotient is put into the $I_{X_{GAIN}}$ register. This is a two's complement value in the range of $-1.0 \leq \text{value} < 1.0$, with the binary point to the right of the MSB. Negative values are not used.

6.6.74 V-Channel Zero-crossing Threshold (VZX_{LEVEL}) – Page 18, Address 58

MSB								LSB							
$-(2^0)$	2^{-1}	2^{-2}	2^{-3}	2^{-4}	2^{-5}	2^{-6}	2^{-7}	2^{-17}	2^{-18}	2^{-19}	2^{-20}	2^{-21}	2^{-22}	2^{-23}

Default = 0x10 0000 (0.125)

VZX_{LEVEL} is the level that the peak instantaneous voltage must exceed for the zero-crossing detection to function. This is a two's complement value in the range of $-1.0 \leq \text{value} < 1.0$, with the binary point to the right of the MSB. Negative values are not used.

6.6.75 I-Channel Zero-crossing Threshold (IZX_{LEVEL}) – Page 18, Address 24

MSB								LSB							
$-(2^0)$	2^{-1}	2^{-2}	2^{-3}	2^{-4}	2^{-5}	2^{-6}	2^{-7}	2^{-17}	2^{-18}	2^{-19}	2^{-20}	2^{-21}	2^{-22}	2^{-23}

Default = 0x10 0000 (0.125)

IZX_{LEVEL} is the level that the peak instantaneous current must exceed for the zero-crossing detection to function. This is a two's complement value in the range of $-1.0 \leq \text{value} < 1.0$, with the binary point to the right of the MSB. Negative values are not used.

6.6.76 Zero-crossing Number (ZX_{NUM}) – Page 0, Address 55

MSB								LSB							
2^{23}	2^{22}	2^{21}	2^{20}	2^{19}	2^{18}	2^{17}	2^{16}	2^6	2^5	2^4	2^3	2^2	2^1	2^0

Default = 0x00 0064 (100)

ZX_{NUM} is the number of zero crossings used for line frequency measurement. It is an integer in the range of 1 to 8,388,607. Zero should not be used.

7. SYSTEM CALIBRATION

Component tolerances, residual ADC offset, and system noise require a meter that needs to be calibrated before it meets a specific accuracy requirement. The CS5484 provides an on-chip calibration algorithm to operate the system calibration quickly and easily. Benefiting from the excellent linearity and low noise level of the CS5484, normally a CS5484 meter only needs one calibration at a single load point to achieve accurate measurements over the full load range.

7.1 Calibration in General

The CS5484 provides DC offset and gain calibration that can be applied to the instantaneous voltage and current measurements and AC offset calibration, which can be applied to the voltage and current RMS calculations.

Since the voltage and current channels have independent offset and gain registers, offset and gain calibration can be performed on any channel independently.

The data flow of the calibration is shown in Figure 23.

Note that in Figure 23 the AC offset registers and gain registers affect the output results differently than the DC offset registers. The DC offset and gain values are applied to the voltage/current signals early in the signal path; the DC offset register and gain register values affect all CS5484 results. This is not true for the AC offset correction. The AC offset registers only affect the results of the RMS voltage and current calculations.

The CS5484 must be operating in its active state and ready to accept valid commands. Refer to section 6.1.2 [Instructions](#) on page 27 for different calibration

commands. The value in the *SampleCount* register determines the number (*N*) of output word rate (OWR) samples that are averaged during a calibration. The calibration procedure takes the time of $N + T_{SETTLE}$ OWR samples. As *N* is increased, the calibration takes more time, but the accuracy of the calibration results tends to increase.

The DRDY bit in the *Status0* register will be set at the completion of calibration commands. If an overflow occurs during calibration, other *Status0* bits may be set as well.

7.1.1 Offset Calibration

During offset calibrations, no line voltage or current should be applied to the meter; the differential signal on voltage inputs V1IN± (V2IN±) or current inputs IIN1± (IIN2±) of the CS5484 should be 0V.

7.1.1.1 DC Offset Calibration

The DC offset calibration command measures and averages DC values read on specified voltage or current channels at zero input and stores the inverse result in the associated offset registers. This DC offset will be added to instantaneous measurements in subsequent conversions, removing the offset.

The gain register for the channel being calibrated should be set to 1.0 prior to performing DC offset calibration.

DC offset calibration is not required if the high-pass filter is enabled on that channel because the DC component will be removed by the high-pass filter.*

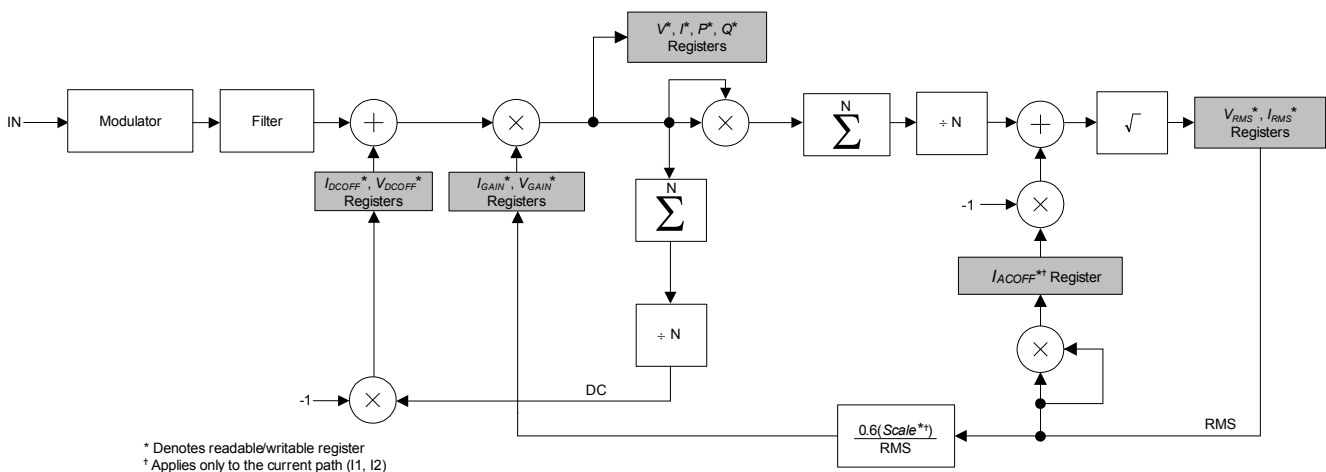


Figure 23. Calibration Data Flow

7.1.1.2 AC Offset Calibration

The AC offset calibration command measures the residual RMS values on the current channel at zero input and stores the squared result in the associated AC offset register. This AC offset will be subtracted from RMS measurements in subsequent conversions, removing the AC offset on the associated current channel.

The AC offset register for the channel being calibrated should first be cleared prior to performing the calibration. The high-pass filter should be enabled if AC offset calibration is used. It is recommended that T_{SETTLE} be set to 2000 ms before performing an AC offset calibration. Note that the AC offset register holds the square of RMS value measured during calibration. Therefore, it can hold a maximum RMS noise of $\sqrt{0xFFFF}$. This is the maximum RMS noise that AC offset correction can remove.

7.1.2 Gain Calibration

Prior to executing the gain calibration command, gain registers for any path to be calibrated (VX_{GAIN} , IX_{GAIN}) should be set to 1.0, and T_{SETTLE} should be set to 2000 ms. For gain calibration, a reference signal must be applied to the meter. During gain calibration, the voltage RMS result register (VX_{RMS}) is divided into 0.6, and the current RMS result register (IX_{RMS}) is divided into the *Scale* register. The quotient is put into the associated gain register. The gain calibration algorithm attempts to adjust the gain register (VX_{GAIN} , IX_{GAIN}) such that the voltage RMS result register (VX_{RMS}) equals 0.6, and the current RMS result register (IX_{RMS}) equals the *Scale* register.

Note that for the gain calibration, there are limitations on choosing the reference level and the *Scale* register value. Using a reference or a scale that is too large or too small can cause register overflow during calibration or later during normal operation. Either condition can set *Status* register bits I1OR (I2OR) V1OR (V2OR). The maximum value that the gain register can attain is four. Using inappropriate reference levels or scale values may also cause the CS5484 to attempt to set the gain register higher than four, therefore the gain calibration result will be invalid.

The *Scale* register is 0.6 by default. The maximum voltage (U_{MAX} Volts) and current (I_{MAX} Amps) of the meter should be used as the reference signal level if the *Scale* register is 0.6. After gain calibration, 0.6 of the VX_{RMS} (IX_{RMS}) register represents U_{MAX} Volts (I_{MAX} Amps) for the line voltage (load current); 0.36 of the PX_{AVG} , QX_{AVG} , or Sx register represents $U_{MAX} \times I_{MAX}$

Watts, Vars, or VAs for the active, reactive, or apparent power.

If the calibration is performed with U_{MAX} Volts and I_{CAL} Amps and $I_{CAL} < I_{MAX}$, the *Scale* register needs to be scaled down to $0.6 \times I_{CAL} / I_{MAX}$ before performing gain calibration. After gain calibration, 0.6 of the VX_{RMS} register represents U_{MAX} Volts, $0.6 \times I_{CAL} / I_{MAX}$ of the IX_{RMS} register represents I_{CAL} Amps, and $0.36 \times I_{CAL} / I_{MAX}$ of the PX_{AVG} , QX_{AVG} , or Sx register represents $U_{MAX} \times I_{CAL}$ Watts, Vars, or VAs.

7.1.3 Calibration Order

1. If the HPF option is enabled, then any DC component that may be present in the selected signal channel will be removed, and a DC offset calibration is not required. However, if the HPF option is disabled, the DC offset calibration should be performed.

When using high-pass filters, it is recommended that the DC offset register for the corresponding channel be set to zero. Before performing DC offset calibration, the DC offset register should be set to 0, and the corresponding gain register should be set to 1.

2. If there is an AC offset in the IX_{RMS} calculation, the AC offset calibration should be performed on the current channel. Before performing AC offset calibration, the AC offset register should be set to 0. It is recommended that T_{SETTLE} be set to 2000 ms before performing an AC offset calibration.
3. Perform the gain calibration.
4. If an AC offset calibration was performed (step 2), then the AC offset may need to be adjusted to compensate for the change in gain (step 3). This can be accomplished by restoring zero to the AC offset register and then performing an AC offset calibration. The adjustment could also be done by multiplying the AC offset register value that was calculated in step 2 by the gain calculated in step 3 and updating the AC offset register with the product.

7.2 Phase Compensation

A phase compensation mechanism is provided to adjust for meter-to-meter variation in signal path delays. Phase offset between a voltage channel and its corresponding current channel can be calculated by using the power factor ($PF1$, $PF2$) register after a conversion.

- 1) Apply a reference voltage and current with a lagging power factor to the meter. The reference current waveform should lag the voltage with a 60° phase shift.
- 2) Start continuous conversion.

- 3) Accumulate multiple readings of the *PF1* or *PF2* register.
- 4) Calculate the average power factor, PF_{avg} .
- 5) Calculate phase offset = $\arccos(PF_{avg}) - 60^\circ$.
- 6) If the phase offset is negative, then the delay should be added only to the current channel. Otherwise, add more delay to the voltage channel than to the current channel to compensate for a positive phase offset.

Once the phase offset is known, the *CPCCx* and *FPCCx* bits for that channel are calculated and programmed in the *PC* register.

CPCCx bits are used if either:

- The phase offset is more than 1 output word rate (OWR) sample.
- More delay is needed on the voltage channel.

The compensation resolution is 0.008789° at 50Hz and 0.010547° at 60Hz at an OWR of 4000Hz.

7.3 Temperature Sensor Calibration

Temperature sensor calibration involves the adjustment of two parameters: temperature gain (T_{GAIN}) and temperature offset (T_{OFF}). Before calibration, T_{GAIN} must be set to 1.0 (0x 01 0000), and T_{OFF} must be set to 0.0 (0x 00 0000).

7.3.1 Temperature Offset and Gain Calibration

To obtain the optimal temperature offset (T_{OFF}) register value and temperature (T_{GAIN}) register value, it is necessary to measure the temperature (T) register at a minimum of two points ($T1$ and $T2$) across the meter operating temperature range. The two temperature points must be far enough apart to yield reasonable accuracy, for example 25°C and 85°C . Obtain a linear fit of these points ($y = m \cdot x + b$), where the slope (m) and intercept (b) can be obtained.

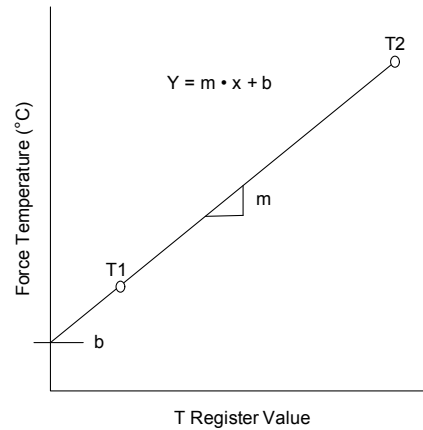


Figure 24. T Register vs. Force Temp

T_{OFF} and T_{GAIN} are calculated using the following equations:

$$T_{OFF} = \frac{b}{m}$$

$$T_{GAIN} = m$$

8. BASIC APPLICATION CIRCUITS

Figure 25 shows the CS5484 configured to measure power in a single-phase, 3-wire system with two voltages and two currents. In this diagram, current

transformers (CTs) are used to sense the line load currents, and resistive voltage dividers are used to sense the line voltage.

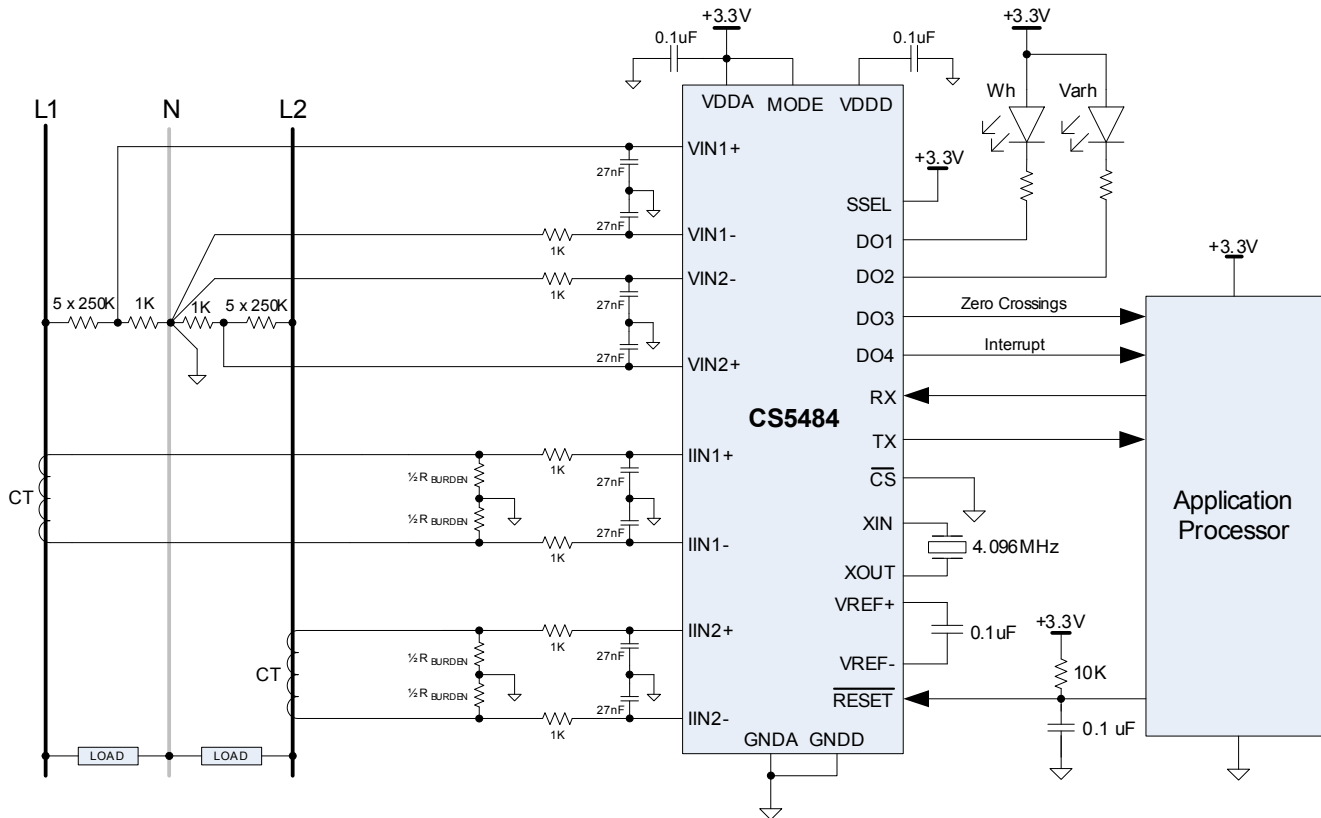
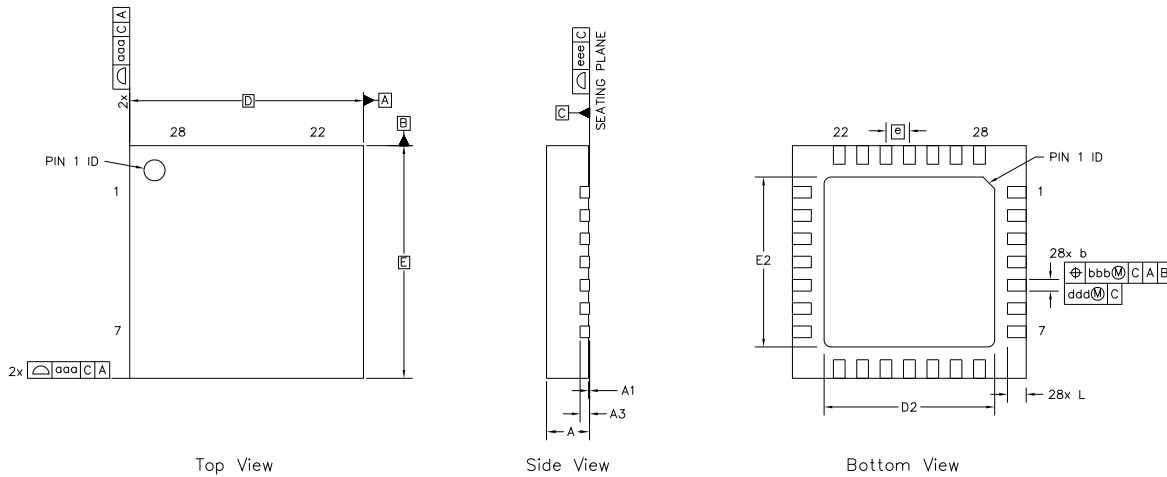


Figure 25. Typical Connection (Single-phase, 3-wire, 12S Electricity Meter)

9. PACKAGE DIMENSIONS
28 QFN (5mmX5mm BODY with EXPOSED PAD) PACKAGE DRAWING


Dimension	mm			inch		
	MIN	NOM	MAX	MIN	NOM	MAX
A	0.80	0.90	1.00	0.031	0.035	0.039
A1	0.00	0.02	0.05	0.000	0.001	0.002
A3	0.20 REF			0.008 REF		
b	0.20	0.25	0.30	0.008	0.010	0.012
D	5.00 BSC			0.197 BSC		
D2	3.50	3.65	3.80	0.138	0.144	0.150
e	0.50 BSC			0.020 BSC		
E	5.00 BSC			0.197 BSC		
E2	3.50	3.65	3.80	0.138	0.144	0.150
L	0.35	0.40	0.45	0.014	0.016	0.018
aaa	0.15			0.006		
bbb	0.10			0.004		
ddd	0.05			0.002		
eee	0.08			0.003		

Notes:

- Controlling dimensions are in millimeters.
- Dimensions and tolerances per ASME Y14.5M.
- This drawing conforms to JEDEC outline MO-220, variation VHHD-3.
- Recommended reflow profile is per JEDEC/IPC J-STD-020.

10. ORDERING INFORMATION

Ordering Number	Container	Temperature	Package
CS5484-INZ	Bulk	-40 to +85 °C	28-pin QFN, Lead (Pb) Free
CS5484-INZR	Tape & Reel		

11. ENVIRONMENTAL, MANUFACTURING, AND HANDLING INFORMATION

Part Number	Peak Reflow Temp	MSL Rating*	Max Floor Life
CS5484-INZ	260°C	3	7 Days

* MSL (Moisture Sensitivity Level) as specified by IPC/JEDEC J-STD-020.

12. REVISION HISTORY

Revision	Date	Changes
PP1	APR 2012	Preliminary release.
F1	APR 2012	Edited for content and clarity.
F2	JUN 2012	Updated ordering information.
F3	MAR 2013	Clarified context.

Contacting Cirrus Logic Support

For all product questions and inquiries contact a Cirrus Logic Sales Representative.

To find the one nearest to you go to www.cirrus.com

IMPORTANT NOTICE

Cirrus Logic, Inc. and its subsidiaries ("Cirrus") believe that the information contained in this document is accurate and reliable. However, the information is subject to change without notice and is provided "AS IS" without warranty of any kind (express or implied). Customers are advised to obtain the latest version of relevant information to verify, before placing orders, that information being relied on is current and complete. All products are sold subject to the terms and conditions of sale supplied at the time of order acknowledgment, including those pertaining to warranty, indemnification, and limitation of liability. No responsibility is assumed by Cirrus for the use of this information, including use of this information as the basis for manufacture or sale of any items, or for infringement of patents or other rights of third parties. This document is the property of Cirrus and by furnishing this information, Cirrus grants no license, express or implied under any patents, mask work rights, copyrights, trademarks, trade secrets or other intellectual property rights. Cirrus owns the copyrights associated with the information contained herein and gives consent for copies to be made of the information only for use within your organization with respect to Cirrus integrated circuits or other products of Cirrus. This consent does not extend to other copying such as copying for general distribution, advertising or promotional purposes, or for creating any work for resale.

CERTAIN APPLICATIONS USING SEMICONDUCTOR PRODUCTS MAY INVOLVE POTENTIAL RISKS OF DEATH, PERSONAL INJURY, OR SEVERE PROPERTY OR ENVIRONMENTAL DAMAGE ("CRITICAL APPLICATIONS"). CIRRUS PRODUCTS ARE NOT DESIGNED, AUTHORIZED OR WARRANTED FOR USE IN PRODUCTS SURGICALLY IMPLANTED INTO THE BODY, AUTOMOTIVE SAFETY OR SECURITY DEVICES, LIFE SUPPORT PRODUCTS OR OTHER CRITICAL APPLICATIONS. INCLUSION OF CIRRUS PRODUCTS IN SUCH APPLICATIONS IS UNDERSTOOD TO BE FULLY AT THE CUSTOMER'S RISK AND CIRRUS DISCLAIMS AND MAKES NO WARRANTY, EXPRESS, STATUTORY OR IMPLIED, INCLUDING THE IMPLIED WARRANTIES OF MERCHANTABILITY AND FITNESS FOR PARTICULAR PURPOSE, WITH REGARD TO ANY CIRRUS PRODUCT THAT IS USED IN SUCH A MANNER. IF THE CUSTOMER OR CUSTOMER'S CUSTOMER USES OR PERMITS THE USE OF CIRRUS PRODUCTS IN CRITICAL APPLICATIONS, CUSTOMER AGREES, BY SUCH USE, TO FULLY INDEMNIFY CIRRUS, ITS OFFICERS, DIRECTORS, EMPLOYEES, DISTRIBUTORS AND OTHER AGENTS FROM ANY AND ALL LIABILITY, INCLUDING ATTORNEYS' FEES AND COSTS, THAT MAY RESULT FROM OR ARISE IN CONNECTION WITH THESE USES.

Cirrus Logic, Cirrus, the Cirrus Logic logo designs, EXL Core, and the EXL Core logo design are trademarks of Cirrus Logic, Inc. All other brand and product names in this document may be trademarks or service marks of their respective owners.

SPI is a trademark of Motorola, Inc.