

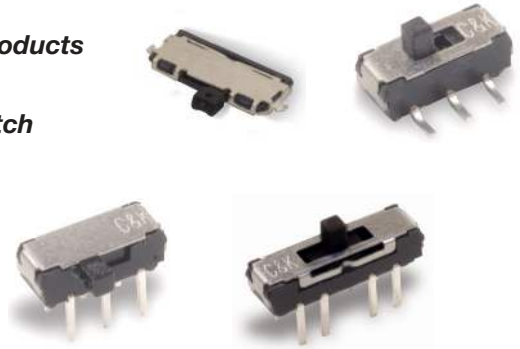
# JS Series Sub-Miniature Slide Switches

## Features/Benefits

- Positive detent
- Low profile
- IR reflow to 260° solder profile
- Surface and thru hole mounting
- SPDT, DPDT, DP3T models
- RoHS compliant

## Typical Applications

- Telecommunication products
- Computer peripherals
- Thermostat select switch
- Instrumentation
- Medical



## Specifications

CONTACT RATING: 0.3A@6VDC or 0.1A@30VDC  
 ELECTRICAL LIFE: 5,000 make-and-break cycles  
 CONTACT RESISTANCE: 70 m Ω max.  
 INSULATION RESISTANCE: 100 M Ω min. @ 500V  
 DIELECTRIC STRENGTH: 500 VAC min. @ sea level  
 OPERATING TEMPERATURE: -40°C to +85°C  
 STORAGE TEMPERATURE: -40°C to +85°C

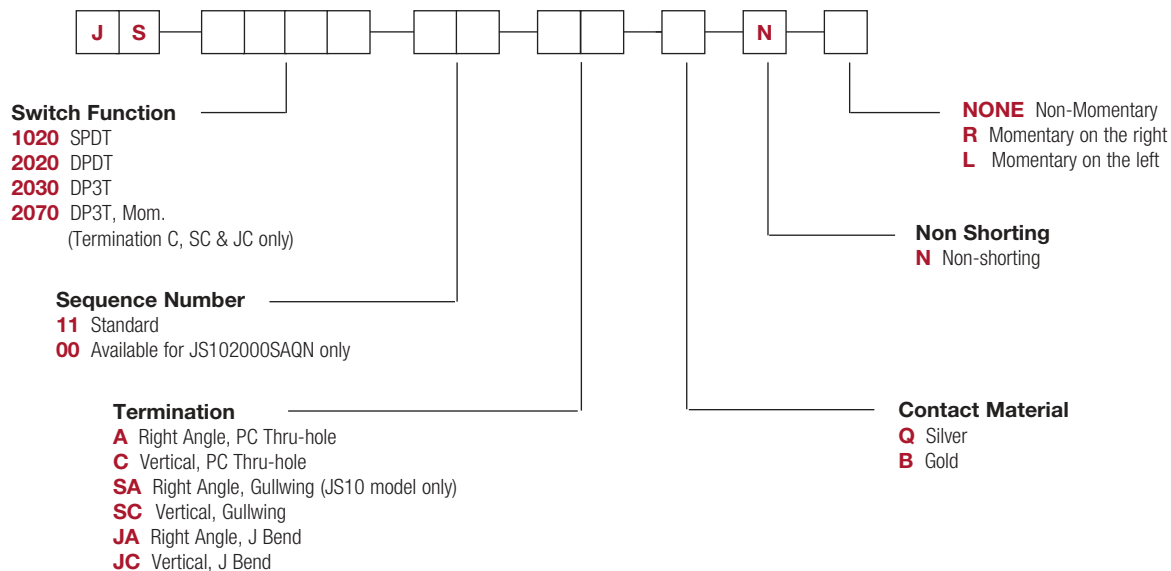
**NOTE:** Specifications and materials listed above are for switches with standard options.  
 For information on specific and custom switches, consult Customer Service Center.

## Materials

HOUSING: 4/6 nylon, black  
 ACTUATOR: 4/6 nylon, black (some options white)  
 CONTACTS: Copper alloy, silver or gold plated  
 TERMINALS: Brass, silver or gold plated

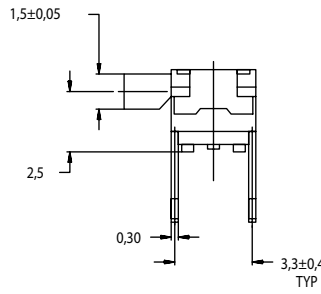
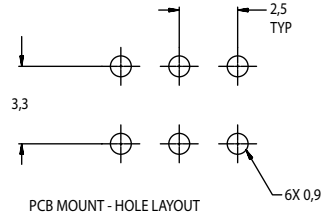
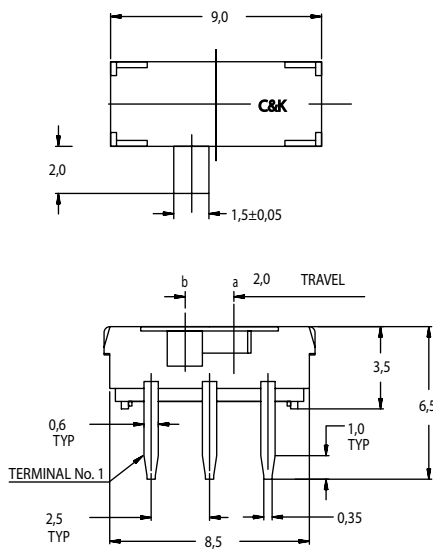
## How To Order

Our easy build-a-switch concept allows you to mix and match options to create the switch you need. To order, select desired option from each category and place it in the appropriate box.



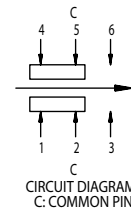
# JS Series Sub-Miniature Slide Switches

## RIGHT ANGLE, PC THRU-HOLE



Part Number  
JS202011AQN  
**DPDT**

Shown in position b



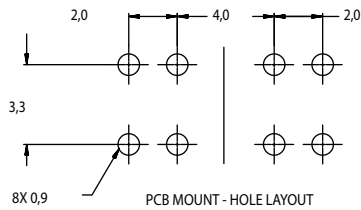
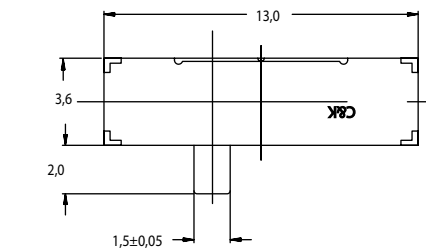
Shown in position b



Slide

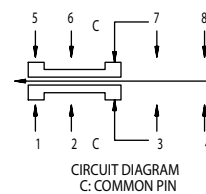
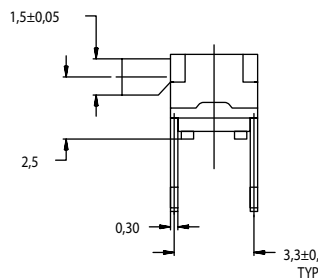
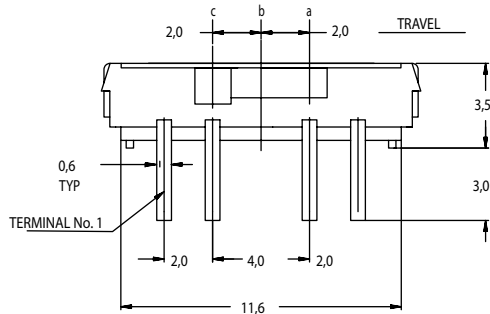
# JS Series Sub-Miniature Slide Switches

## RIGHT ANGLE, PC THRU-HOLE



Part Number  
JS203011AQN  
**DP3T**

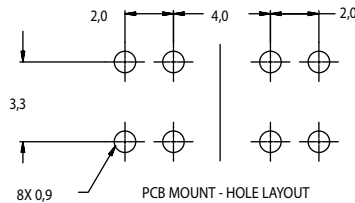
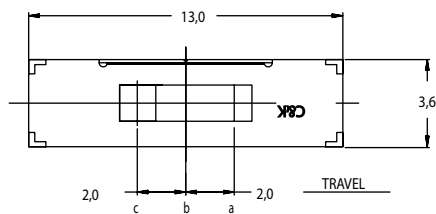
Shown in position b



CIRCUIT DIAGRAM  
C: COMMON PIN

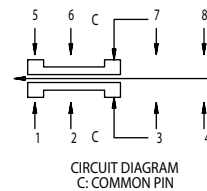
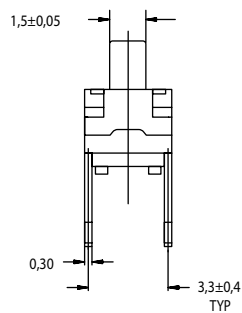
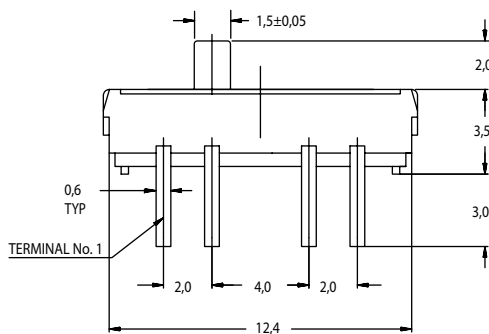
Shown in position c

## PC THRU-HOLE



Part Number  
JS203011CQN  
**DP3T**

Shown in position b

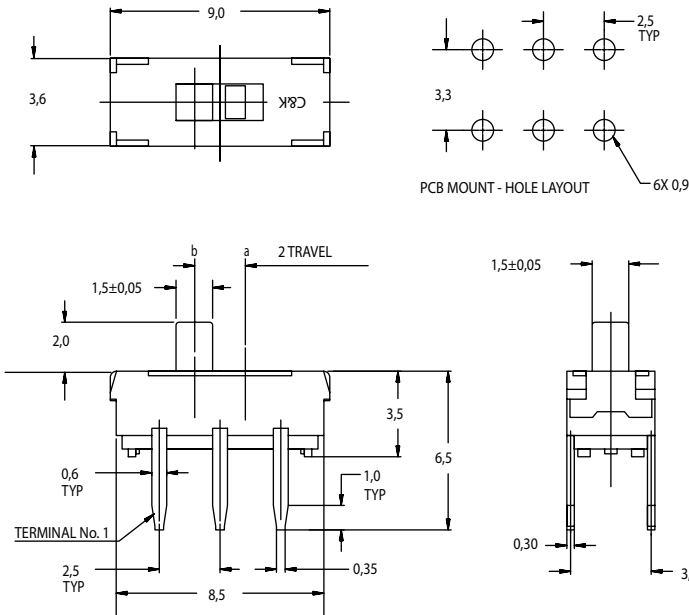


CIRCUIT DIAGRAM  
C: COMMON PIN

Shown in position c

# JS Series Sub-Miniature Slide Switches

## PC THRU-HOLE



Part Number  
JS202011CQN  
DPDT

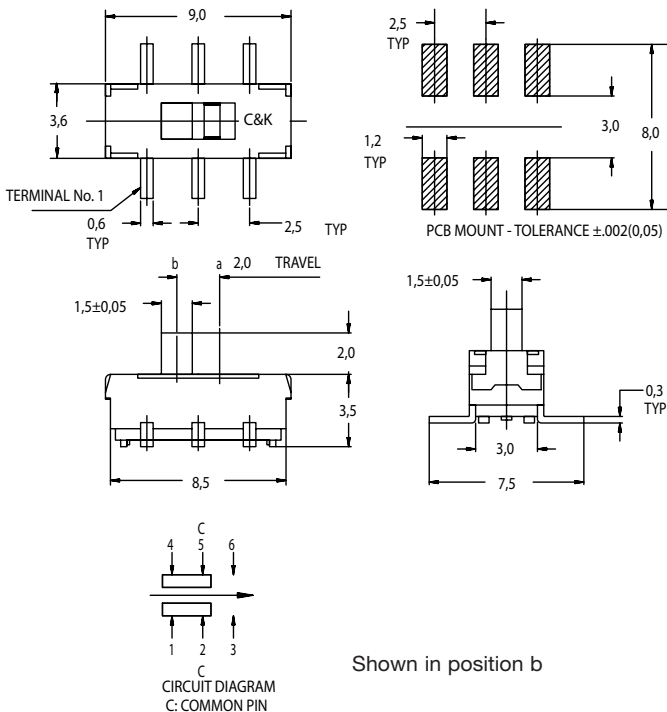
Shown in position a

Shown in position b

## SURFACE MOUNT

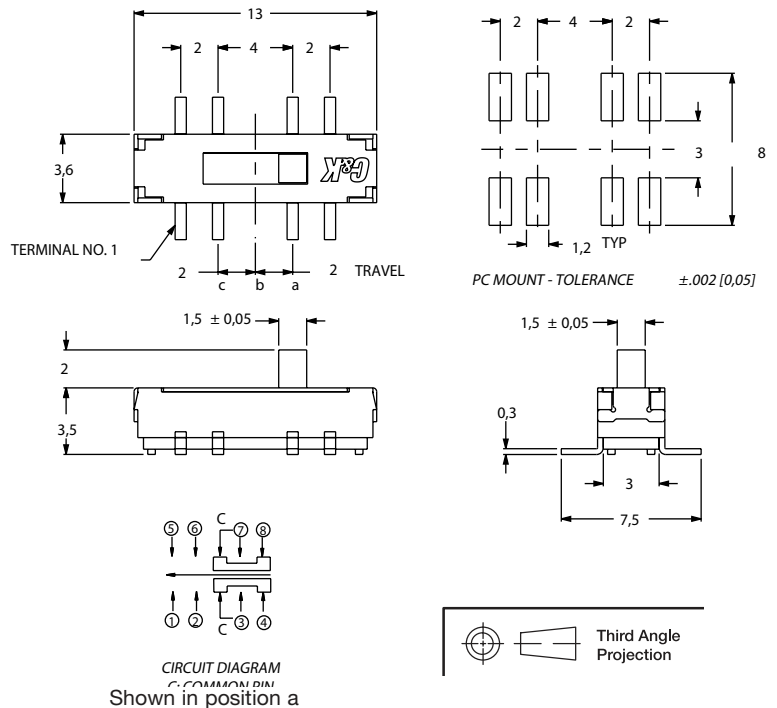
Part number  
JS202011SCQN  
DPDT

Shown in position b. Quantity per reel 1000  
Available in tape & reel only



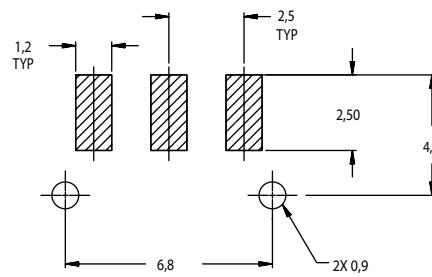
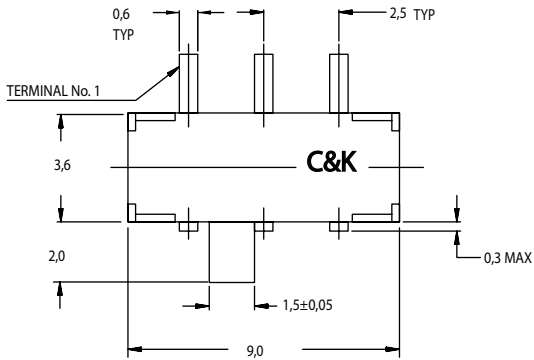
Part number  
JS203011SCQN  
DP3T

Quantity per reel 900  
Available in tape & reel only



# JS Series Sub-Miniature Slide Switches

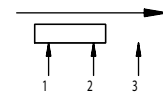
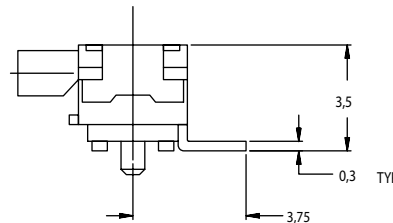
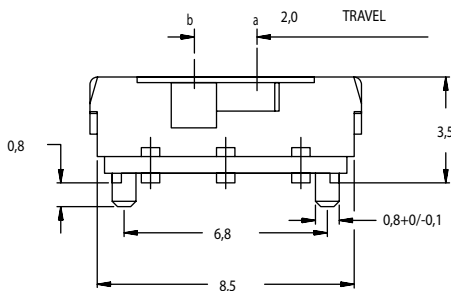
## RIGHT ANGLE SURFACE MOUNT



Part Number  
JS102011SAQN  
**SPDT**

Shown in position a

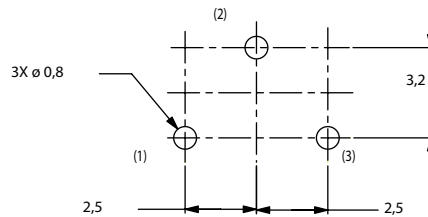
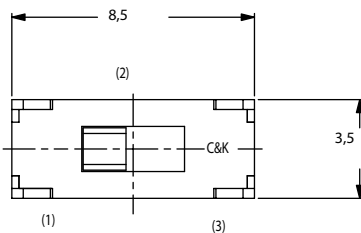
Available in tape & reel only



CIRCUIT DIAGRAM  
C: COMMON PIN

Shown in position b

## PC THRU-HOLE

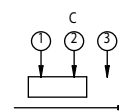
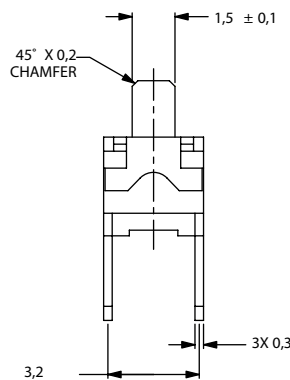
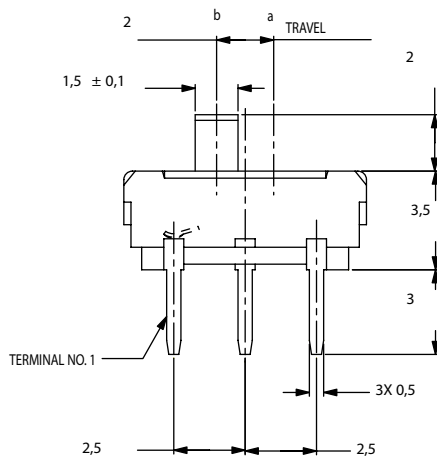


PCB LAYOUT RECOMMENDED



Part Number  
JS102011CQN  
**SPDT**

Shown in position a

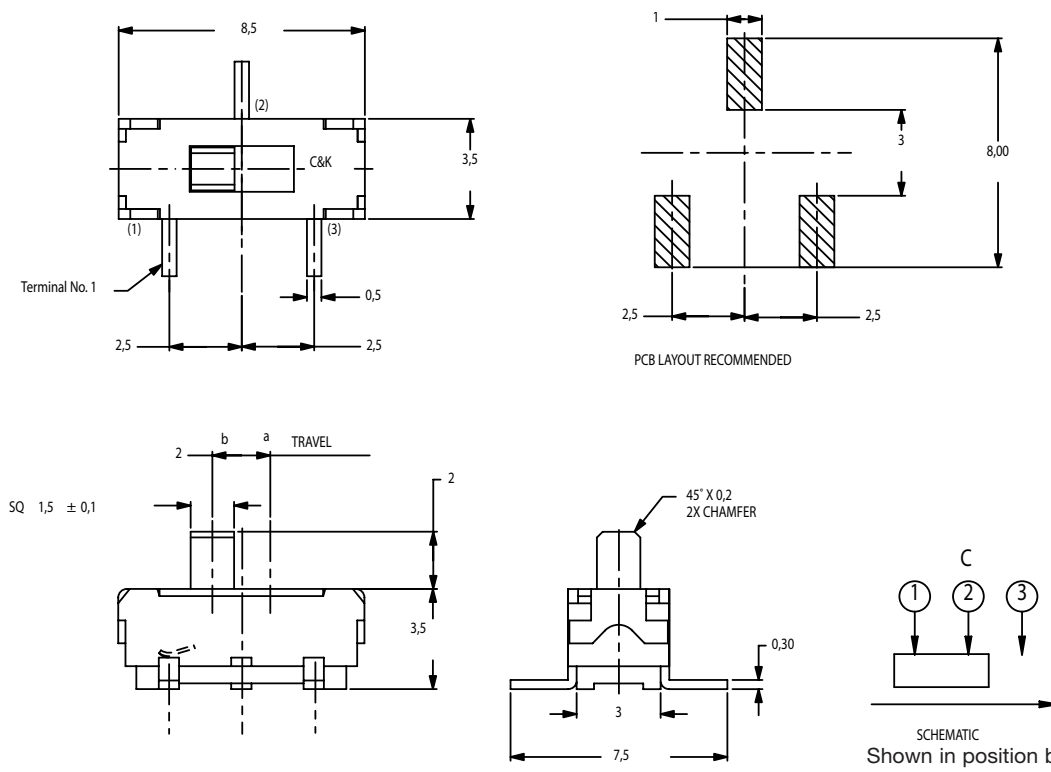


SCHMATIC

Shown in position b

# JS Series Sub-Miniature Slide Switches

## SURFACE MOUNT

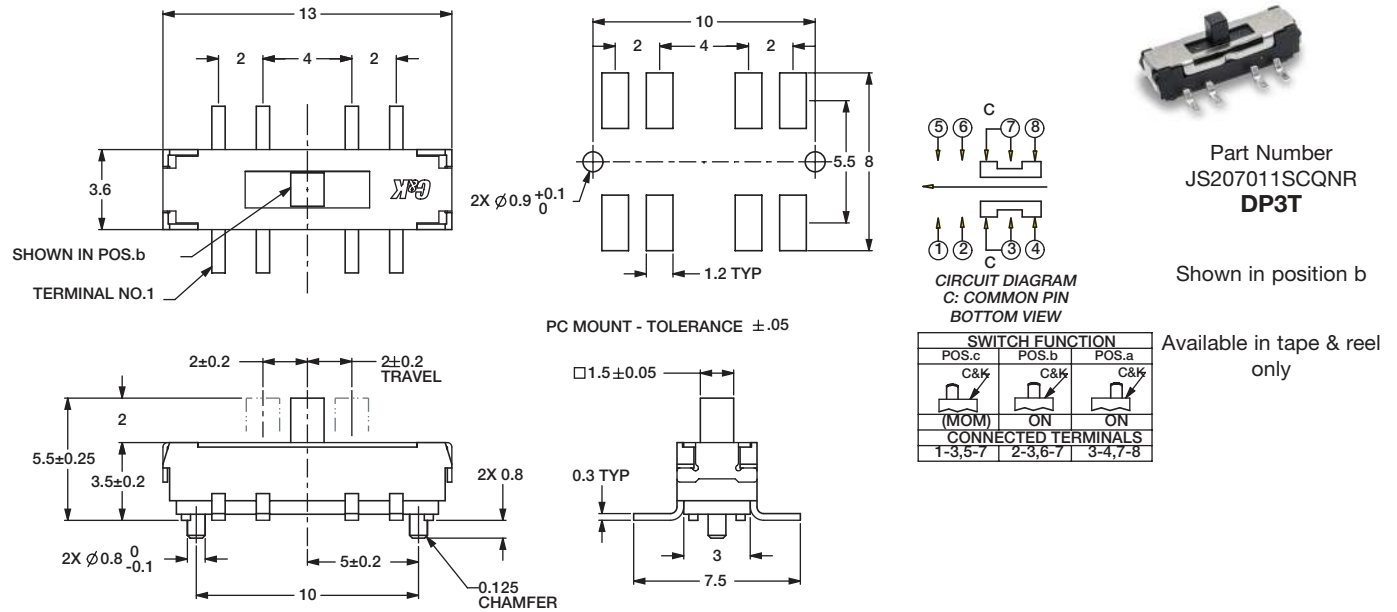


Part Number  
JS102011SCQN  
**SPDT**

Shown in position a

Available in tape & reel only

## SURFACE MOUNT



Part Number  
JS207011SCQNR  
**DP3T**

Shown in position b

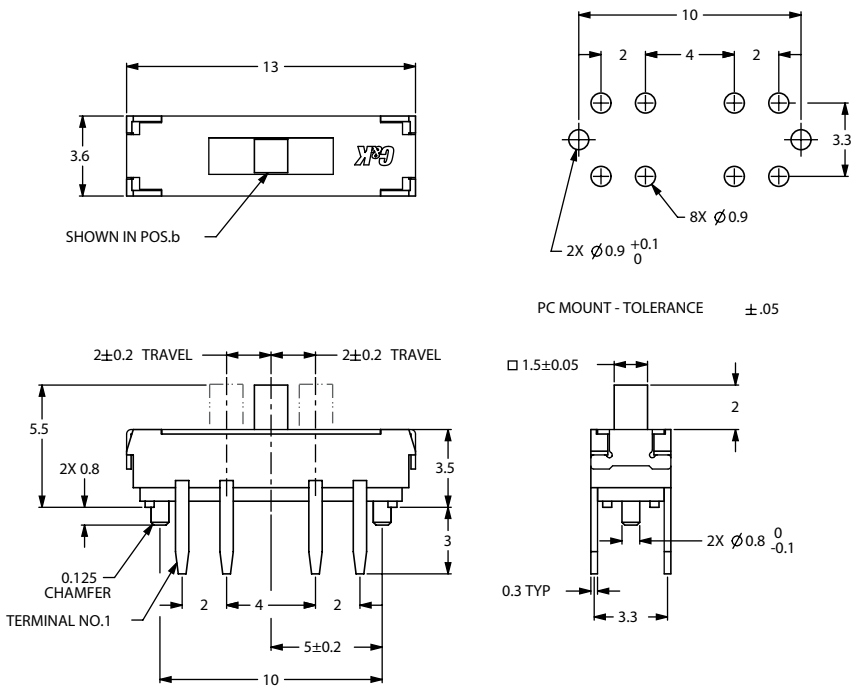
Available in tape & reel only



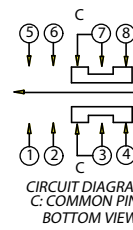
Dimensions are shown: mm  
Specifications and dimensions subject to change

# JS Series Sub-Miniature Slide Switches

## PC THRU-HOLE



PC MOUNT - TOLERANCE ±.05



CIRCUIT DIAGRAM  
C: COMMON PIN  
BOTTOM VIEW

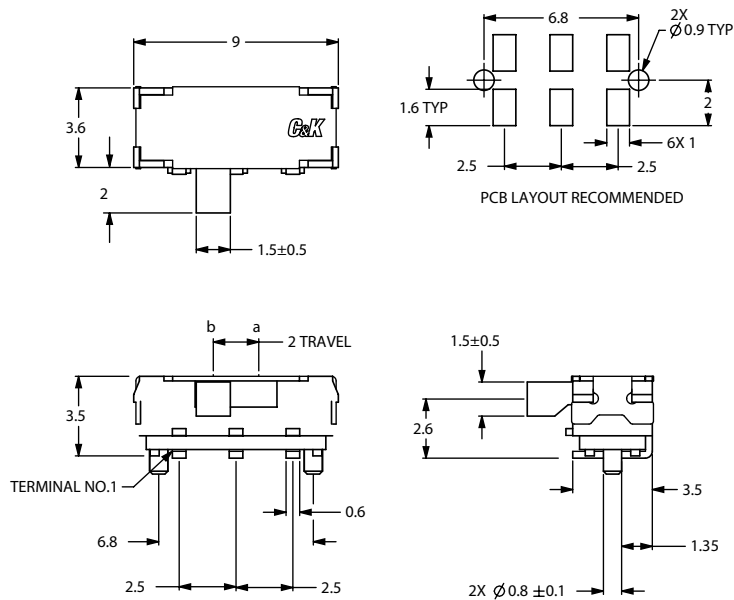
SWITCH FUNCTION		
POS.c	POS.b	POS.a
(MOM)	ON	ON
CONNECTED TERMINALS		
1-3,5-7	2-3,6-7	3-4,7-8



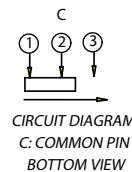
Part Number  
JS207011CQNR  
**DP3T**

Shown in position b

## RIGHT ANGLE SURFACE MOUNT



PCB LAYOUT RECOMMENDED



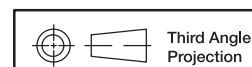
CIRCUIT DIAGRAM  
C: COMMON PIN  
BOTTOM VIEW



Part Number  
JS102011JAQN  
**SPDT**

Shown in position

Available in tape & reel  
only

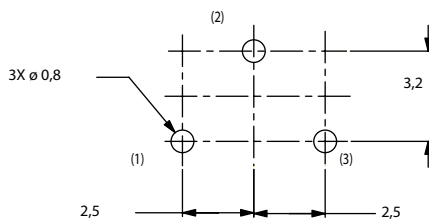
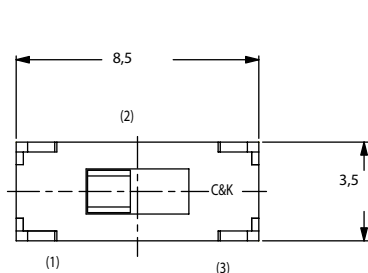


Third Angle  
Projection

Dimensions are shown: mm  
Specifications and dimensions subject to change

# JS Series Sub-Miniature Slide Switches

## VERTICAL MOUNT SMT - J BEND

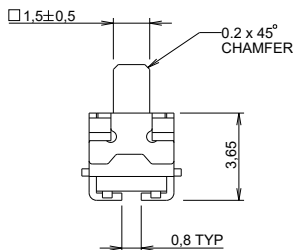
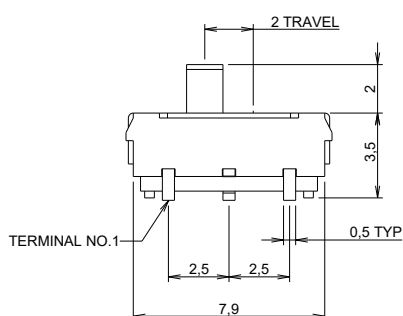


PCB LAYOUT RECOMMENDED

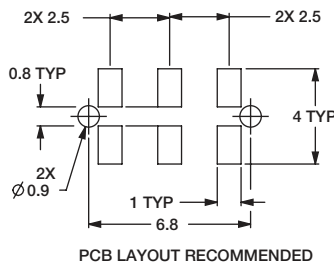
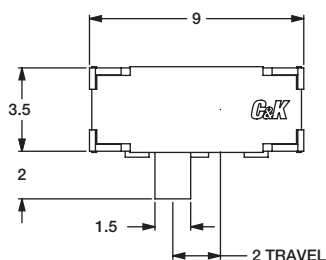


Part Number  
JS102011JCQN  
**SPDT**

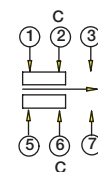
Available in tape & reel  
only



## RIGHT ANGLE SURFACE MOUNT



PCB LAYOUT RECOMMENDED



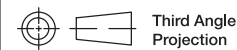
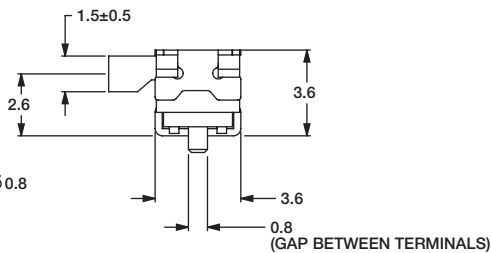
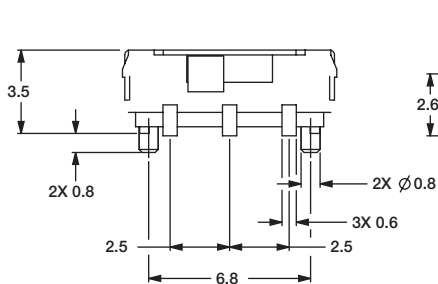
CIRCUIT DIAGRAM  
C: COMMON PIN  
BOTTOM VIEW



Part Number  
JS202011JAQN  
**DPDT**

Shown in position

Available in tape & reel  
only



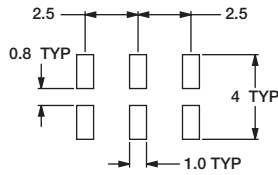
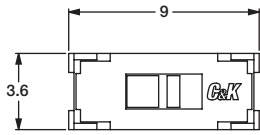
Third Angle  
Projection

Dimensions are shown: mm  
Specifications and dimensions subject to change

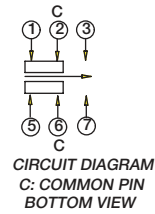


# JS Series Sub-Miniature Slide Switches

## VERTICAL MOUNT SMT - J BEND



PCB LAYOUT RECOMMENDED

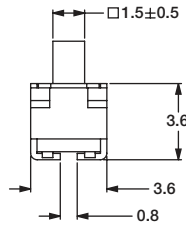
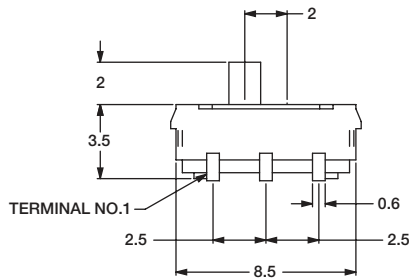


Part Number  
JS202011JCQN

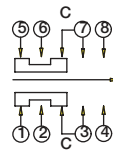
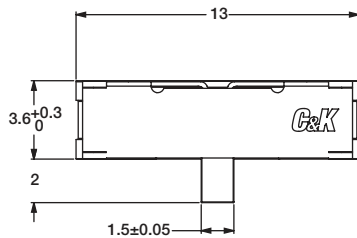
**DPDT**

Shown in position

Available in tape & reel only



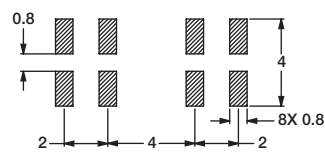
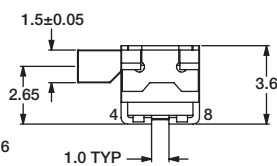
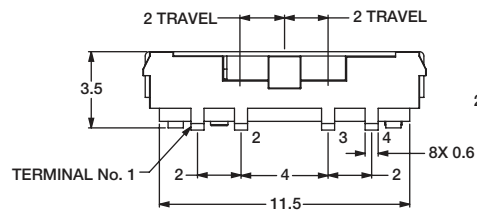
## RIGHT ANGLE MOUNT SMT - J BEND



Part Number  
JS203011JAQN  
**DP3T**

Shown in position

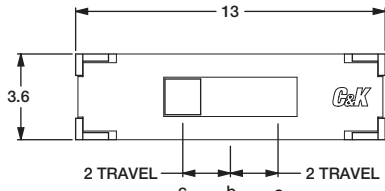
Available in tape & reel only



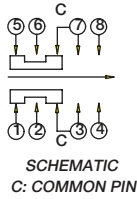
PCB LAYOUT RECOMMENDED

# JS Series Sub-Miniature Slide Switches

## VERTICAL MOUNT SMT - J BEND

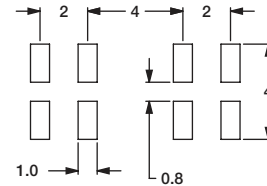
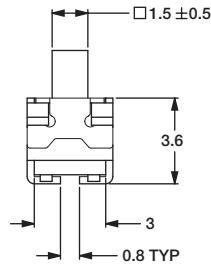
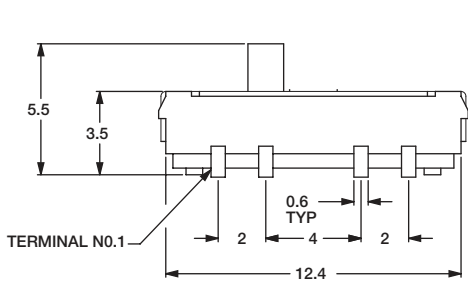


Shown in position c



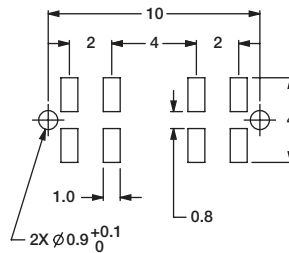
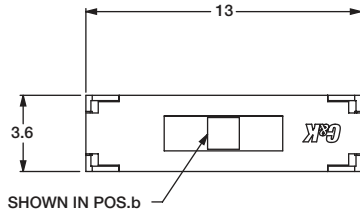
Part Number  
JS203011JCQN  
**DP3T**

Shown in position b  
Available in tape & reel  
only

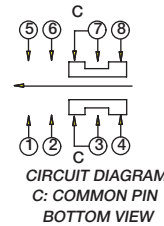


PCB LAYOUT RECOMMENDED

## SURFACE MOUNT - J BEND

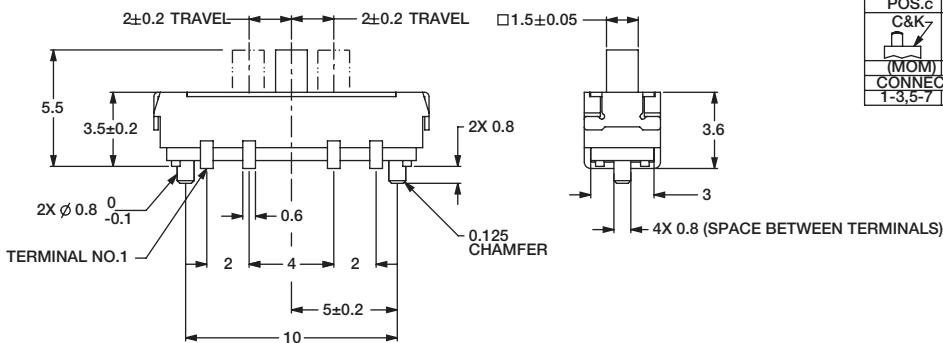


PC MOUNT - TOLERANCE ±.05



Part Number  
JS207011JCQNR  
**DP3T**

Available in tape & reel  
only



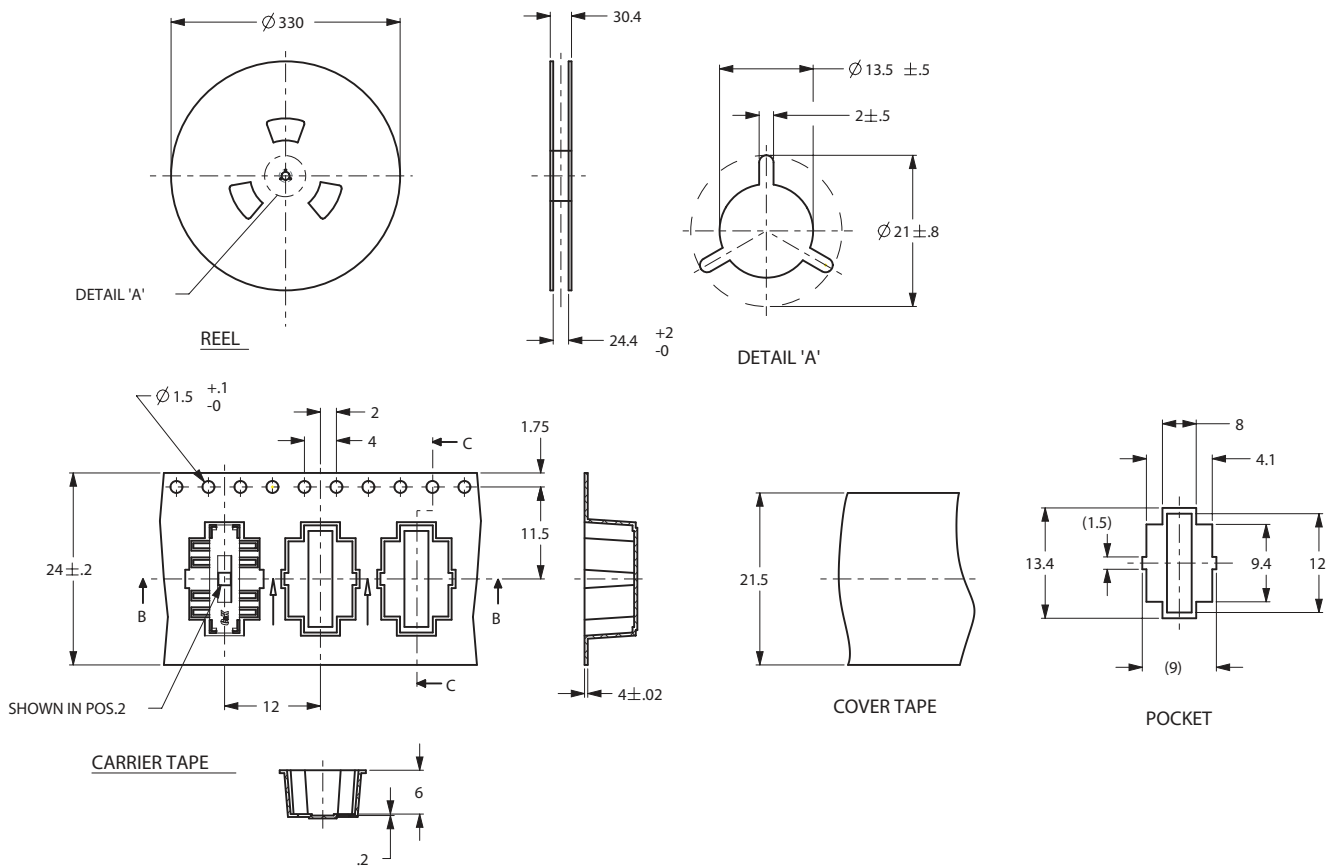
SWITCH FUNCTION		
POS.c	POS.b	POS.a
(MOM)	ON	ON
CONNECTED TERMINALS		
1-3,5-7	2-3,6-7	3-4,7-8

# JS Series Sub-Miniature Slide Switches

**TAPE AND REEL FOR PART NUMBER JS207011SCQNR, JS207011JCQNR**

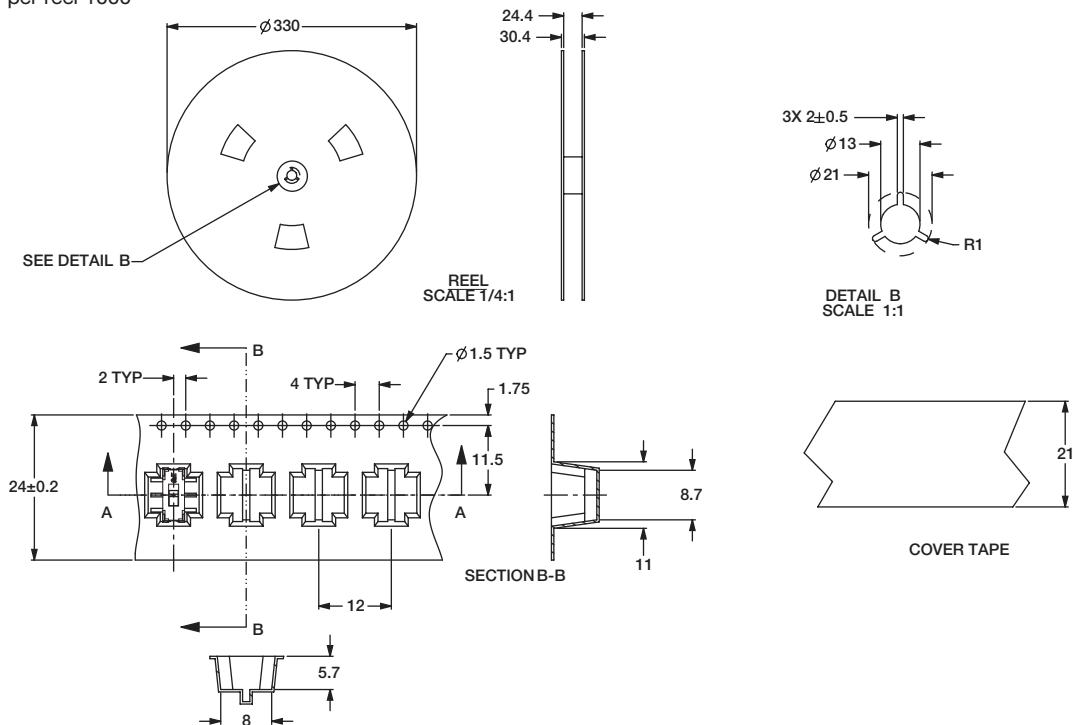
Quantity per reel 800

PACKING DETAIL 800 PCS



**TAPE AND REEL FOR PART NUMBER JS202011SCQN**

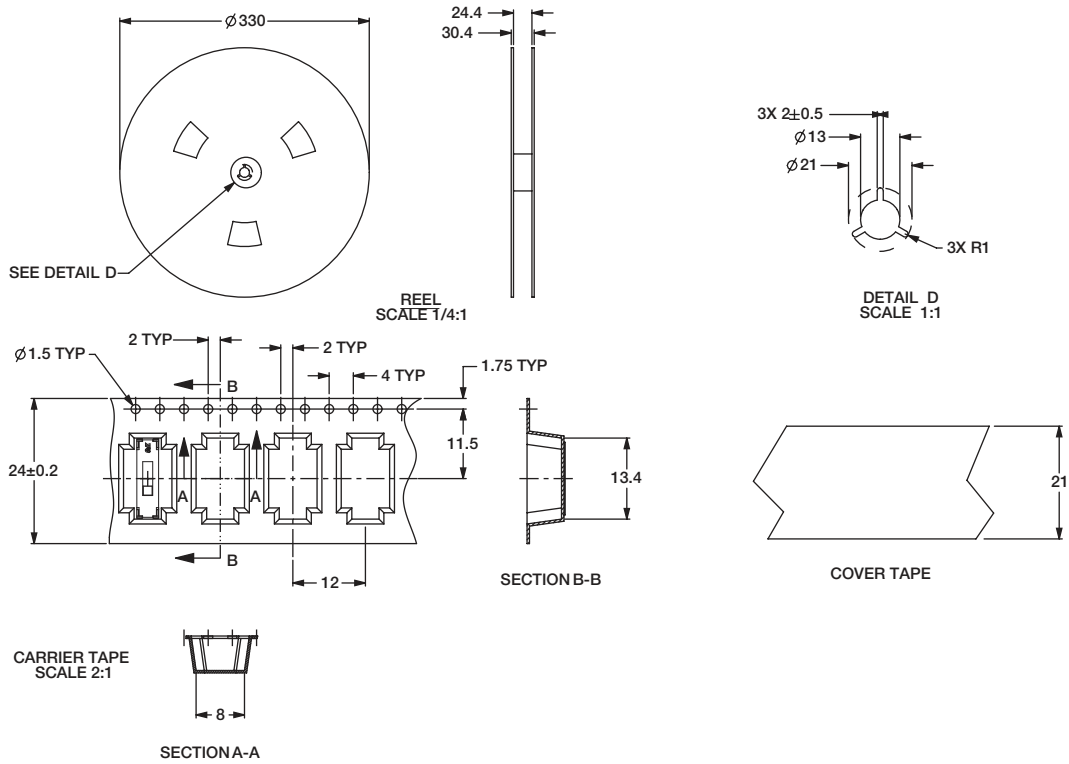
Quantity per reel 1000





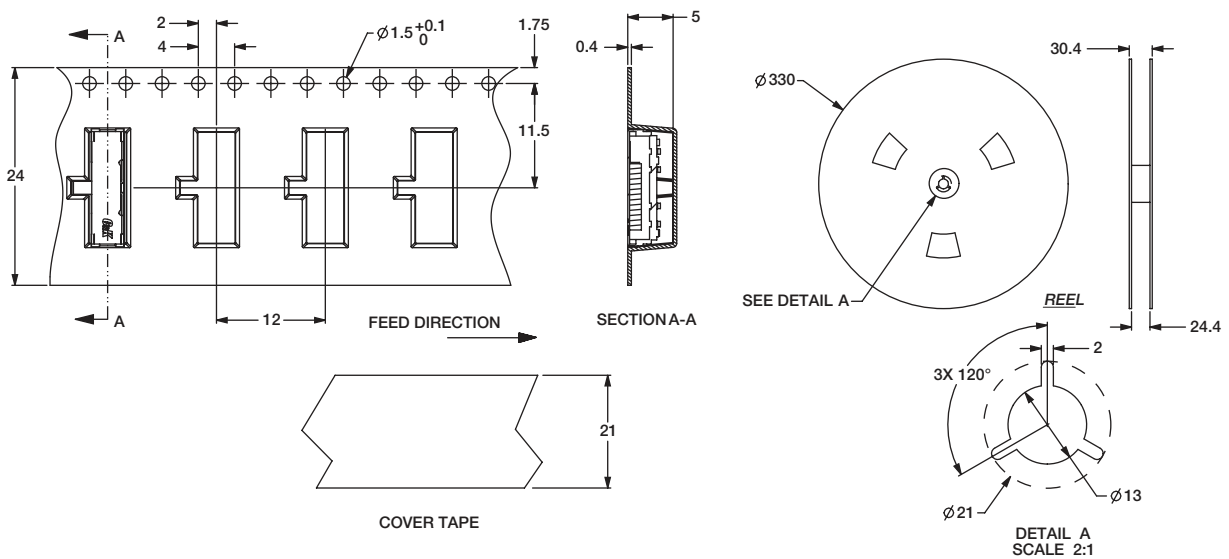
# JS Series Sub-Miniature Slide Switches

**TAPE AND REEL FOR PART NUMBER JS203011SCQN, JS203011JCQN**  
Quantity per reel 900



## TAPE AND REEL FOR PART NUMBER JS203011JAQN

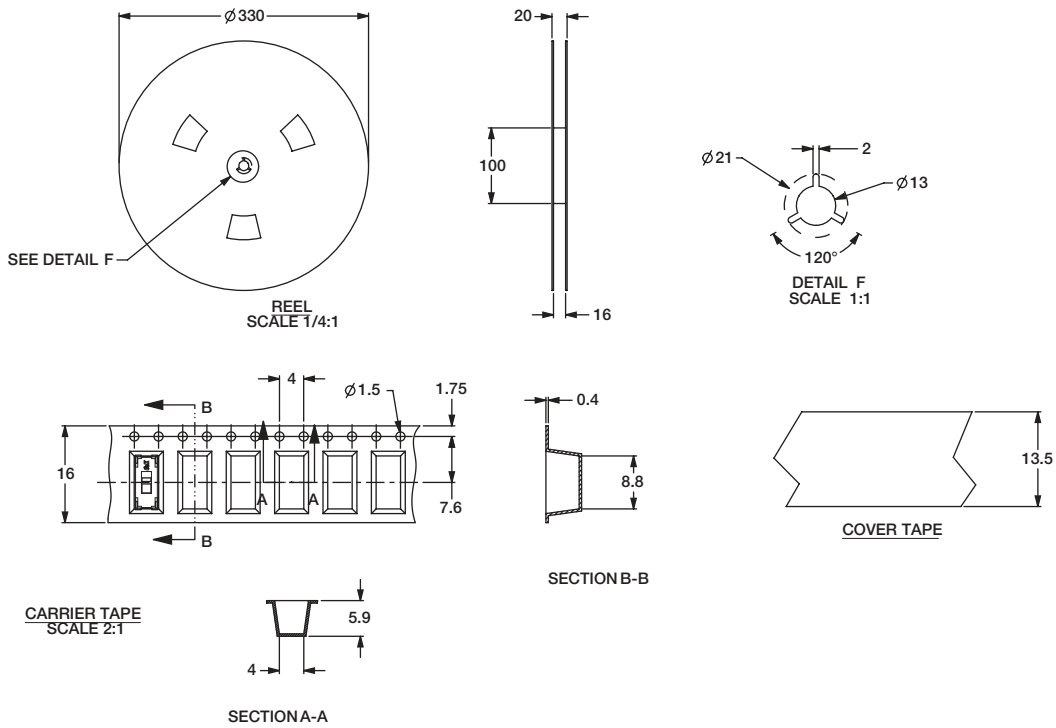
Quantity per reel 1000



# JS Series Sub-Miniature Slide Switches

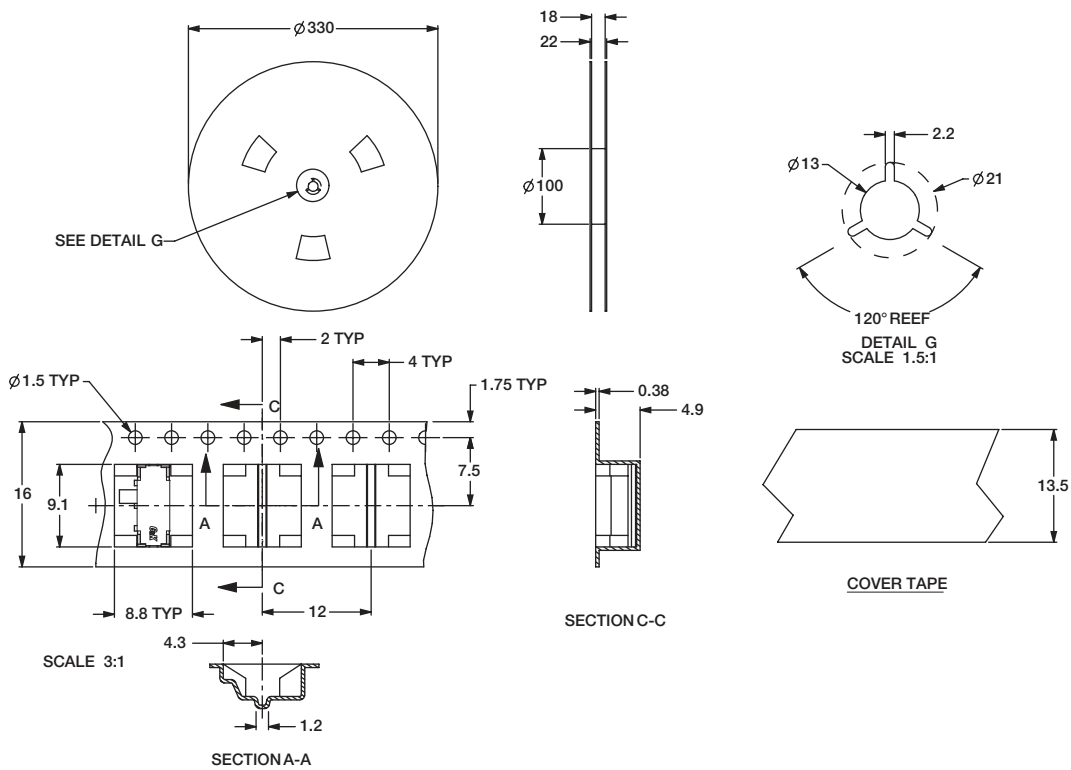
## TAPE AND REEL FOR PART NUMBER JS202011JCQN

Quantity per reel 1300



## TAPE AND REEL FOR PART NUMBER JS202011JAQN

Quantity per reel 1000



# JS Series Sub-Miniature Slide Switches

## RIGHT ANGLE SURFACE MOUNT

LOW PROFILE .028±.004 (0.7±0.1) HIGH



Part Number  
JS102000SAQN  
SPDT

## Specifications

CONTACT RATING: 5 VDC @ 1mA

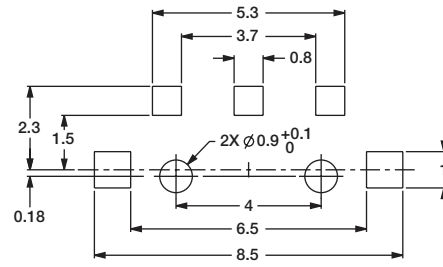
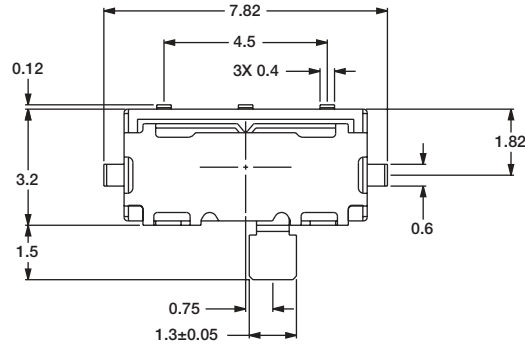
ELECTRICAL LIFE: 15,000 cycles.

CONTACT RESISTANCE: <100 m ohms (initial) <200 m ohms (after processing).

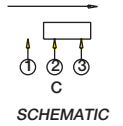
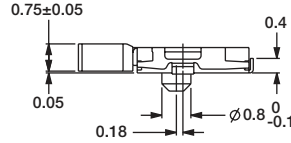
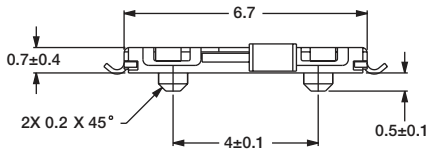
INSULATION RESISTANCE: 100 m ohms @500 VDC.

DIELECTRIC STRENGTH: 250 VAC.

OPERATING TEMPERATURE: -40°C to +85°C



RECOMMENDED PC MOUNTING



## TAPE AND REEL FOR PART NUMBER JS102000SAQN

Quantity per reel 4000

