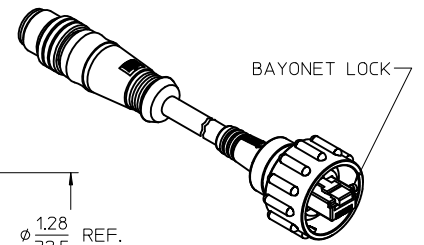
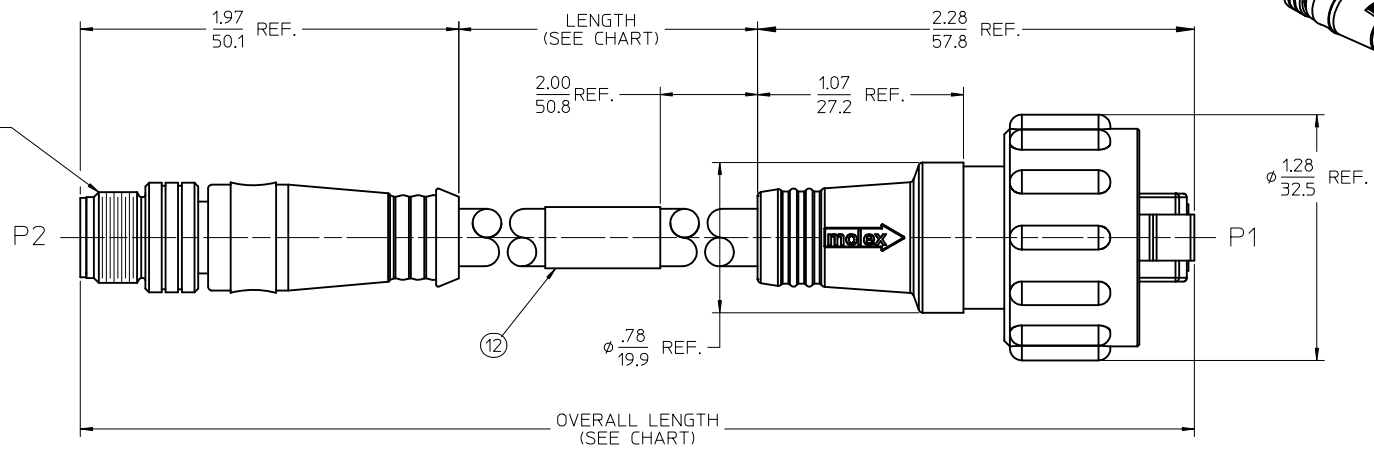


MATERIAL NO.	FINISHED LENGTH	REF. OVERALL LENGTH
1300470033	3'3" +2.19"-0 [ 1M +55.6mm-0 ]	3' 8" [ 1.11M ]
1300470034	6'7" +3.50"-0 [ 2M +88.9mm-0 ]	6' 11" [ 2.11M ]

AUX. VIEW  
SCALE 1:1

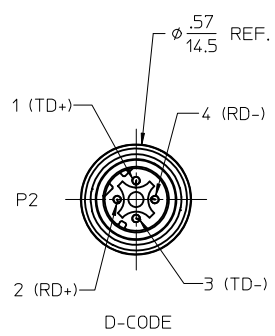


BAYONET LOCK

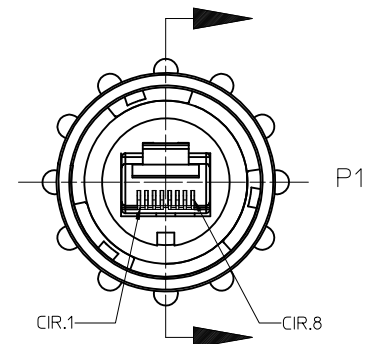
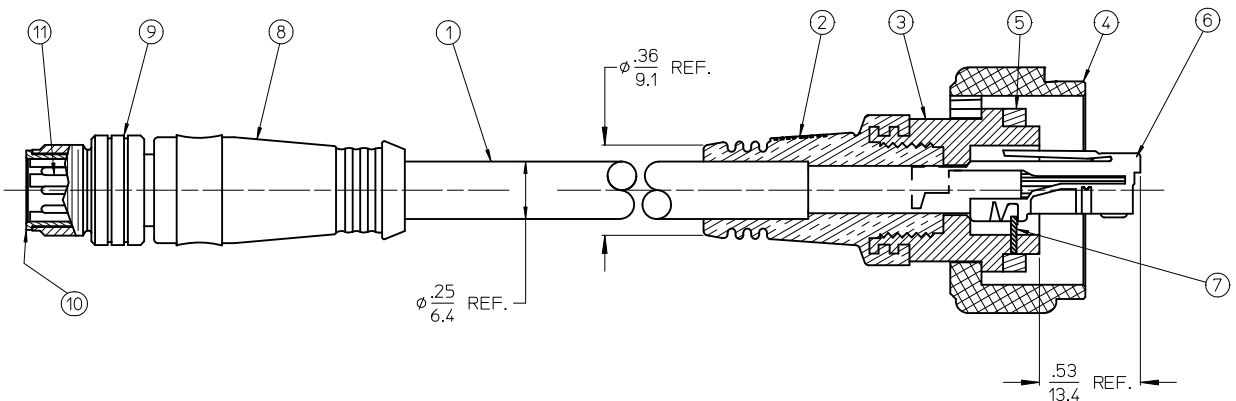


WIRING DIAGRAM

P2		P1
1	ORANGE	1
2	GREEN	3
3	WHITE/ORANGE	2
4	WHITE/GREEN	6



D-CODE



- NOTES:
1. MATERIAL: SEE TABLE
  2. FINISHES: SEE TABLE
  3. MATES WITH STANDARD & BAYONET STYLE RJ-45 JACK ASSEMBLIES
  4. ELECTRICAL SPECIFICATIONS:  
MAX VOLTAGE: 125, MAX CURRENT: 1.5 AMPS
  5. OPERATING TEMP: 13°F TO 167°F (-25°C TO 75°C)
  6. PROTECTION: IP67
  7. ASSEMBLY IS RoHS COMPLIANT.

ITEM	QTY	DESCRIPTION	MATERIAL	FINISH
12	1	WRAP LABEL	PLASTIC FILM	BLACK/YELLOW
11	4	CONTACT	COPPER ALLOY	GOLD PLATED
10	1	4/C INSULATOR	PUR	BLACK
9	1	M12 COUPLING	BRASS	NICKEL PLATED
8	1	M12 PLUG OVERMOLD (P2)	PUR	BLACK
7	1	WEDGE	POLYESTER	BLACK
6	1	RJ-45 PLUG, SHEILDDED	PER VENDOR SPEC.	GOLD PL. CONTACTS
5	1	GASKET SEAL	NITRILE	BLACK
4	1	RJ-45 COUPLING RING	POLYESTER	BLACK
3	1	RJ-45 HOLDER	POLYESTER	BLACK
2	1	OVERMOLD BODY (P1)	PVC	BLACK
1	1	CABLE, UTP, 2P, 24 AWG, CAT 5E	TPE JACKET	TEAL

RELEASED EC NO: WNA2010-0555 DRWNLHARTMANN 2010/03/10 CHKDRSTONE 2010/03/10 APPR:JFMURPHY 2010/04/21	QUALITY SYMBOLS ▽=0 ▽=0	GENERAL TOLERANCES (UNLESS SPECIFIED)		DIMENSION STYLE IN/MM		SCALE	DESIGN UNITS	THIRD ANGLE PROJECTION	
		4 PLACES ± --- ± --- 3 PLACES ± --- ± .005 2 PLACES ± .13 ± .010 1 PLACE ± 0.25 ± .020 ANGULAR ± 1/2°	mm INCH	DRAWN BY LHARTMANN	DATE 2010/03/10	TITLE	INCH	CORD ASSEMBLY, RJ-45 MALE BAYONET TO MIC-CHG MALE D-CODE	
DRAFT WHERE APPLICABLE MUST REMAIN WITHIN DIMENSIONS		APPROVED BY JFMURPHY		DATE 2010/04/21		MOLEX INCORPORATED			
SEE CHART		MATERIAL NO. SD-130047-003		DOCUMENT NO.		SHEET NO. 1 OF 1			
THIS DRAWING CONTAINS INFORMATION THAT IS PROPRIETARY TO MOLEX INCORPORATED AND SHOULD NOT BE USED WITHOUT WRITTEN PERMISSION									