



Sealing plug for unused control points, 22 mm, plastic sand gray

product brand name	SIRIUS ACT	
product designation	Sealing plug	
product type designation	3SU1	
Actuator		
shape of the actuating element	round	
outer diameter of the actuating element	29.5 mm	
General technical data		
protection class IP	IP66, IP67, IP69(IP69K)	
degree of protection NEMA rating	1, 2, 3, 3R, 4, 4X, 12	
reference code according to IEC 81346-2	S	
Substance Prohibitance (Date)	10/01/2014	
Ambient conditions		
ambient temperature	70 ... -25 °C	
• during operation		
• during storage and transport	-40 ... +80 °C	
environmental category during operation according to IEC 60721	3M6, 3S2, 3B2, 3C3, 3K6 (with relative air humidity of 10 ... 95%)	
Installation/ mounting/ dimensions		
shape of the installation opening	round	
mounting diameter	22.3 mm	
positive tolerance of installation diameter	0.4 mm	
mounting height	6.5 mm	
installation width	29.5 mm	
installation depth	24.2 mm	
Accessories		
material of accessory	Plastic	
color of accessory	sand gray	
Certificates/ approvals		
General Product Approval	Declaration of Conformity	Test Certificates

[Confirmation](#)



[Type Test Certificates/Test Report](#)

[Special Test Certificate](#)

Marine / Shipping

other



[Confirmation](#)

Further information

Information- and Downloadcenter (Catalogs, Brochures,...)

<https://www.siemens.com/ic10>

Industry Mall (Online ordering system)

<https://mall.industry.siemens.com/mall/en/en/Catalog/product?mlfb=3SU1930-0FA80-0AA0>

Cax online generator

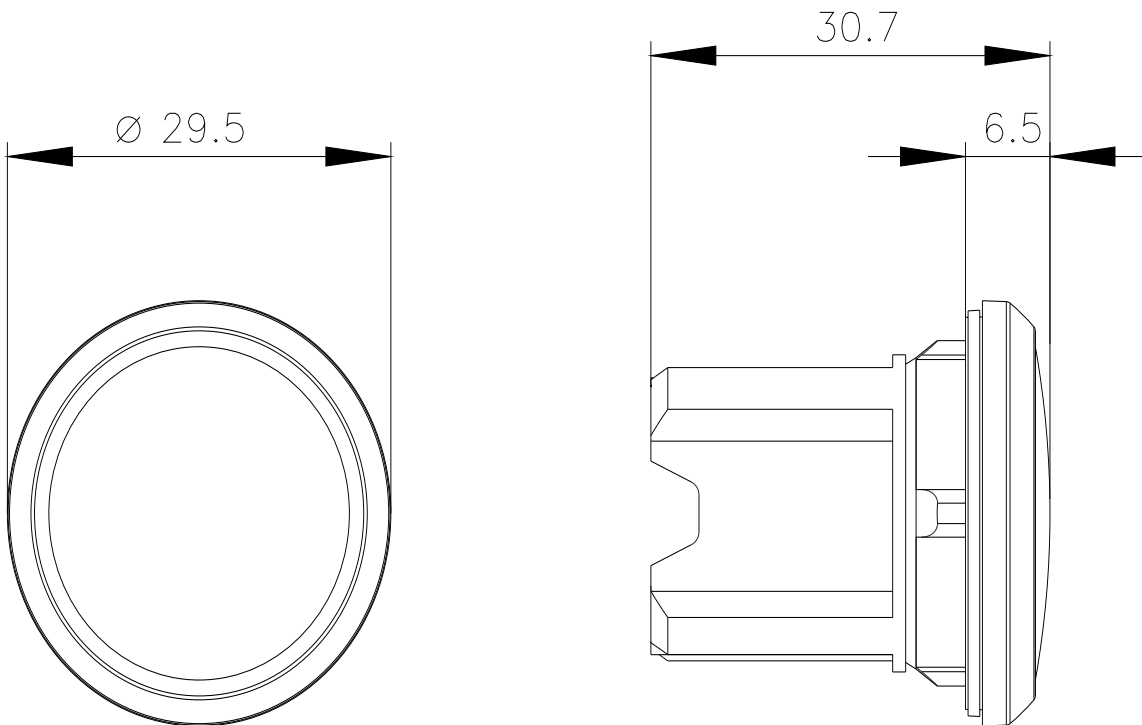
<http://support.automation.siemens.com/WW/CAXorder/default.aspx?lang=en&mlfb=3SU1930-0FA80-0AA0>

Service&Support (Manuals, Certificates, Characteristics, FAQs,...)

<https://support.industry.siemens.com/cs/ww/en/ps/3SU1930-0FA80-0AA0>

Image database (product images, 2D dimension drawings, 3D models, device circuit diagrams, EPLAN macros, ...)

http://www.automation.siemens.com/bilddb/cax_de.aspx?mlfb=3SU1930-0FA80-0AA0&lang=en



last modified:

4/4/2022