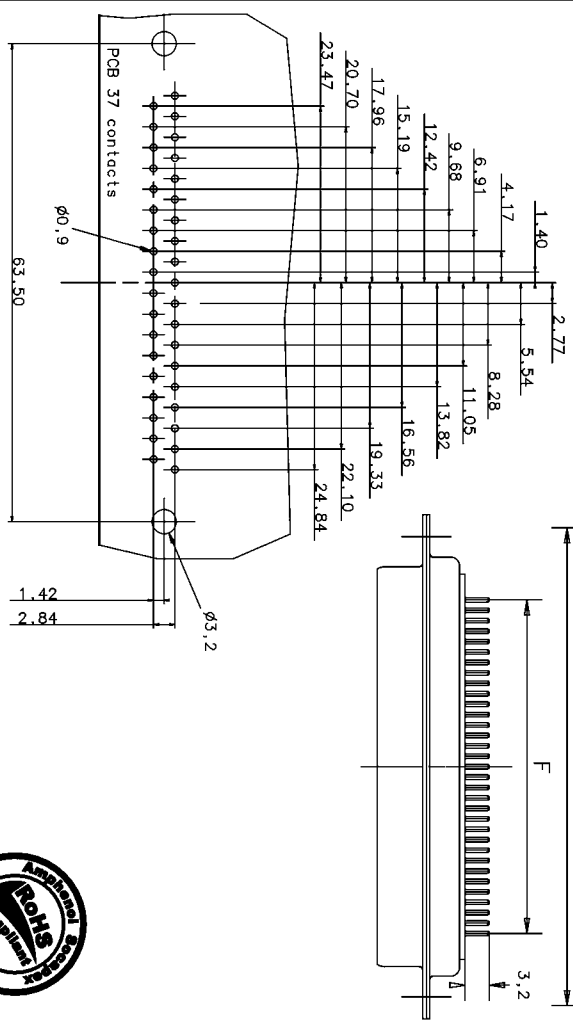
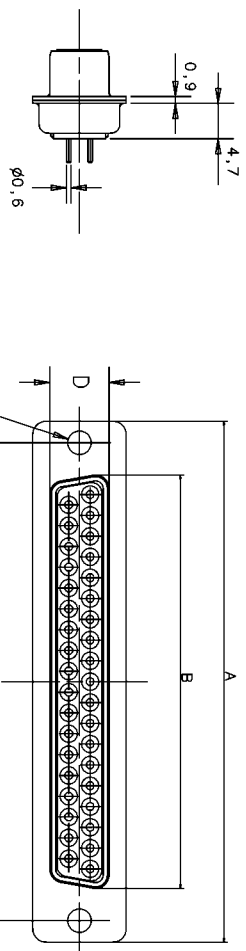
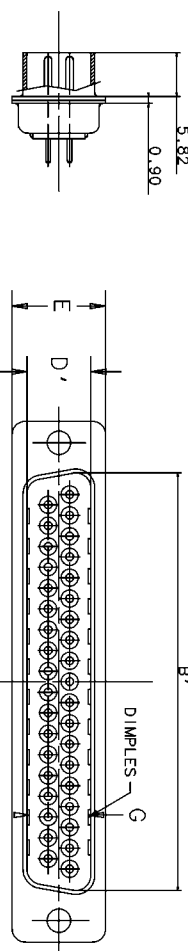


# TECHNICAL DATA

'' D '' SUBMINIATURE CONNECTORS



SHELL : Steel.

BODY : Glass filled thermoplastic.  
Flame retardant to UL 94 V-0.  
Colour : Black.

CONTACTS : Material for sockets : bronze.  
Material for pins : brass.  
Finish of contact mating area : Gold over Nickel.

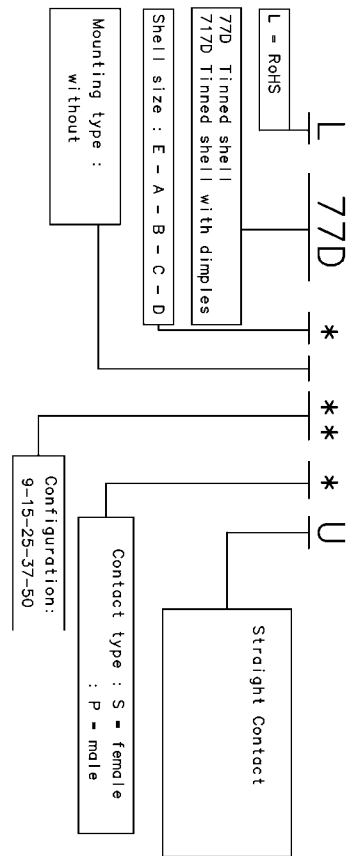
ELECTRICAL : Voltage rating 300 V eff at 50Hz.  
Nominal current 7,5 A.

Contact resistance <8.5m Ohms.  
Insulation resistance >5000 M Ohms.

CLIMATIC : Temperature range -55°C up to +85° C  
Damp heat 21 days (40° C - 95 % RH)  
Other climatic specifications in accordance with NF C 93-425

MECHANICAL : Mating and unmating force size

E	30 N max.	3,5 N mini.
A	50 N max.	4,4 N mini.
B	83 N max.	8,0 N mini.
C	123 N max.	11,0 N mini.
D	166 N max.	14,5 N mini.



Foille feuille	A	B'	B	C	D'	D	E	F ±0,05	Pqs	G	*
E	30,43	16,41	17,94	25,12	8,93	8,48	12,93	10,98	2,74	7,62	2x3
A	38,76	24,79	25,32	33,20	9,93	8,48	12,93	19,20	2,74	7,62	2x5
B	53,45	38,25	38,84	46,91	9,93	8,48	12,93	33,12	2,76	7,62	2x8
C	68,94	54,97	55,50	63,57	9,93	8,48	12,93	49,68	2,76	7,62	2x12
D	86,31	82,50	82,88	80,29	10,82	10,33	14,59	44,20	2,76	10,5	2x12

IND. MODIFICATION	DATE	Executif	Approuv
017F	08/01	Valiak	
DESIGNATION			
L * * 7D * * * * U			
Amphenol Socapex			
Usine de Dole			
Echelle 2			
ENDEMBLE			
DOSSIER: NOTICE-17D			

COMMUNICATION ET UTILISATION INTERDITES SAUF AUTORISATION