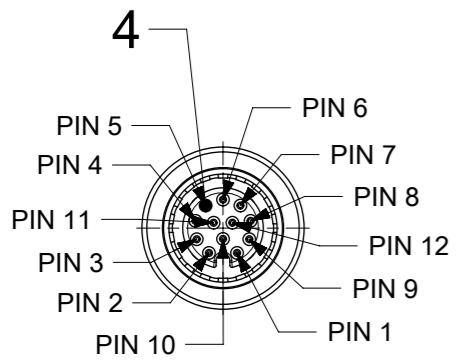
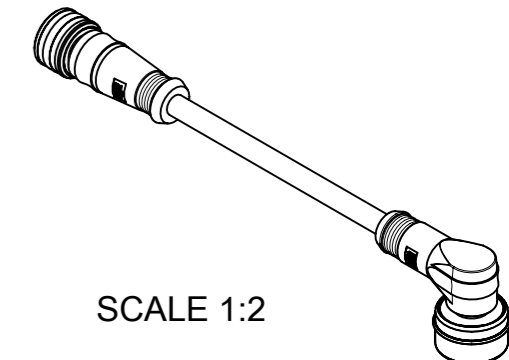
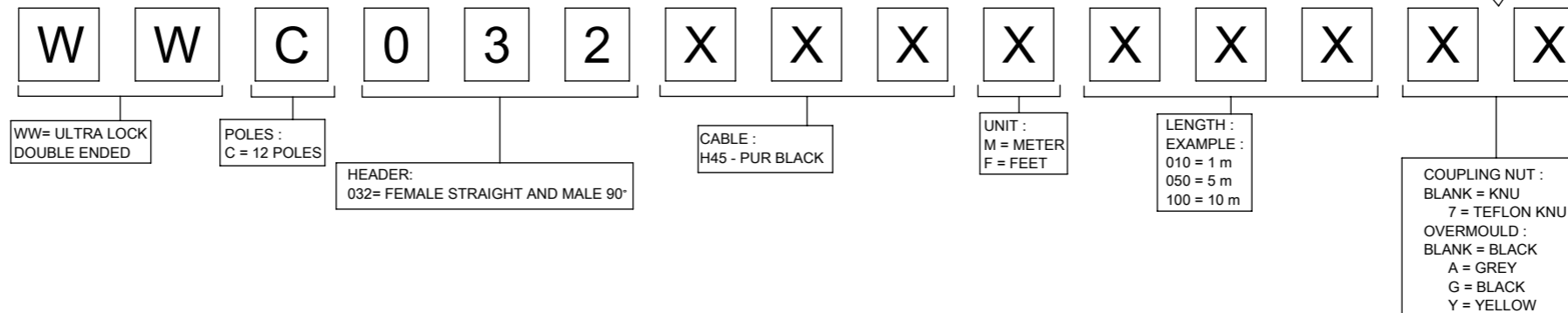


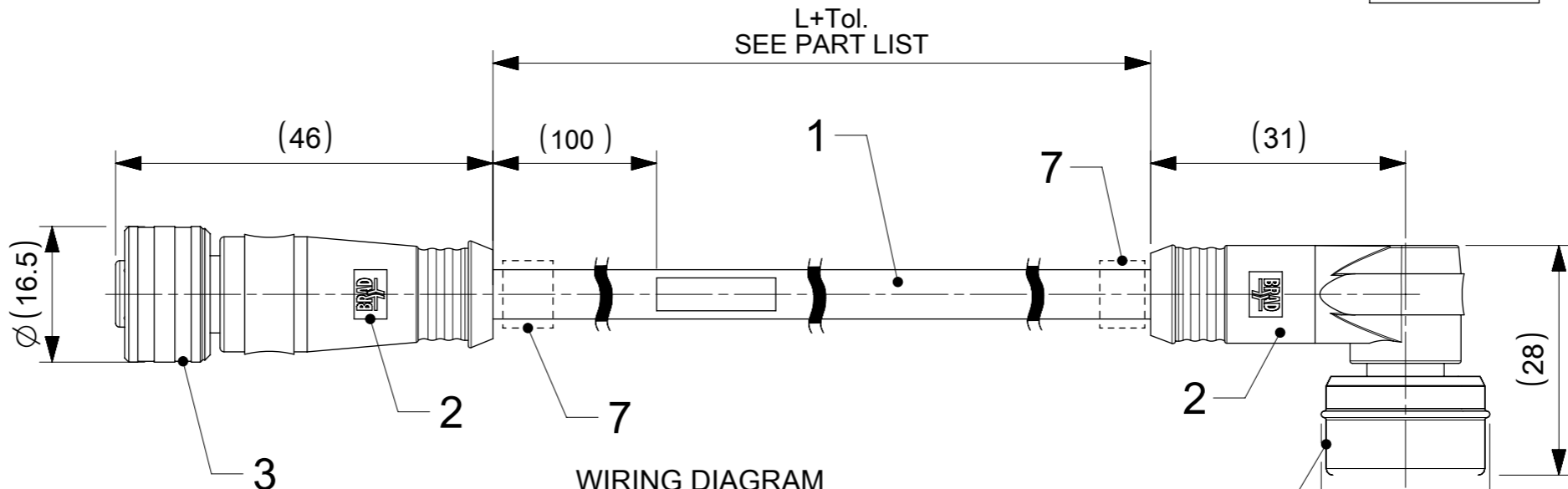
NOTES :

RATED VOLTAGE : 30V AC/DC
 RATED CURRENT : 1.5 Amps
 CONTACT RESISTANCE : <5 mOhm
 IP RATING : IP67
 TEMPERATURE RANGE : -25°C TO +90°C

PART No MATRIX

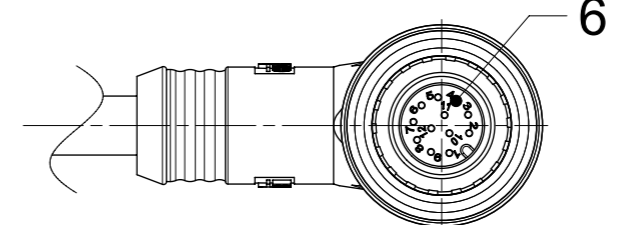


VIEW FROM THE FRONT SIDE



WIRING DIAGRAM

| | | |
|--------|-------|--------|
| PIN 1 | WH | PIN 1 |
| PIN 2 | BN | PIN 2 |
| PIN 3 | GN | PIN 3 |
| PIN 4 | YE | PIN 4 |
| PIN 5 | GY | PIN 5 |
| PIN 6 | PK | PIN 6 |
| PIN 7 | BU | PIN 7 |
| PIN 8 | RD | PIN 8 |
| PIN 9 | BK | PIN 9 |
| PIN 10 | VT | PIN 10 |
| PIN 11 | GY/PK | PIN 11 |
| PIN 12 | RD/BU | PIN 12 |



VIEW FROM THE FRONT SIDE

BOM

| ITEM | QTY | DESCRIPTION | MATERIAL | COLOR/FINISH |
|------|-----|---------------------------|----------|-------------------|
| 7 | 2 | I/D CARRIER | - | - |
| 6 | 12 | MALE CONTACT | BRASS | Au OVER Ni-PLATED |
| 5 | 1 | MALE ULTRALOCK ASSEMBLY | - | - |
| 4 | 12 | FEMALE CONTACT | BRASS | Au OVER Ni-PLATED |
| 3 | 1 | FEMALE ULTRALOCK ASSEMBLY | - | - |
| 2 | - | OVERMOULD | TPU | BLACK |
| 1 | - | CABLE | PUR | BLACK |

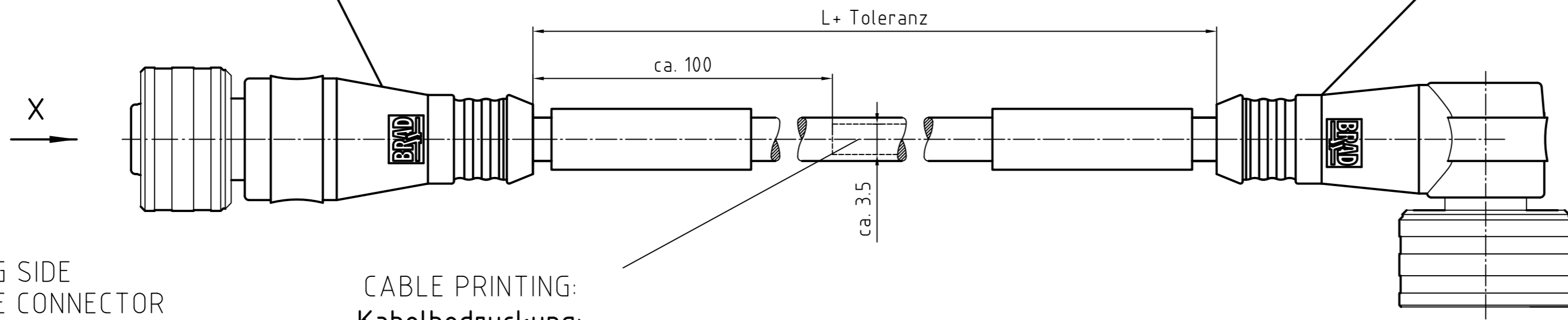
PART LIST

| MOLEX P/N | ENG No. | L+Tol[mm] |
|------------|---------------|-------------|
| 1200805090 | WWC032H45M010 | 1000+20/-10 |
| 1200808047 | WWC032H45M020 | 2000±25 |

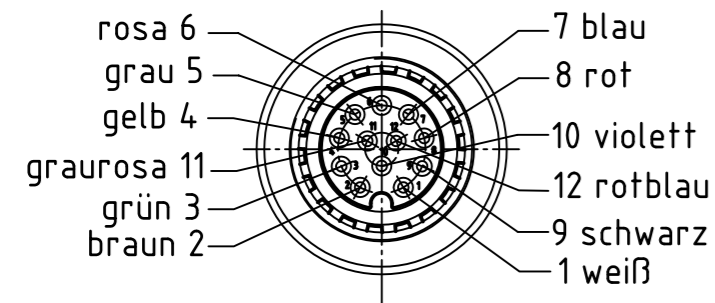
| | | | | | | | | | | |
|--|---|--|---|----------------|--------------------------------|--------------------------|-----------------------------|---------------|---------------|-------------|
| FUNCTIONAL SYMBOLS $\nabla/A = 0$ $\nabla/E = 0$ $\nabla/V = 0$ | THIS DRAWING CONTAINS INFORMATION THAT IS PROPRIETARY TO MOLEX ELECTRONIC TECHNOLOGIES, LLC AND SHOULD NOT BE USED WITHOUT WRITTEN PERMISSION | SCALE: 2:1 | CURRENT REV DESC: | | | | | | | |
| | DIMENSION UNITS: mm | GENERAL TOLERANCES (UNLESS SPECIFIED): | EC NO: 700705 DRWN: SSM CHK'D: RSILLER APPR: RSILLER | | | | | | | |
| | ANGULAR TOL: ± 1.0° | 4 PLACES ± | EC NO: 700705 DRWN: SSM CHK'D: RSILLER APPR: RSILLER | | | | | | | |
| | 3 PLACES ± | 2 PLACES ± 0.05 | EC NO: 700705 DRWN: SSM CHK'D: RSILLER APPR: RSILLER | | | | | | | |
| DIVISIONAL SYMBOLS | 1 PLACE ± 0.3 | 0 PLACES ± 0.5 | EC NO: 700705 DRWN: SSM CHK'D: RSILLER APPR: RSILLER | | | | | | | |
| DRAFT WHERE APPLICABLE MUST REMAIN WITHIN DIMENSIONS | | THIRD ANGLE PROJECTION | DRAWING: A3-SIZE | SERIES: 120080 | MATERIAL NUMBER: SEE PART LIST | CUSTOMER: GENERAL MARKET | DOCUMENT NUMBER: 1200805090 | DOC TYPE: PSD | DOC PART: 000 | REVISION: A |

OVERMOLD PUR SEE TABLE
Umspritzung PUR siehe Tabelle

OVERMOLD PUR SEE TABLE
Umspritzung PUR siehe Tabelle

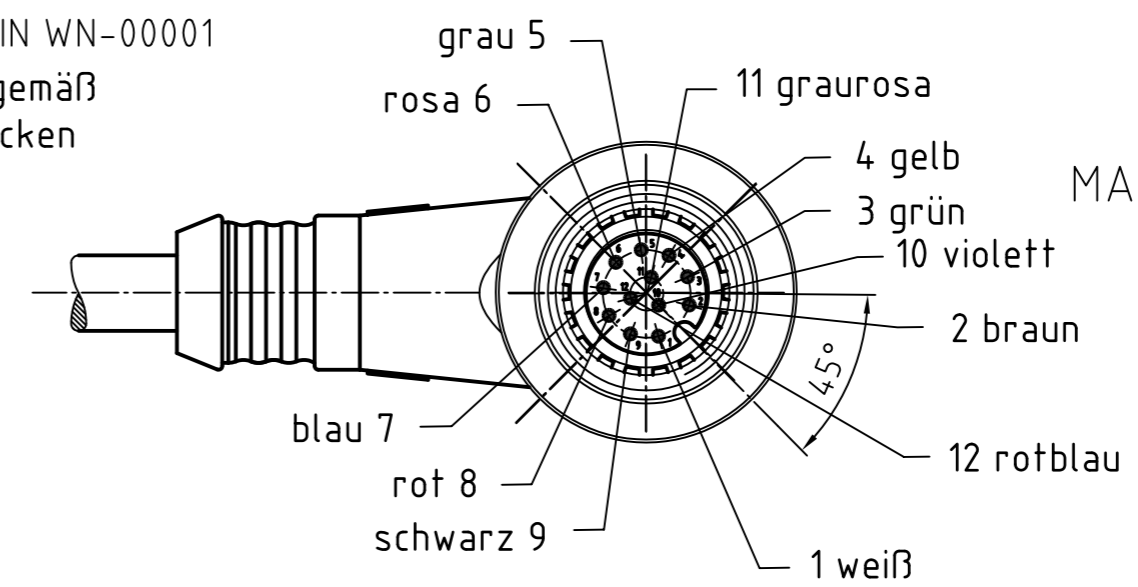


MATING SIDE
FEMALE CABLE CONNECTOR
Ansicht X
Steckseite
Kabeldose U-Lock
12-Pol



CABLE PRINTING:
Kabelbedruckung:
Woodhead Connectivity GmbH WWC032H45MXXX

PROD. DATE AS DEFINED IN WN-00001
Fertigungsdatum gemäß
WN-00001 aufdrucken



MATING SIDE
MALE CABLE CONNECTOR
Steckseite
Kabelstecker U-Lock
12-Pol

| | | | |
|---|---|---|-----------------------------------|
| Allgemeine Kennwerte General Characteristics | | Norm Standard | |
| Polzahl Kontaktanordnung | Number of contacts Contact configuration | IEC 947-5-2 | 12 |
| Bemessungsspannung | Rated Voltage | IEC 664 | 30V AC / DC |
| Verschmutzungsgrad | Pollution Degree | IEC 664 | 3 |
| Betriebsstrom | Current carrying capacity | IEC 512-3 Test 5 b | 1,5A |
| Durchgangswiderstand | Contact Resistance | IEC 512-2 Test 2 a | < 5m0hm |
| Bemessungsstoßspannung | Rated Impulse Withstand Voltage | IEC 664 | 0,8 kV |
| Prüfspannung | Test Voltage | IEC 60512-2 Test 4 A | 0,5 kV / 60 sec |
| Isolationswiderstand | Insulation Resistance | IEC 512-2 Test 3 A | > 100 M0hm |
| IP-Schutzart | IP Degree of Protection | IEC 529 | IP 67 |
| Stiftdurchmesser | Pin Diameter | | 0,6 mm |
| Werkstoffe | Kontakte | Materials | Kupferlegierung / copper alloy |
| | Kontaktfläche | | Au/Ni |
| | Kontaktträger | | PUR |
| | Gehäuse (Umspritzung) | | PUR |
| | Dichtung (O-Ring) | | VITON |
| Schiebehülse | | CuZn (brass) mit Ni-Oberfläche Nickel Plated | |
| Anschlussart | Termination | | Crimp |
| Brennbarkeit | Kontaktträger | Flammfähigkeit | HB |
| | Gehäuse (Umspritzung) | | HB |
| | Leitung / Kabel | | DIN EN265-2-1/UL1581-VW1-Page 95A |
| Mechanische Lebensdauer | Mechanical Operation | | 100 Steckzyklen/Mating Cycles |
| Temperaturbereich | Temperature Range | IEC 60668-1 | -25°C / +90°C |

| SAP-Nummer | Engineering Nr.: | Umspritzungsfarbe | L-Länge |
|------------|------------------|-------------------|---------|
| SAP-Number | | Overmold Color | Length |
| 1200805090 | WWC032H45M010 | yellow | 1M |

| Toleranzen Maß L: sichtbare Kabellänge bei M8, M12 und M12U | |
|--|--------------|
| von 0 bis 0.6 m: | ±10 mm |
| über 0.6 bis 1 m: | +30 / -10 mm |
| über 1 bis 5 m: | ±25 mm |
| über 5 bis 20 m: | ±30 mm |
| über 20 m: | ±50 mm |

| | |
|---|--|
| BU/ BLUE WH/ WHITE GN/ GREEN GY/ GREY PK/ PINK YE/ YELLOW RD/ RED BK/ BLACK VT/ VIOLET BN/ BROWN | bl/blau ws/weiß gn/grün gr/grau rs/rosa ge/gelb rt/rot sw/schwarz vi/violett bn/braun |
|---|--|

(...) Dim. for information
(...) Informationsmaß

| | | | | | | |
|---|-----------------|--|--|-------------------------------------|--------------|------------------------|
| DESCRIPTION EC NO: WEU2010-0435 DRWN: LSTEMMLE 2010/03/17 CHKD: NS APPR: FPACHER 2010/03/19 | QUALITY SYMBOLS | GENERAL TOLERANCES (UNLESS SPECIFIED) | DIMENSION STYLE | SCALE | DESIGN UNITS | FIRST ANGLE PROJECTION |
| | ▽ = 0 ◊ = 0 | mm INCH | MM ONLY | 2:1 | METRIC | |
| | | 4 PLACES ±--- ±--- 3 PLACES ±--- ±--- 2 PLACES ±0.05 ±--- 1 PLACE ±0.1 ±--- | DRAWN BY DATE LSTEMMLE 2010/03/17 CHECKED BY DATE NS 2010/03/18 APPROVED BY DATE FPACHER 2010/03/18 | M12U-12P-FE-STR-M-90 PUR/0.14-XM | | |
| | | ANGULAR ± --- ° | MATERIAL NO. DOCUMENT NO. | MOLEX INCORPORATED | | |
| 1 | REV | DRAFT WHERE APPLICABLE MUST REMAIN WITHIN DIMENSIONS | SIZE A2 | SD-120080-051 | | SHEET NO. 1 OF 1 |
| THIS DRAWING CONTAINS INFORMATION THAT IS PROPRIETARY TO MOLEX INCORPORATED AND SHOULD NOT BE USED WITHOUT WRITTEN PERMISSION | | | | | | |