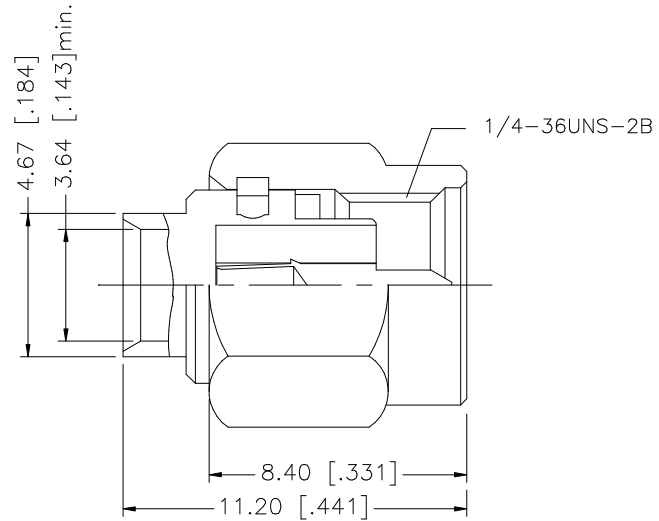
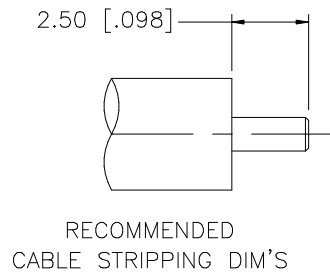


REV.	DATE	DESCRIPTION
A	04/31/03	UPDATE DRAWING FORMAT
B	03/21/04	ADD MAIN BODY X-SECTION VIEW



8					UNLESS OTHERWISE SPECIFIED DIMENSIONS ARE IN MILLIMETERS. DIMENSIONS IN [ ] ARE IN INCHES AND FOR CUSTOMER REFERENCE ONLY.	APPROVALS	DATE	<b>Amphenol Connex</b>						
7						DRAWN	G.R.S.					03/21/04		
6					UNLESS OTHERWISE SPECIFIED TOLERANCES FOR MILLIMETERS ARE: 0.5 - 8mm ± 0.20mm 8 - 30mm ± 0.40mm 30 - 120mm ± 0.50mm	CHECKED		PART DESCRIPTION						
5						ISSUED			SMA DIRECT SOLDER PLUG (FOR .141" SEMI-RIGID CABLE)					
4					UNLESS OTHERWISE SPECIFIED TOLERANCES FOR INCHES ARE: .020 - .315 = ± 0.007" .315 - 1.180 = ± 0.015" 1.180 - 4.724 = ± 0.020"	SHEET	1 OF 1	PART NO.						
3	CONTACT PIN	BER. COPPER	GOLD	1					132290					
2	INSULATOR	TEFLON	NATURAL	1				DWG. NO.						
1	BODY	BRASS	GOLD	1				132290.DWG						
	DESCRIPTION	MATERIAL	FINISH	QTY	DO NOT SCALE DRAWING	CAD FILE		C:/132/132290.DWG	REV.	B	SIZE	A	SCALE	NA