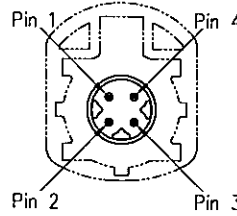
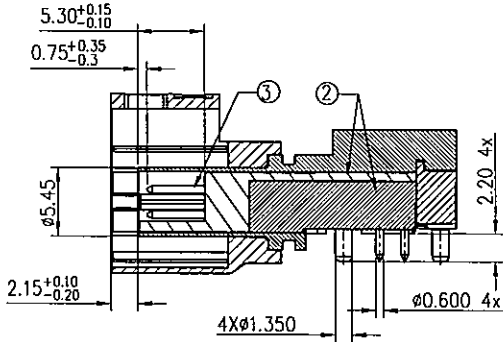
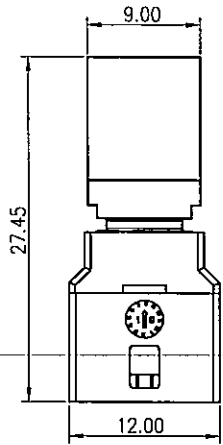


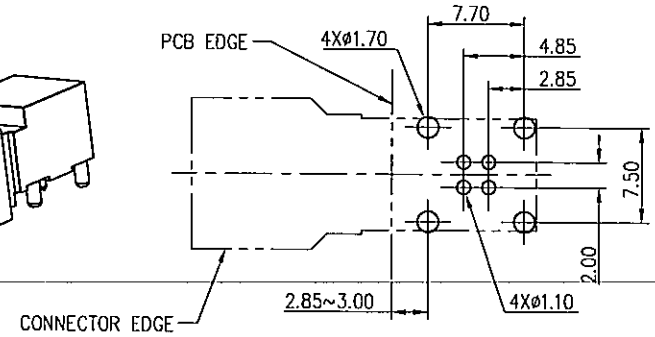
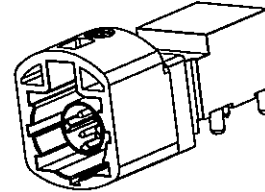
This document is the property of Amphenol Corporation and is delivered on the express condition that it is not to be disclosed, reproduced or used, in whole or in part, for manufacture or sale by anyone other than Amphenol Corporation without its prior consent, and that no right is granted to disclose or to use any information in this document.

CUSTOMER DRAWING

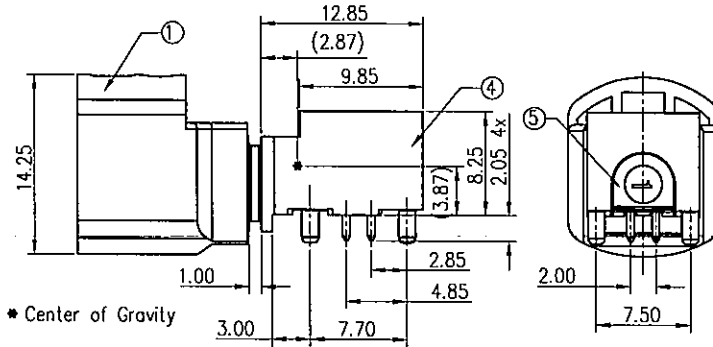
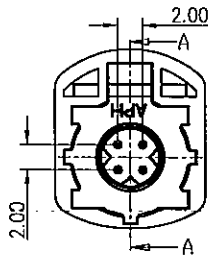
REVISIONS				
SYM	ECN	DESCRIPTION	DATE	APPROVED
1	HK7488	RELEASE TO CUSTOMER	11/21'16	IP



Pinning standard



RECOMMENDED PCB LAYOUT TOP VIEW
TOLERANCE: ±0.05(PCB THICKNESS=1.6±0.15mm)



* Center of Gravity

Notes:

1. Material:

- ① Housing: High temperature thermoplastic, color see table 1.
- ② Dielectrics: High temperature thermoplastic, color black.
- ③ Center contact: Copper alloy.
- ④ Outer contact: Zinc alloy.
- ⑤ Cover: Zinc alloy.

2. Finish:

- ③ Center contact: 0.15um min. gold plated on contact area;
- ④ Outer contact: 1.27um min. matte tin plated.
- ⑤ Cover: 2um min. nickel plated.

4. RoHS compliant.

5. Order P/N system:

HSD NXRP PCB 13X

Coding: _____
See table 1

Packing method:

- A- Packing by tape & reel
- B- Packing by tray
- C- Single Packing



Table 1

Plug	Coding	Color	Ral
	A	Black	9005
	B	White	9001
	C	Blue	5005
	D	Claret	4004
	E	Green	6002
	F	Brown	8011
	Z	Waterblue	5021

Plug	Coding	Color	Ral
	G	Grey	7031
	H	Violet	4003
	J	Beige	1001
	K	Curry	1027
	L	Yellow green	6018
	M	Pastel orange	2003
	O	Light green	6027

UNLESS OTHERWISE SPECIFIED TOLERANCES		APPROVAL		DATE	Amphenol
U.S.	METRIC	DRAWN	KAKA.Yang	10/21'16	
.X +/-	0.50	CHECKED	<i>[Signature]</i>	11/21/16	TITLE HSD R/A PLUG LOW PROFILE CONNECTOR SMT TYPE, NORTH LOCATION
.XX +/-	0.25	CHECKED			
.XXX +/-	0.20	DRAWING FILE: HSD R/A PLUG LOW PROFILE CONNECTOR - LOW			SIZE
FRACTIONS +/-	5'	REMOVE SHARP EDGES			DRAWING NO.
ANGLES +/-		ANGLE OF PROJECTION			REV.
DIMENSIONS		U.S. INCHES			A4
METRIC MM		SCALE			HSDNXRPPCB13X
					1
					SHEET 1 OF 1