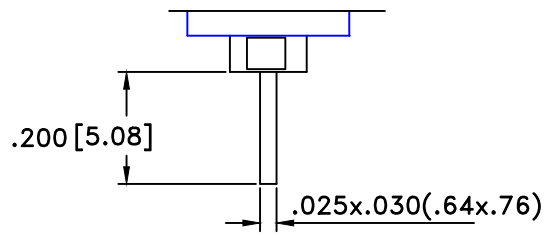
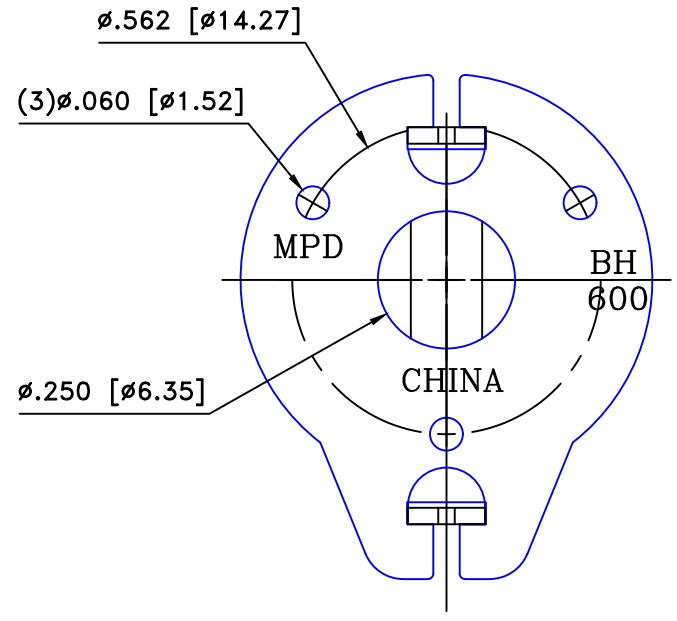
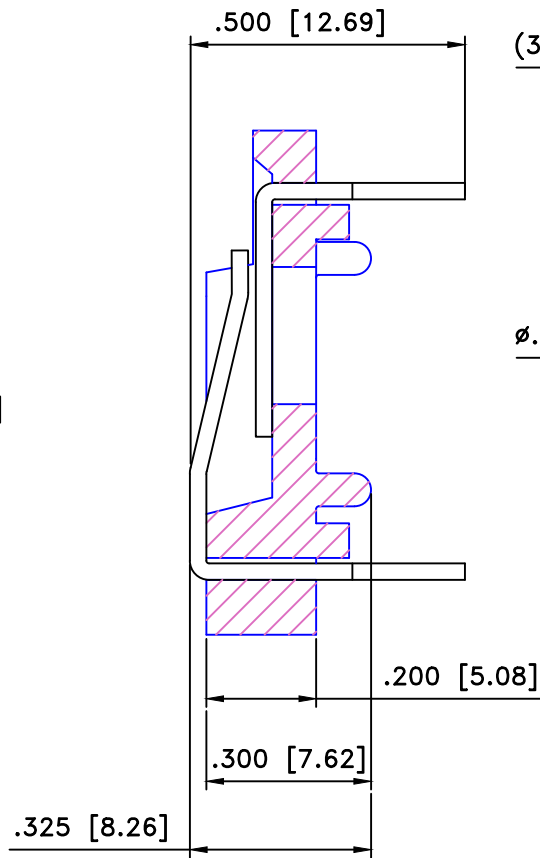
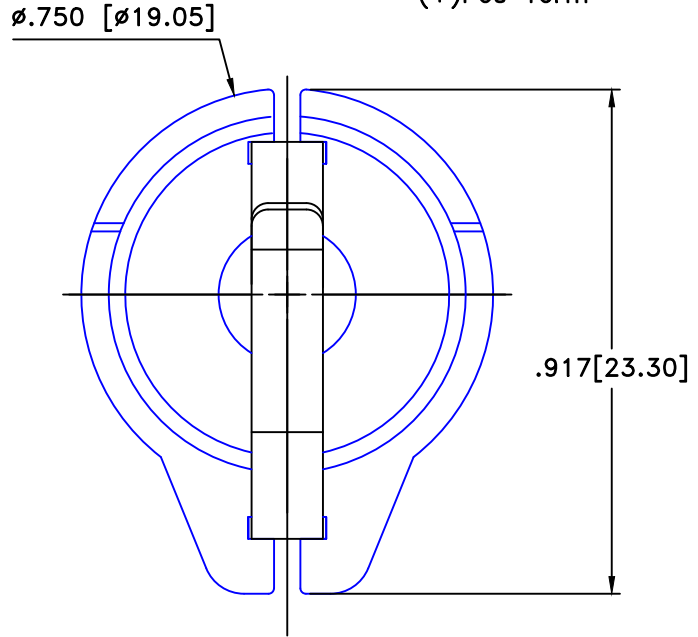
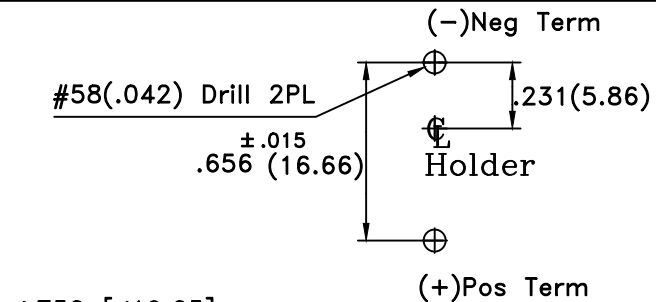


Date	SYM	REVISION RECORD	AUTH	DR.	CK.
11/07/19	D	Added weight of the part	T.B.	B.S.	




Square Contact Detail

SPECIFICATIONS

- *Holder material—thermoplastic, black PBT
- *Flammability rating—UL94V-0, File No.88499(M)
- *Contacts—Stainless Steel spring temper
Gold Flash Finish
- *Dielectric strength—560volts/mil at 25°C for 5seconds
- *Temperature range— -55° to +180°C
- *Resistance to solvents—Xylene,ethyl,butyl,methyl&proptl
alcohol;ethyl acetate,heptane;toluene;refrigerant
- *Approximate weight: 1.68g

ROHS COMPLIANT

Tolerance (Except as noted)	 Memory protection Devices, Inc 200 Broad Hollow Road, Farmingdale, New York 11735	Scale	Drawn By B.S.
		4=1	Approved By T.B.
decimal ±.5 (.020)	Title BR/CR/DL 1620/1632 COIN BATTERY HOLDER		
Fractional ± .8 (.030)	Date	Drawing Number	
Angular ± 3°	11/07/19	BH600-G	