

P	LTR	DESCRIPTION	DATE	DWN	APVD
	A1	REVISED NOTES	30OCT2019	MZ	MZ
	B	REVISED PER ECR-19-019350	19DEC2019	SB	FD
	B1	REVISED PER ECR-20-015354	28OCT2020	SR	FD
	C	REVISED PER ECR-21-108141	19JUL2021	SM	FD

NOTES:

1. MATERIALS:

CONTACT : COPPER ALLOY, TIN PLATED
 HOUSING: PPE+PS; COLOR: DARK GREY
 BUTTON: PPE+PS; COLOR: DARK GREY

2. APPLICABLE CABLES:

A) APPROVED ACCORDING UL FILE E353372 FOR SOLAR CABLES FROM 5.5 mm TO 7.2 mm

B) APPROVED ACCORDING TUV RHEINLAND CERTIFICATE NUMBER R60152499.0001 FOR FOLLOWING CABLE TYPES FROM DEFINED MANUFACTURERS:

- TE CABLE PN 2328394, 2.5 mm² (14 AWG)
- TE CABLE PN 2270245, 4 mm² (12 AWG)
- TE CABLE PN 2270260, 4 mm² (12 AWG)
- TE CABLE PN 2328400, 6 mm² (10 AWG)
- TE CABLE PN 2270215, 4 mm² (12 AWG)
- TE CABLE PN 2270259, 4 mm² (12 AWG)
- BYSON 6351D 2.5mm²/14AWG
- BYSON 6352D 4mm²/12AWG
- BYSON 6353D 6mm²/10AWG
- HONGLIN DPN4012A20 4mm²/12AWG

3. MATING CONNECTORS, TE PART NO.:

- 2308033-1 (SOLARLOK 2.0)
- x-2270025-y (PV4-S)
- x-1971919-y (PV4-PM)

4. NOTE REMOVED

5 MOULDING PRODUCTION DATE MARKING

6 AREA FOR LASER PRINTING DATA MATRIX AND PARTNUMBER
 PPPPPPPPVVYYWDFL####

- PPPPPPPP = PART NUMBER
- V = VERSION CUSTOMER DRAWING
- YY = LAST TWO DIGITS OF YEAR 19
- WW = WEEK NUMBER
- D = WEEKDAY (1 MONDAY)
- F = FACTORY CODE (S = SZCZECIN, T = TRUTNOV)
- L = MANUFACTURING LINE (M=MANUAL, A=AUTOMATIC)
- ##### = SERIAL NUMBER (PRODUCTION PER DAY)

7 CABLE FOR REFERENCE ONLY

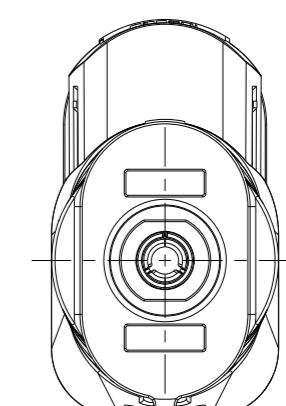
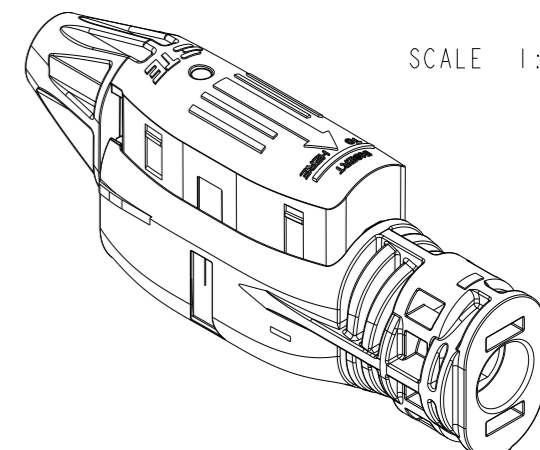
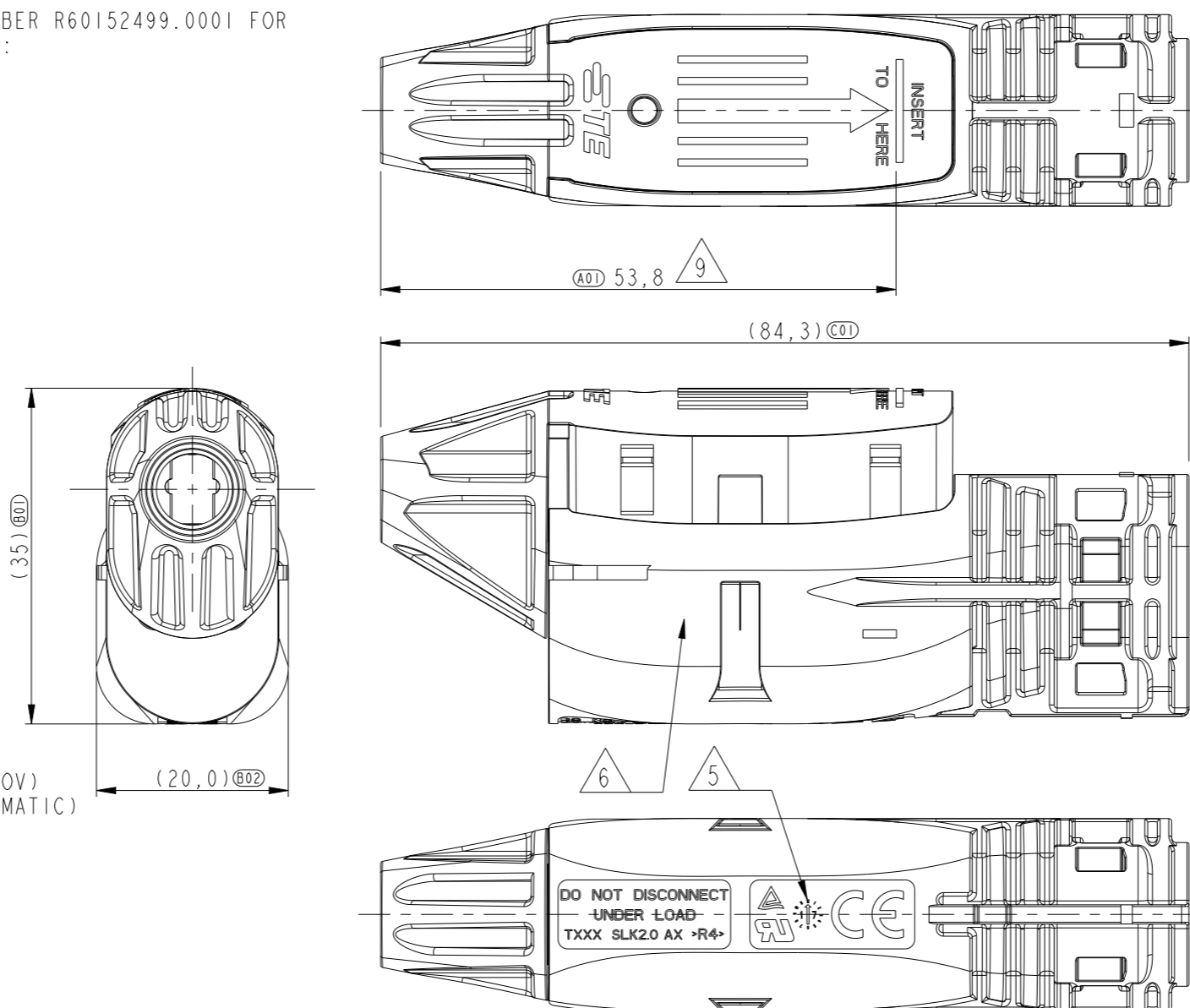
8 WHEN BUTTON AND HOUSING RIBS ARE ALIGNED, THE CONNECTOR IS CORRECTLY TERMINATED

9 MINIMUM CABLE INSERTION LENGTH 53.8 ± 2 mm

10. CHECK APPLICATION SPEC 114-133104 FOR PROPER CABLE CONNECTION

11. FOR PACKAGING FORMAT AND QUANTITY SEE 107-133104.

DIMENSIONS BEFORE APPLICATION



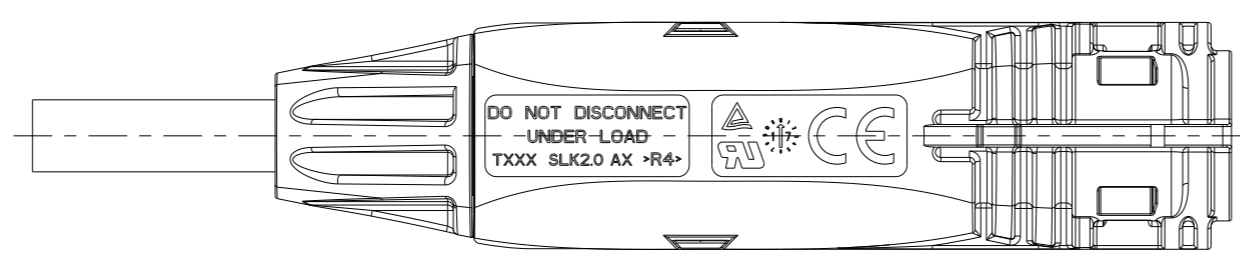
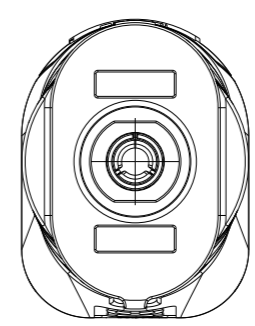
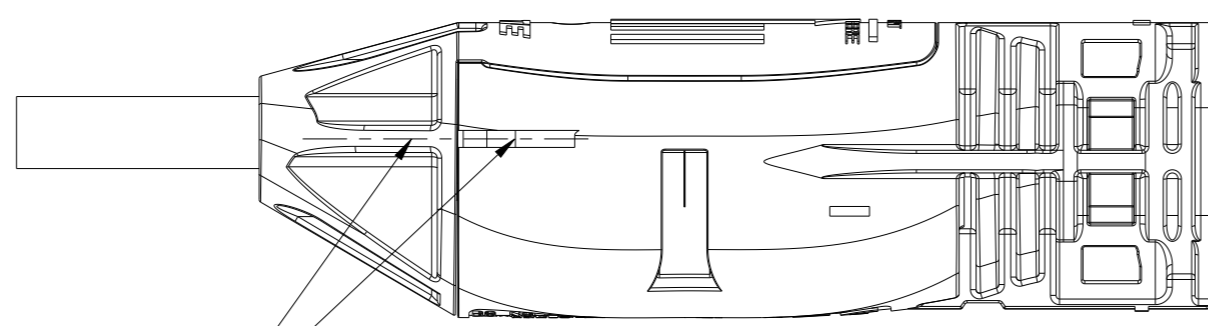
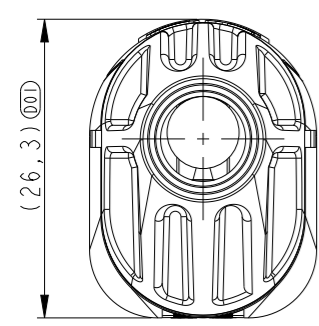
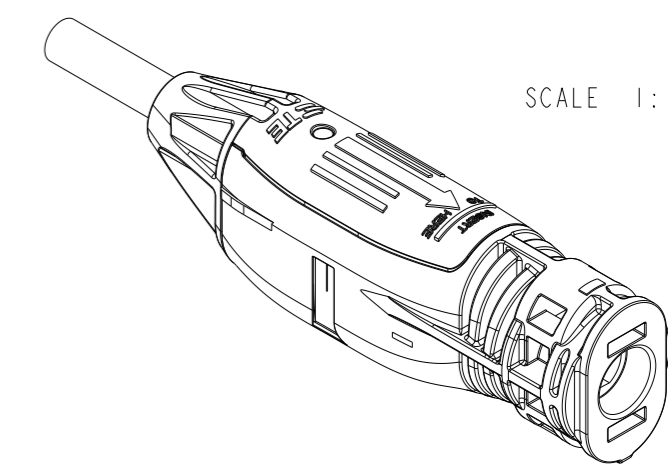
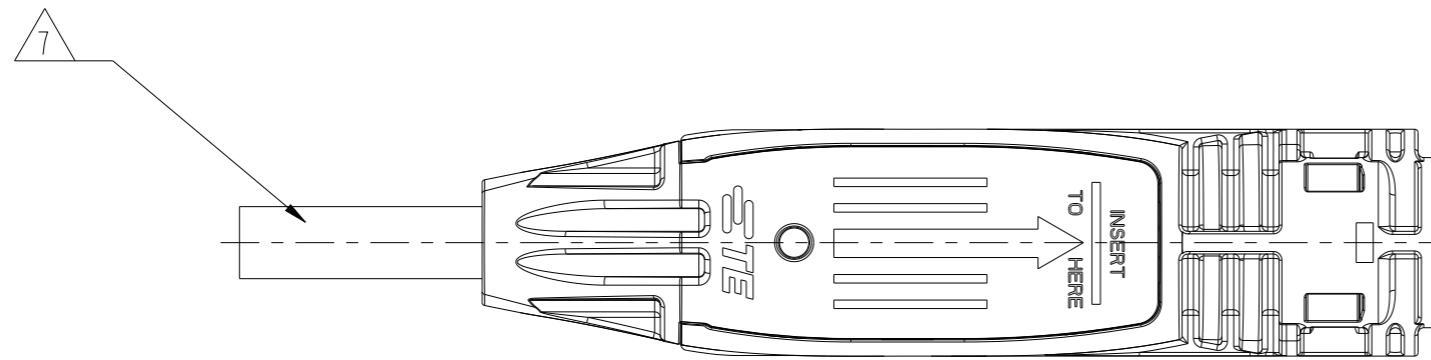
P/N 2315176-1 AS SHOWN
 MODEL CODE: SLK-PI-1-BL-XX

THIS DRAWING IS A CONTROLLED DOCUMENT.		DWN 06DEC2017 RAGHAVENDRA.K	TE Connectivity			
DIMENSIONS: mm		CHK 31JAN2018 F.DENDAS				
TOLERANCES UNLESS OTHERWISE SPECIFIED:		APVD 31JAN2018 O.LFIJNSE	NAME SOLARLOK 2.0 PIN CONNECTOR			
0 PLC ±0.5 1 PLC ±0.5 2 PLC ±0.5 3 PLC ± 4 PLC ± ANGLES ±3° FINISH -		PRODUCT SPEC 108-133104	SIZE A3	CAGE CODE 00779	DRAWING NO C-2315176	RESTRICTED TO -
MATERIAL SEE NOTES		APPLICATION SPEC 114-133104	SCALE 3:2		SHEET 1 OF 2	REV C
		WEIGHT -	CUSTOMER DRAWING			

REVISIONS

P	LTR	DESCRIPTION	DATE	DWN	APVD
	-	SEE SHEET 1	-	-	-

DIMENSIONS AFTER APPLICATION



THIS DRAWING IS A CONTROLLED DOCUMENT.

DIMENSIONS: mm	TOLERANCES UNLESS OTHERWISE SPECIFIED:
	0 PLC ±0.5 1 PLC ±0.5 2 PLC ±0.5 3 PLC ± 4 PLC ± ANGLES ±3° FINISH -
MATERIAL SEE NOTES	

DWN	06DEC2017
CHK	RAGHAVENDRA.K
APVD	31JAN2018
PRODUCT SPEC	F.DENDAS
APPLICATION SPEC	O.IEIJNSE
WEIGHT	108-133104
	114-133104
CUSTOMER DRAWING	

TE Connectivity		NAME		RESTRICTED TO
		SOLARLOK 2.0 PIN CONNECTOR		
SIZE	CAGE CODE	DRAWING NO		
A3	00779	C-2315176		
SCALE		SHEET	OF	REV
3:2		2	2	C