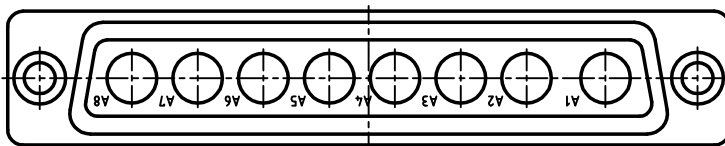
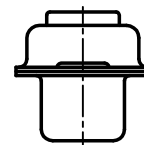
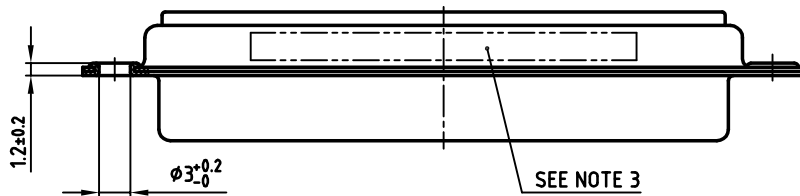
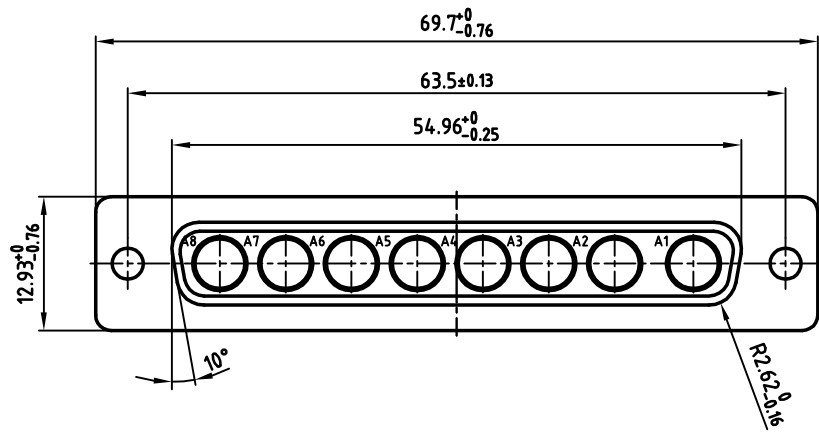
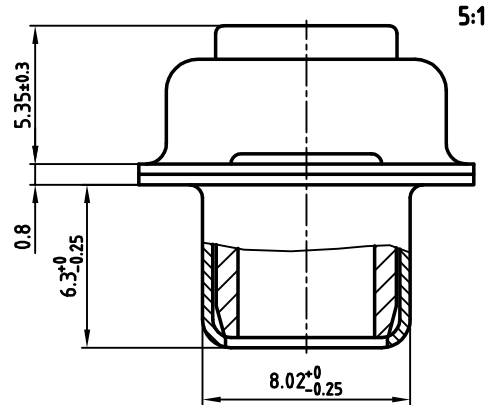


used for: D-SUB COMBINATION



(b) NOTES:

1. METALSHELLS: STEEL; min. 315µm TIN over 40-80µm NICKEL
2. INSULATORS: PBT GF UL 94 V-0; GREEN
3. CONNECTOR IS PART MARKED: PART NO: CONEC ABC

Directive 2002/95/EC
„RoHS“
Compliant

THIS DRAWING MAY NOT BE COPIED OR REPRODUCED IN ANY WAY, AND MAY NOT BE PASSED ON TO A THIRD PARTY, WITHOUT WRITTEN PERMISSION. OWNERSHIP AND COPYRIGHT OF CONEC GmbH DO NOT ALTER CAD DRAWING BY HAND

1 x b	Ä 2849	26.10.2007	Petker
a	Origin		
rev.	description	date	name

tolerance			
1997	date		
drawn	29.07.	name	Barcinski
appd.	29.07.	name	Mickenbecker
norm			
d-old			

scale:	2:1 (5:1)	
material:	SEE NOTES	
title:	D-SUB COMBINATION FEMALE 8W8S	
dwg no:	AutoCAD/REL.13	DIN-A
	16K11BKA	3
part no:	3008W8SXX99A10X	

