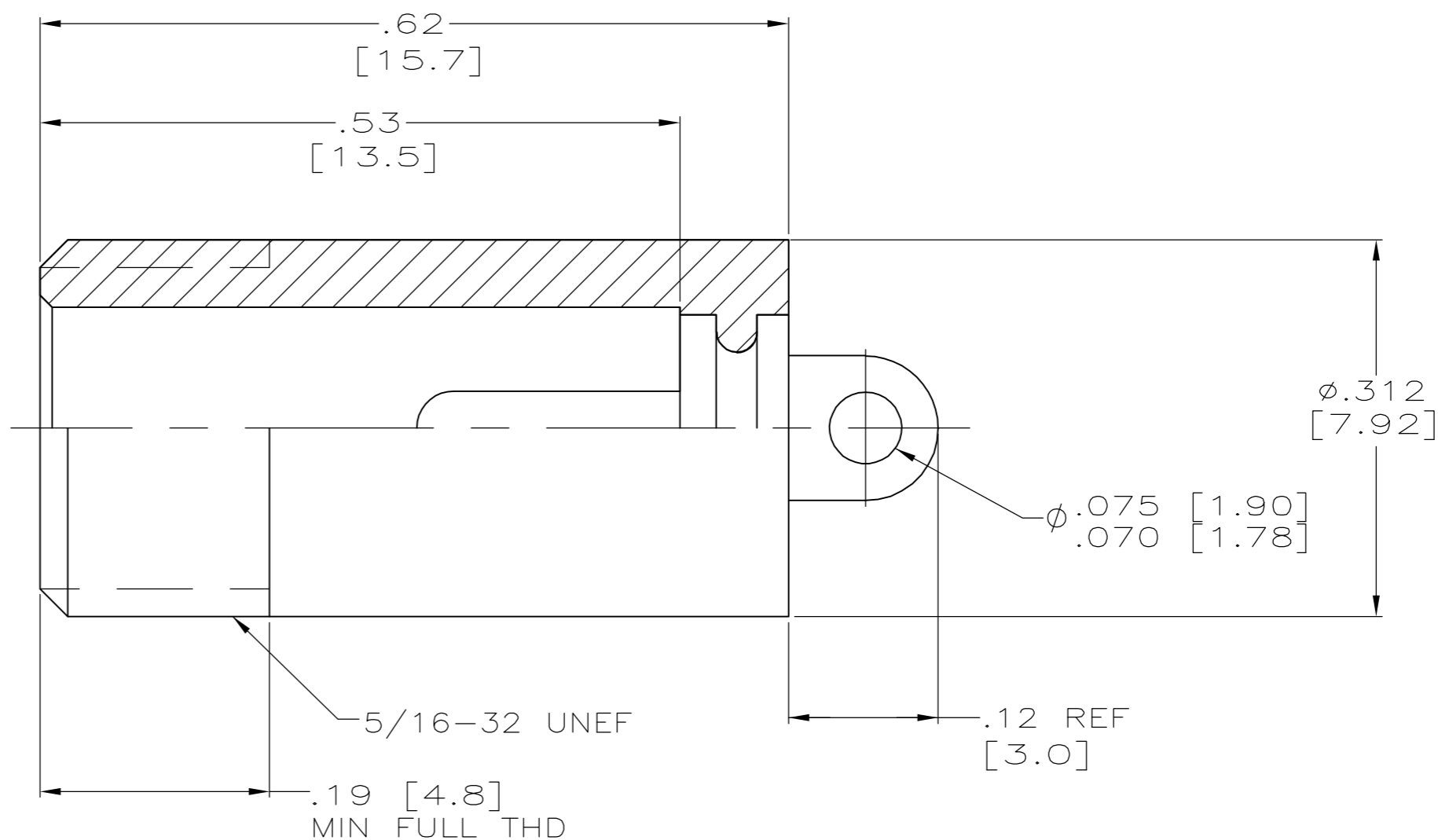
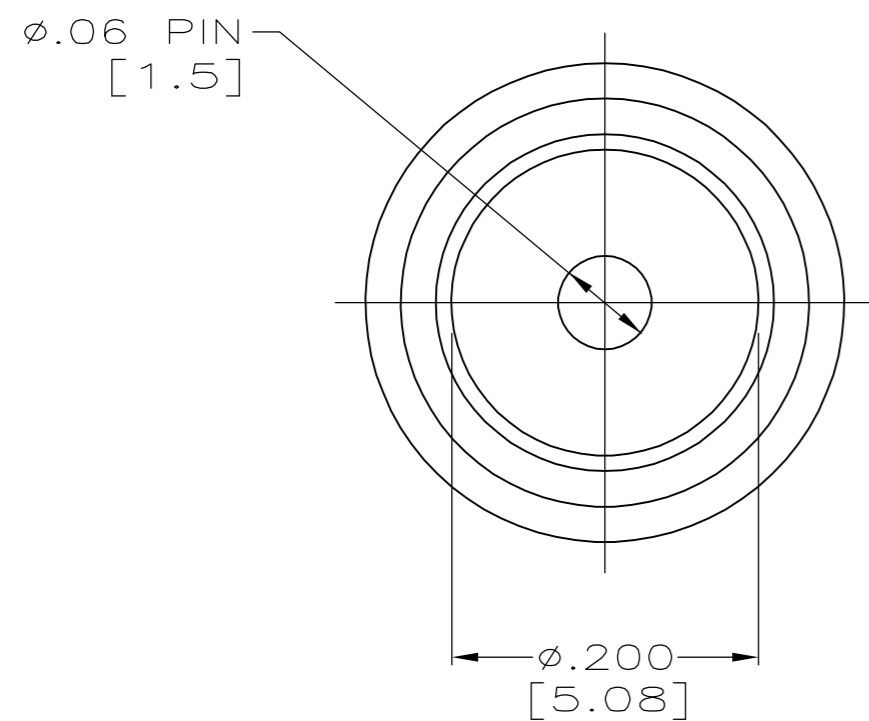


THIS DRAWING IS UNPUBLISHED. RELEASED FOR PUBLICATION
 © COPYRIGHT BY TYCO ELECTRONICS CORPORATION. ALL RIGHTS RESERVED.

LOC	DIST	REVISIONS			
P	LTR	DESCRIPTION	DATE	DWN	APVD
DF	S5	R	REV PER 0H14-0191-05	05-05	AA DE

1. RECEPTACLE TO MATE WITH AMP LGH-1/2 LEAD ASSY.
2. MARKED PER MIL-STD-130.
3. SPECIAL TESTING REQUIRED.
4. CUSTOMER PART NO. 44121-001 MARKED PER MIL-STD-130.



-	.000150 MIN TIN	5-830178-1
3/4	.000150 MIN TIN-LEAD	830178-8
3	.000150 MIN TIN-LEAD	830178-7
-	.000050 MIN GOLD	830178-3
-	.000030 MIN GOLD	830178-2
-	.000150 MIN TIN-LEAD	830178-1
REMARKS	TERMINAL PLATING	PART NO.

THIS DRAWING IS A CONTROLLED DOCUMENT.		DWN C.C.THOMAS 23-MAR-94	Tyco Electronics Corporation Harrisburg, Pa 17105-3608	
DIMENSIONS: INCHES		CHK D. EABY 24-MAR-94	NAME RECEPTACLE LGH-1/2	
TOLERANCES UNLESS OTHERWISE SPECIFIED:		APVD D. EABY 24-MAR-94	PRODUCT SPEC	
0 PLC ± - 1 PLC ± - 2 PLC ± .02[0.5] 3 PLC ± .005[0.13] 4 PLC ± - ANGLES ± - FINISH -		APPLICATION SPEC	SIZE A2	CAGE CODE 00779
MATERIAL EPOXY MLDG CMPD COLOR: BLACK		WEIGHT -	DRAWING NO C=830178	RESTRICTED TO -
CUSTOMER DRAWING			SCALE 4:1	SHEET 1 OF 1