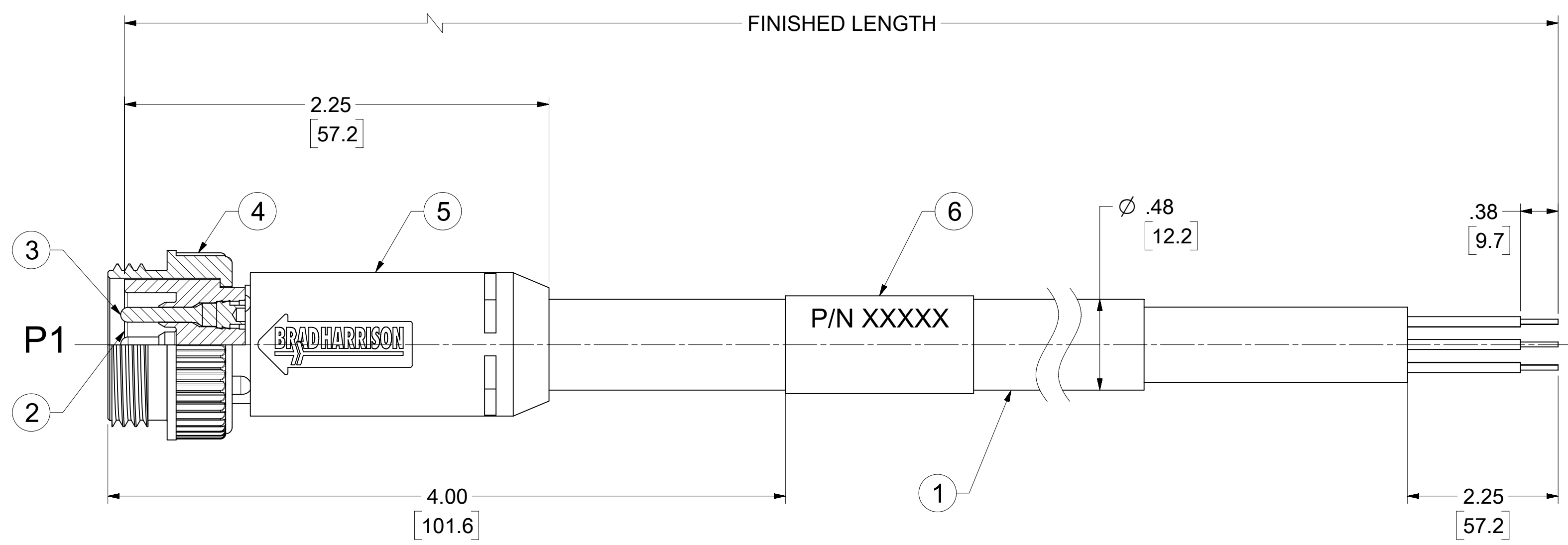
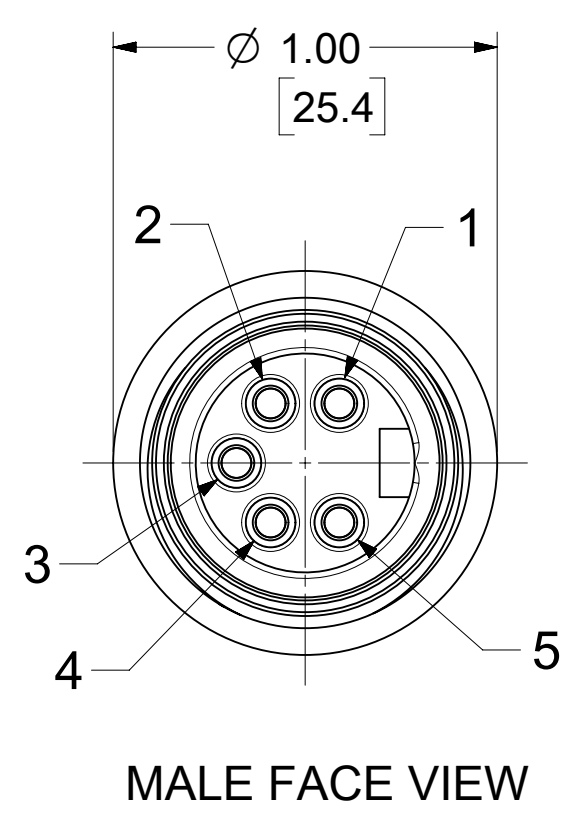
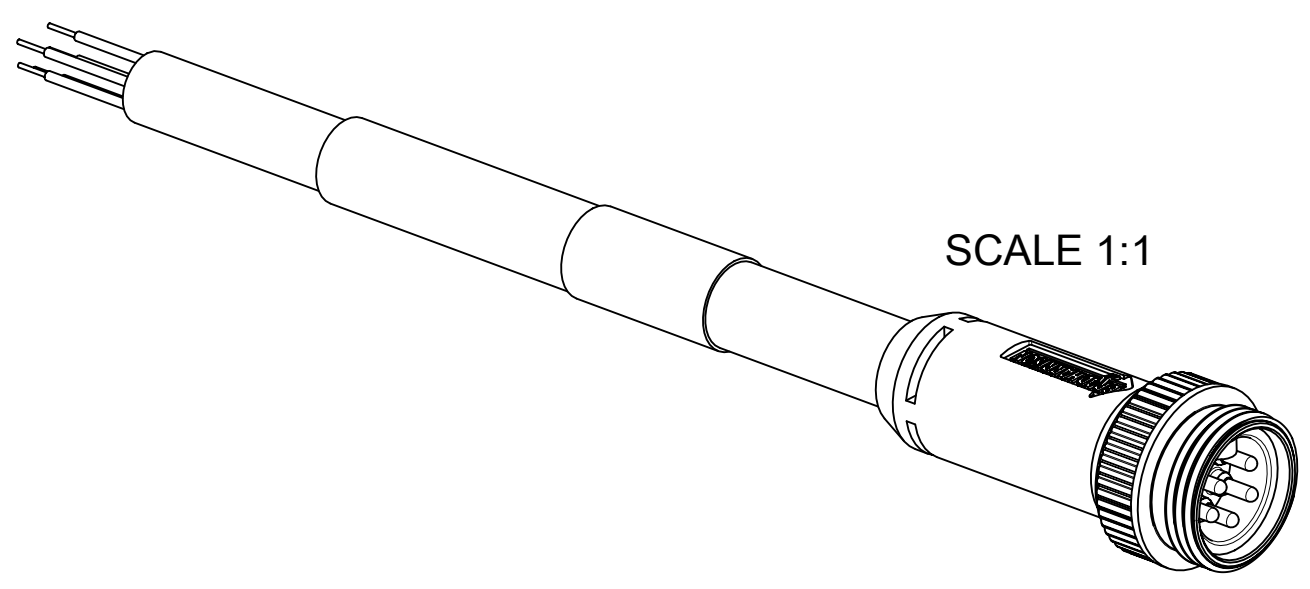


MATERIAL NO.	ENGINEERING NO.	FINISHED LENGTH
1300240028	DN01A-M010	1 M (3 FT 3.37 IN)
1300240031	DN01A-M020	2 M (6 FT 6.74 IN)
1300240034	DN01A-M050	5 M (16 FT 4.85 IN)

**CABLE LENGTH TOLERANCES**  
<.3M [1FT]: +19mm-0 [ +.75in-0]  
.3 - .9M [1 - 3FT]: +44.5mm-0 [+1.75in-0]  
.9 - 1.8M [3 - 6FT]: +55.6mm-0 [+2.19in-0]  
1.8 - 3.7M [6 - 12FT]: +88.9mm-0 [+3.50in-0]  
3.7 - 7.3M [12 - 24FT]: +165.1mm-0 [+6.50in-0]  
7.3-14.6M [24 - 48FT]: +317.5mm-0 [+12.50in-0]  
14.6 - 30.5M [48-100FT]: +622.3mm-0 [+24.50in-0]  
OVER 30M [100FT] +2% OF FINISHED LENGTH



- NOTES:**
- MATERIAL: AS NOTED
  - FINISH: AS NOTED
  - ELECTRICAL:  
VOLTAGE RATING: 300V  
CURRENT: 4A
  - TEMP RATING: -20°C TO +80°C (C)
  - PROTECTION: IP67 (WHEN MATED) (C)
  - CSA CERTIFIED FILE: LR6837 (C)  
UL RECOGNIZED FILE: E152210 (C)
  - COUPLING THREAD: 7/8"-16UN
  - MATES WITH: MINI-CHANGE, A-SIZE 5 POLE RECEPTACLE
  - ALL DIMS ARE FOR REFERENCE UNLESS TOLERANCED OR NOTED OTHERWISE

**WIRING DIAGRAM**

P1	DESCRIPTION
1	DRAIN
2	RED +V
3	BLACK -V
4	WHITE CAN H
5	BLUE CAN L

**PART NUMBER LEGEND (C)**

**DN01A-M010**

FINISHED LENGTH  
M005= 0.5 M  
M010= 1 M  
M100= 10M

ITEM	DESCRIPTION	MATERIAL	FINISH
6	WRAP LABEL	VINYL	BLACK/YELLOW
5	OVERMOLD	TPE	GRAY
4	COUPLING NUT	ZINC DIE CAST	BLACK E-COAT
3	PIN CONTACT	Cu ALLOY	GOLD OVER NICKEL
2	MALE INSERT	TPE	BLACK
1	CABLE, DEV-NET, TRUNK, #18-2, 15-2	PVC JACKET	GRAY
ITEM	DESCRIPTION	MATERIAL	FINISH

FUNCTIONAL SYMBOLS FA=0 FC=0 FP=0	THIS DRAWING CONTAINS INFORMATION THAT IS PROPRIETARY TO MOLEX ELECTRONIC TECHNOLOGIES, LLC AND SHOULD NOT BE USED WITHOUT WRITTEN PERMISSION		CURRENT REV DESC: UPDATED ITEM #2.5 WERE PVC & MATERIAL P/N TABLE, REMOVED PIN CONTACT TO AVOID DUPLICATION, ADDED CSA, UL, TEMP RATING, IP RATING, TOL. CHART & PART NUMBER LEGEND	
	DIMENSION UNITS	SCALE	EC NO: 698297	
	INCH	2:1	DRWN: AKABADI	2021/10/08
	GENERAL TOLERANCES (UNLESS SPECIFIED)		CHK'D: RSTONE	2022/03/16
DIVISIONAL SYMBOLS	4 PLACES	MM	INCH	APPR: BWOODMAN
	3 PLACES	±	±	2022/03/26
	2 PLACES	±	±	INITIAL REVISION:
	1 PLACE	±	±	DRWN: RSTONE
0 PLACES	±	±	2009/04/24	2009/04/29
ANGULAR TOL	± °	THIRD ANGLE PROJECTION		DRAWING SERIES
DRAFT WHERE APPLICABLE MUST REMAIN WITHIN DIMENSIONS		C-SIZE		130024

DOCUMENT NUMBER		DOC TYPE	DOC PART	REVISION
SD-130024-001		PSD	001	C
MATERIAL NUMBER	CUSTOMER	SHEET NUMBER		
SEE TABLE	GENERAL MARKET	1 OF 1		