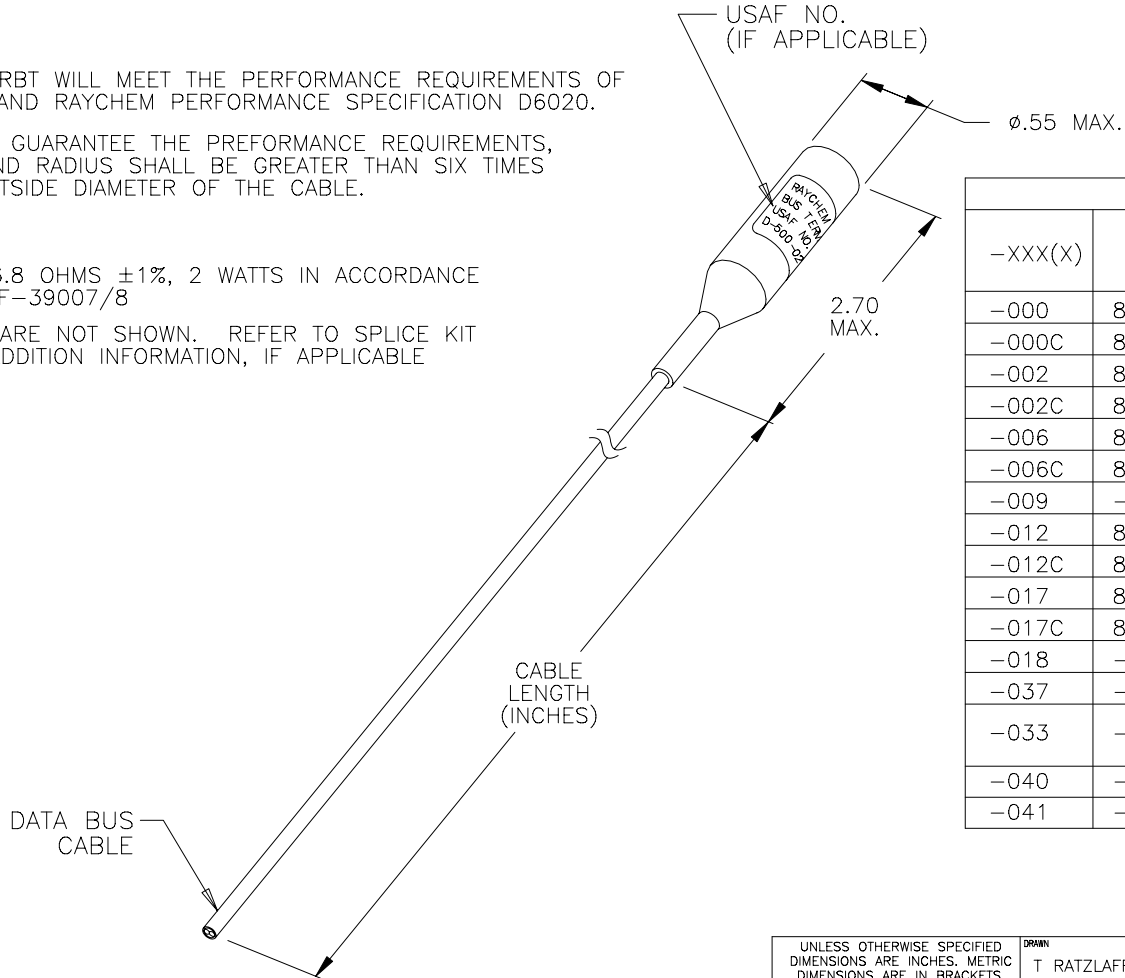


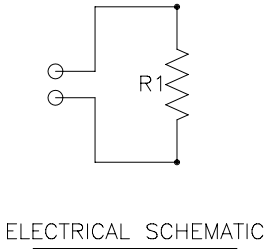
REVISION		DATE
REV	DESCRIPTION	
G	REVISED PER DCR NUMBER T31612	28JAN2003

NOTES:

- BUS TERMINATORS ARE DESIGNED TO BE SPLICED TO MIL-STD-1553B DATABUS CABLES.
- PERFORMANCE  
THE TERMINATED RBT WILL MEET THE PERFORMANCE REQUIREMENTS OF MIL-STD-1553B AND RAYCHEM PERFORMANCE SPECIFICATION D6020.
- BEND RADIUS: TO GUARANTEE THE PERFORMANCE REQUIREMENTS, THE MINIMUM BEND RADIUS SHALL BE GREATER THAN SIX TIMES THE MAXIMUM OUTSIDE DIAMETER OF THE CABLE.
- MATERIALS
  - RESISTOR: 76.8 OHMS ±1%, 2 WATTS IN ACCORDANCE WITH MIL-PRF-39007/8
  - SPLICE KITS ARE NOT SHOWN. REFER TO SPLICE KIT SCD'S FOR ADDITION INFORMATION, IF APPLICABLE



TABULATION				
-XXX(X)	USAF NO.	CABLE NO.	MIN. CABLE LENGTH	SPLICE KIT
-000	8421503-A0-01	10602	12.0	D-150-0708-1
-000C	8421503-A0-02	10602	12.0	D-150-0708-3
-002	8421503-B0-01	10605	12.0	D-150-0708-1
-002C	8421503-B0-02	10605	12.0	D-150-0708-3
-006	8421503-E0-01	10614	12.0	D-150-0708-2
-006C	8421503-E0-02	10614	12.0	D-150-0708-4
-009	-----	10602	72.0	D-150-0124
-012	8421503-DO-01	10613	12.0	D-150-0708-2
-012C	8421503-DO-02	10613	12.0	D-150-0708-4
-017	8421503-C0-01	10612	12.0	D-150-0708-1
-017C	8421503-C0-02	10612	12.0	D-150-0708-3
-018	-----	10613	18.0	D-150-0708-2
-037	-----	10606	12.0	D-150-0124
-033	-----	EPD 30653Q	15.0	-----
-040	-----	10613	12.0	-----
-041	-----	10613	14.5	-----



**If this document is printed it becomes uncontrolled. Check for the latest revision.**

SPECIFICATION CONTROL DRAWING			
UNLESS OTHERWISE SPECIFIED DIMENSIONS ARE INCHES. METRIC DIMENSIONS ARE IN BRACKETS.	DRN	DATE	 RAYCHEM PRODUCTS 305 CONSTITUTION DRIVE MENLO PARK, CALIFORNIA 94025
DECIMAL TOLERANCES .XXX ± 0.005 [ 0.13 mm ] .XX ± 0.010 [ 0.25 mm ] .X ± 0.020 [ 0.50 mm ]  ANGLE TOLERANCE .X ± 0.5 DEG.  WEIGHT, MAX (WITHOUT CABLE) LBS. 0.013 [ 6.0 gm ]	T RATZLAFF	28JAN2003	
CAD FILE	THIRD ANGLE PROJECTION		TITLE  <b>DATABUS TERMINATOR</b>
T31612.DWG	SIZE	CODE IDENT. NO.	DWG. NO.
	B	06090	D-500-0263-XXX(X)
DO NOT SCALE THIS DRAWING			SHEET 1 OF 1