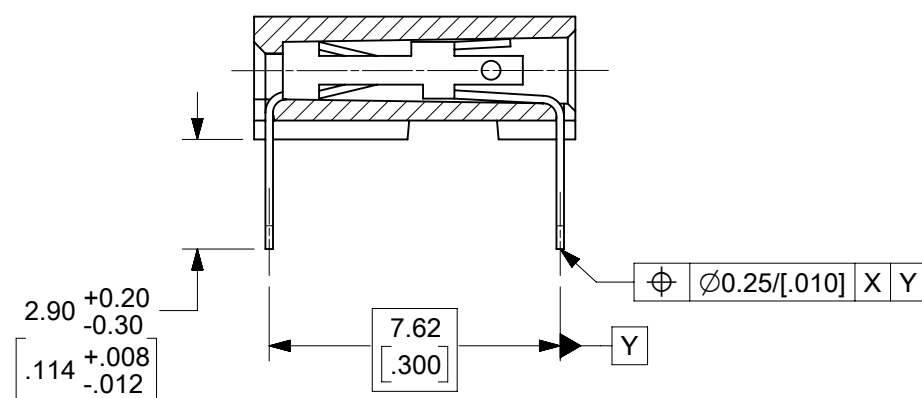
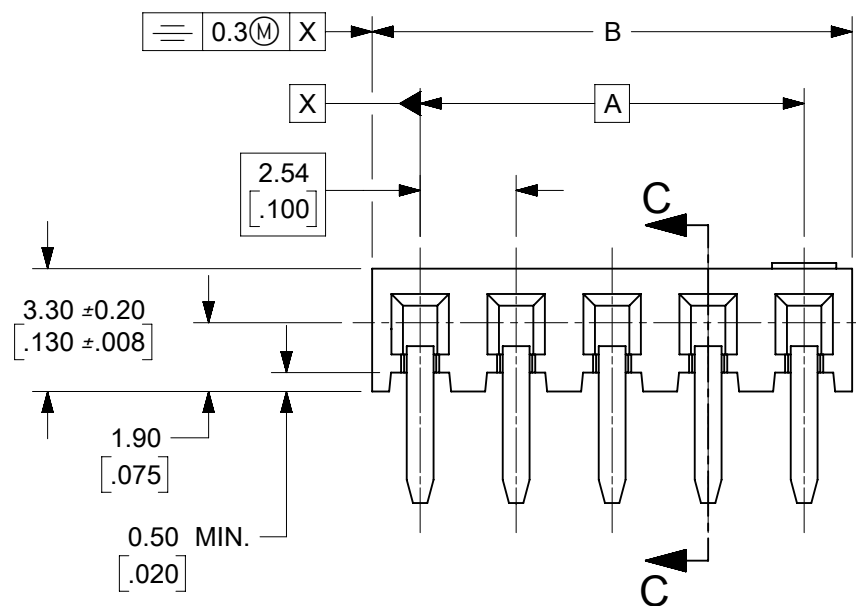


RECOMMENDED P.C. BOARD HOLE PATTERN FOR STRAIGHT PINS



SECTION C-C SHOWING STRAIGHT PINS

NOTES:

1. CONTACT-PLATED PHOSPHOR BRONZE. (SEE SHEET 2)
2. HOUSING POLYESTER (PBT), 15% GLASS FILL, UL94-V0. COLOR: BLACK. ALSO POLYAMIDE (PA4/6), 30% GLASS FILL, UL94V-0. COLOR: NATURAL.
3. FOR 0.635/[0.025] SQ. MALE PINS THE LENGTH MUST BE 5.65/[0.222] MIN. & 7.00/[0.276] MAX. TO ENSURE GOOD CONNECTION WITH CONTACT.
4. PRODUCT SPECIFICATION: PS-99020-0001
5. PCB THICKNESS 1.6MM

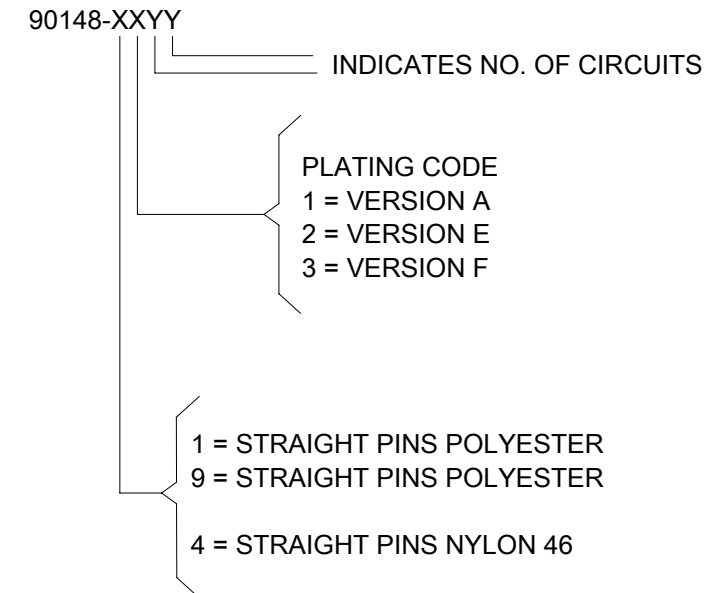
THIS DRAWING CONTAINS INFORMATION THAT IS PROPRIETARY TO MOLEX ELECTRONIC TECHNOLOGIES, LLC AND SHOULD NOT BE USED WITHOUT WRITTEN PERMISSION											
DIMENSION UNITS		SCALE		CURRENT REV DESC: MIGRATED TO NX						molex	
MM/INCH		NTS									
GENERAL TOLERANCES (UNLESS SPECIFIED)				EC NO: 613447		DRWN: ABABU01		2019/03/04		C-GRID III SINGLE ROW HORIZONTAL P.C BOARD CONN.	
				CHK'D: NMANE02		2019/03/11					
4 PLACES ±				APPR: MRAMAKRISHNA		2019/03/11		PRODUCT CUSTOMER DRAWING			
3 PLACES ±				INITIAL REVISION:		DRWN: DB		1987/07/14		DOCUMENT NUMBER	
2 PLACES ± 0.15				APPR: J.DENNEHY		2010/06/04		SDA-90148		DOC TYPE DOC PART REVISION	
1 PLACE ±				THIRD ANGLE PROJECTION		DRAWING		SERIES		MATERIAL NUMBER	
0 PLACES ±				B-SIZE		90148		SEE TABLE		CUSTOMER	
ANGULAR TOL ± 2.0°				DRAFT WHERE APPLICABLE MUST REMAIN WITHIN DIMENSIONS				GENERAL MARKET		SHEET NUMBER	
								1 OF 3			

PART NO's - STRAIGHT PINS		PART NO.	NO. OF CKTS.	A	B ⁺⁰ -0.30 [B ⁺⁰ -.012]	NO. PER TUBE
STANDARD	CUSTOMER SPECIFIC					
90148-1X02	_____	90148-4X02	2	2.54/[.100]	5.08/[.200]	105
90148-1X03	_____	90148-4X03	3	5.08/[.200]	7.62/[.300]	72
90148-1X04	_____	90148-4X04	4	7.62/[.300]	10.16/[.400]	52
90148-1X05	_____	90148-4X05	5	10.16/[.400]	12.70/[.500]	44
90148-1X06	90148-9X06	90148-4X06	6	12.70/[.500]	15.24/[.600]	36
90148-1X07	_____	90148-4X07	7	15.24/[.600]	17.78/[.700]	30
90148-1X08	_____	90148-4X08	8	17.78/[.700]	20.32/[.800]	26
90148-1X09	_____	90148-4X09	9	20.32/[.800]	22.86/[.900]	24
90148-1X10	_____	90148-4X10	10	22.86/[.900]	25.40/[1.000]	22
90148-1X11	_____	90148-4X11	11	25.40/[1.000]	27.94/[1.100]	18
90148-1X12	_____	90148-4X12	12	27.94/[1.100]	30.48/[1.200]	18
90148-1X13	_____	90148-4X13	13	_____	_____	16
90148-1X14	_____	90148-4X14	14	33.02/[1.300]	35.56/[1.400]	14
90148-1X15	_____	90148-4X15	15	35.56/[1.400]	38.10/[1.500]	14
90148-1X16	_____	90148-4X16	16	_____	_____	13
90148-1X17	_____	90148-4X17	17	_____	_____	12
90148-1X18	_____	90148-4X18	18	43.18/[1.700]	45.72/[1.800]	12
90148-1X19	_____	90148-4X19	19	45.72/[1.800]	48.26/[1.900]	12
90148-1X20	_____	90148-4X20	20	48.26/[1.900]	50.80/[2.000]	11
90148-1X21	_____	90148-4X21	21	_____	_____	10
90148-1X22	_____	90148-4X22	22	_____	_____	10
90148-1X23	_____	90148-4X23	23	_____	_____	10
90148-1X24	_____	90148-4X24	24	_____	_____	9
90148-1X25	_____	90148-4X25	25	60.96/[2.400]	63.50/[2.500]	8
90148-1X26	_____	90148-4X26	26	63.50/[2.500]	66.04/[2.600]	8
90148-1X27	_____	90148-4X27	27	_____	_____	8
90148-1X28	_____	90148-4X28	28	_____	_____	7
90148-1X29	_____	90148-4X29	29	_____	_____	7
90148-1X30	_____	90148-4X30	30	73.66/[2.900]	76.20/[3.000]	7
90148-1X31	_____	90148-4X31	31	_____	_____	7
90148-1X32	_____	90148-4X32	32	78.74/[3.100]	81.28/[3.200]	6

PLATING VERSION A
PRE-PLATED HOT DIP TIN
1.0 TO 2.5 MICRONS [.00004" TO .00010"].

PLATING VERSION E
1.27 TO 1.78 MICRONS [.00005" TO .00007"] NICKEL
OVERALL, 0.38 TO 0.64 MICRONS [.000015" TO .000025"]
GOLD ON CONTACT AREA (OVER NICKEL).
3 TO 5 MICRONS [.00012" TO .00020"] TIN
ON SOLDER TAILS (OVER NICKEL).

PLATING VERSION F.
1.27 TO 1.78 MICRONS [.00005" TO .00007"] NICKEL
OVERALL, 0.76 TO 1.0 MICRONS [.00003" TO .00004"]
GOLD ON CONTACT AREA (OVER NICKEL).
3 TO 5 MICRONS [.00012" TO .00020"] TIN
ON SOLDER TAILS (OVER NICKEL).

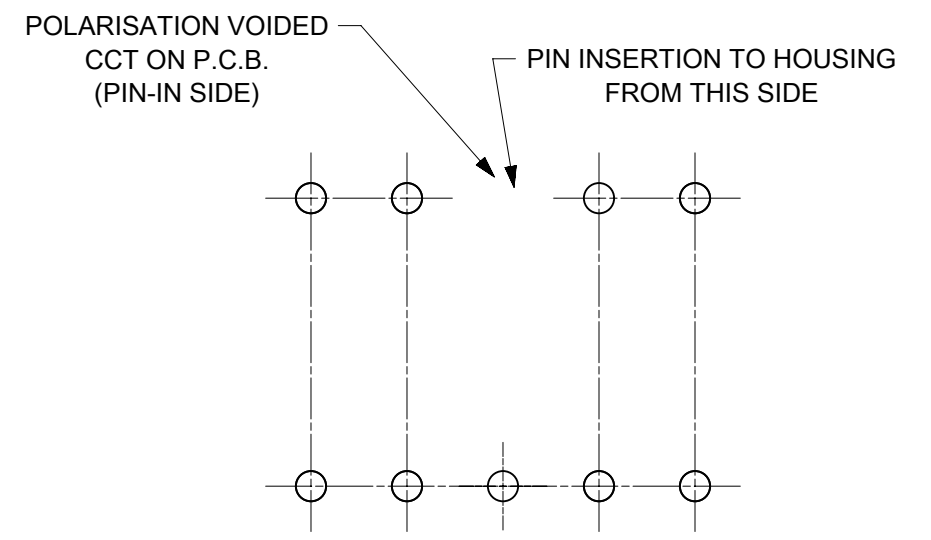
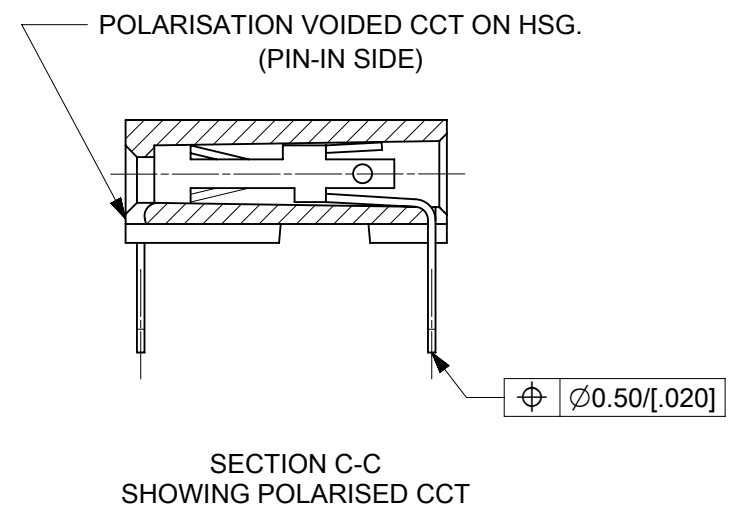
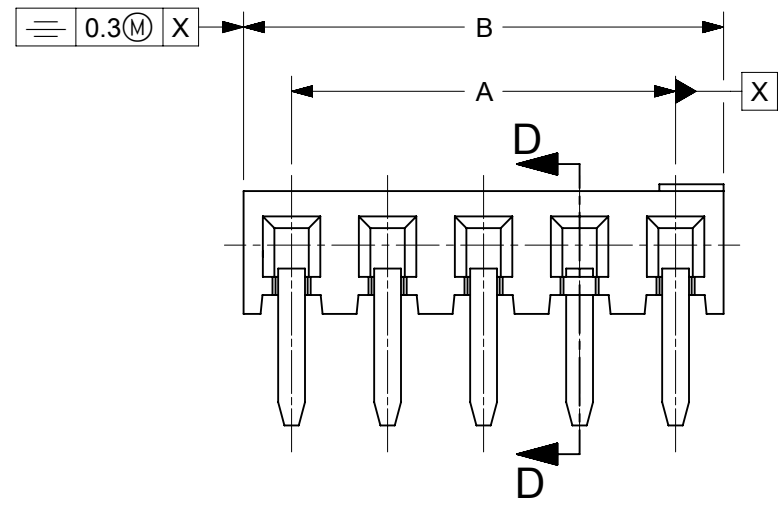


THIS DRAWING CONTAINS INFORMATION THAT IS PROPRIETARY TO MOLEX ELECTRONIC TECHNOLOGIES, LLC AND SHOULD NOT BE USED WITHOUT WRITTEN PERMISSION									
DIMENSION UNITS mm	SCALE NTS	CURRENT REV DESC: MIGRATED TO NX							
GENERAL TOLERANCES (UNLESS SPECIFIED)		EC NO: 613447							
ANGULAR TOL ± 2.0°	4 PLACES ±	DRWN: ABABU01 2019/03/04			C-GRID III SINGLE ROW HORIZONTAL P.C BOARD CONN.				
3 PLACES ±	2 PLACES ± 0.15	CHK'D: NMANE02 2019/03/11							
1 PLACE ±	0 PLACES ±	APPR: MRAMAKRISHNA 2019/03/11			PRODUCT CUSTOMER DRAWING				
DRAFT WHERE APPLICABLE MUST REMAIN WITHIN DIMENSIONS		INITIAL REVISION: DRWN: RFC_PLMIMP 2018/10/05 APPR: MWILHITE 2002/03/19							
THIRD ANGLE PROJECTION		DRAWING B-SIZE	SERIES 90148	MATERIAL NUMBER SEE TABLE	CUSTOMER GENERAL MARKET	DOCUMENT NUMBER SDA-90148	DOC TYPE PSD	DOC PART 001	REVISION AK1
					SHEET NUMBER 2 OF 3				

PART NO.	POLARISED CCT NO.	NO. OF CKTS.	A	B ⁺⁰ / _{-0.30} [B ⁺⁰ / _{-0.12}]	NO. PER TUBE
90148-3X01	2	3	5.08/[.200]	7.62/[.300]	72

NON-STANDARD PRODUCTS

90148 -XXYY
 OPTION NUMBER
 (NOT RELATING TO CCT SIZE OR OTHERWISE)
 PLATING CODE (SEE SHEET 2)
 3 = STRAIGHT PINS POLYESTER, POLARISED



NOTES:
 1. SEE SHEET 1 FOR ALL UNSPECIFIED DIMENSIONS AND NOTES.
 2. PARTS NOT STACKABLE.

THIS DRAWING CONTAINS INFORMATION THAT IS PROPRIETARY TO MOLEX ELECTRONIC TECHNOLOGIES, LLC AND SHOULD NOT BE USED WITHOUT WRITTEN PERMISSION

DIMENSION UNITS mm	SCALE NTS	CURRENT REV DESC: MIGRATED TO NX		molex		
GENERAL TOLERANCES (UNLESS SPECIFIED)		EC NO: 613447				
ANGULAR TOL ± 2.0°	4 PLACES ±	DRWN: ABABU01	2019/03/04	PRODUCT CUSTOMER DRAWING		
3 PLACES ±	2 PLACES ± 0.15	CHK'D: NMANE02	2019/03/11	DOCUMENT NUMBER		
1 PLACE ±	0 PLACES ±	APPR: MRAMAKRISHNA	2019/03/11	SDA-90148		DOC TYPE DOC PART REVISION
DRAFT WHERE APPLICABLE MUST REMAIN WITHIN DIMENSIONS	THIRD ANGLE PROJECTION	DRWING	SERIES	MATERIAL NUMBER	CUSTOMER	SHEET NUMBER
		B-SIZE	90148	SEE TABLE	GENERAL MARKET	3 OF 3