

Flat suction cup (round)

SPF 30 ED-65 G1/8-AG

Part no...:10.01.01.13244

<https://www.schmalz.com/10.01.01.13244>

Home > Vacuum Technology for Automation > Vacuum Components > Vacuum Suction Cups > Suction Cups for the Packaging Industry > Flat Suction Cups SPF > SPF 30 ED-65 G1/8-AG

Flat suction cup (round) for dynamic handling of cardboard and rigid packaging



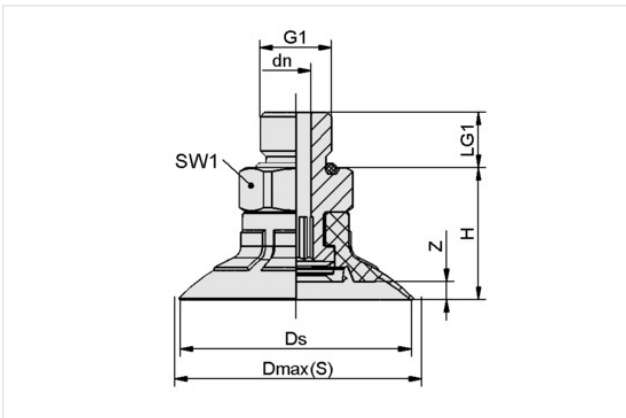
Size: 30

Suction cup material: Elastodur

Material hardness [Shore A]: 65 Shore A

Thread G1: G1/8"-M

Design Data



Attribute	Value
dn	4.10 mm
Dmax(S)	33.60 mm
Ds	31.40 mm
G1	G1/8"-M
H	18 mm
LG1	7.50 mm
SW1	14 mm
Z (Stroke)	2.50 mm

Note: Acceptable dimensional tolerances for elastomer parts concerning to DIN ISO 3302-1 M3

Technical Data

Attribute	Value
Suction force (-600mbar)	29.50 N
Pull-off force	35.30 N
Lateral force	22.50 N
Volume	2.53 cm ³
Curve radius (min) (convex)	35 mm
Hose diameter (empf.) d	6 mm
Size	30

Contact Schmalz

Schmalz Inc. | 5850 Oak Forest Drive, Raleigh, NC 27616, United States | +1 (919) 713-0880 | schmalz.us@schmalz.com

Flat suction cup (round)

SPF 30 ED-65 G1/8-AG

Part no...:10.01.01.13244

<https://www.schmalz.com/10.01.01.13244>

Number of folds	0
Suction cup material	Elastodur
Material hardness [Shore A]	65 Shore A
Weight	7.50 g
Product family	SPF

Note: Suction force: The specified suction forces are theoretical values at a vacuum of -0.6 bar and with a dry, smooth and flat workpiece surface - they do not include a safety factor Hose diameter: The recommended hose diameter refers to a hose length of approx. 2 m

Accessories



SIEB 11x1 MS-A2 280 0.28/0.16

Part no...:10.07.01.00309

External diameter D: 11 mm

Length L: 1 mm

Material: Brass / Stainless steel

Filter pore size: 280 µm



SU 30

Part no...:10.01.01.12889

Size: 30

Clamping range: 27.0 ... 35.0 mm

Temperature resistance: 80 °C

Spare parts

Contact Schmalz

Schmalz Inc. | 5850 Oak Forest Drive, Raleigh, NC 27616, United States | +1 (919) 713-0880 | schmalz.us@schmalz.com

Flat suction cup (round)

SPF 30 ED-65 G1/8-AG

Part no...:10.01.01.13244

<https://www.schmalz.com/10.01.01.13244>



SC 040 G1/8-AG

Part no...:10.01.06.02490

Connection geometry: 040

Connection: G1/8"-M

Length L1: 20.2 mm

Fitting length: 6 mm

Nominal diameter dn: 4.1 mm



SPF 30 ED-65 SC040

Part no...:10.01.01.12372

Size: 30

Suction cup material: Elastodur

Material hardness [Shore A]: 65 Shore A

Height H: 12 mm