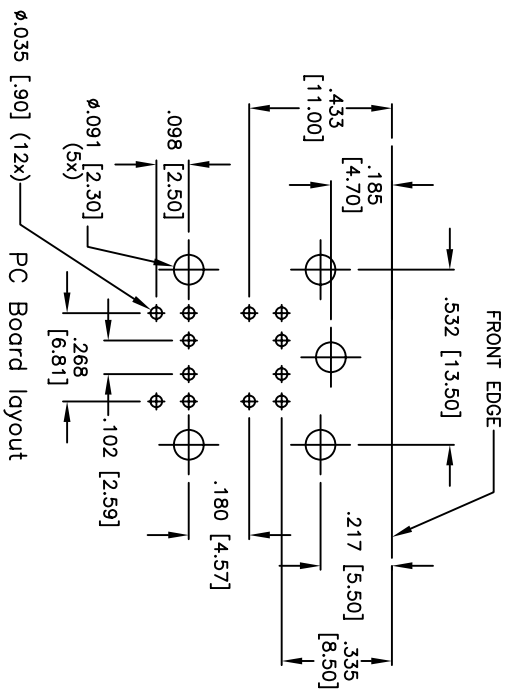
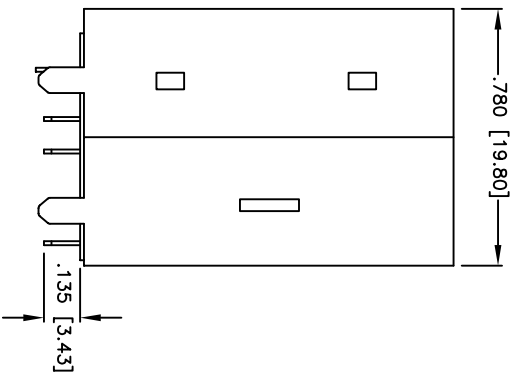
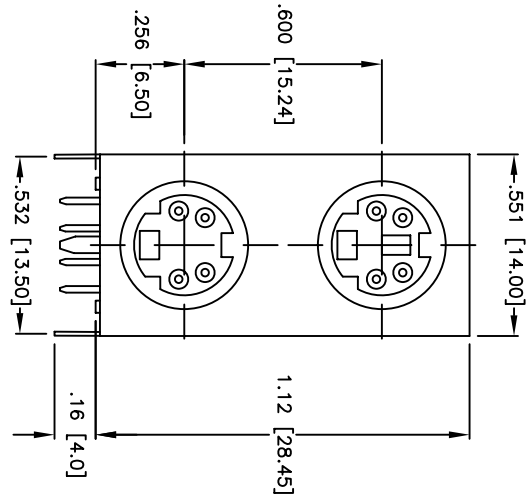


Rev	AWO #	Description	Date	Appr
-		RELEASED	1/23/06	

APPROVED: _____
 DATE: _____ TITLE: _____



SPECIFICATIONS:

- Material: Insulator: PBT, glass filled, rated UL 94V-0
- Insulator color: Black
- Contacts: Phosphor Bronze
- Shield: Copper Alloy, Tin plated
- Plating: Gold over Nickel underplate on contact area, Tin over Copper underplate on tails

- Electrical: Operating voltage: 100 VAC/12 VDC max.
- Current rating: 1 Amp max./2 Amps max.
- Contact resistance: 20 mohms max. initial
- Insulation resistance: 500 Mohms min.
- Dielectric withstanding voltage: 500 VAC for 1 minute
- Temperature Rating: Operating temperature: -25°C to +70°C

- Environmental: Lead free, RoHS compliant.
- Recommended soldering temp: 235 for 5 sec.



UNLESS OTHERWISE SPECIFIED ALL DIMENSIONS ARE IN INCHES [MM]	
TOLERANCES: EXCEPT AS NOTED	
INCHES	HOLDS
.X ± .10	ØX ± .10
.XX ± .020	ØXX ± .015
.XXX ± .015	ØXXX ± .010
APPROVALS	DATE
DRAWN	SS
CHECKED	1/23/06
APPROVED	

ADAM TECH
 909 Rahway Avenue, Union, NJ 07083
 Phone: 908-687-5000 Fax: 908-687-5710

TITLE: **MINI DIN JACK, STACKED 4 POSITION
 RIGHT ANGLE, FULLY SHIELDED**

SIZE: X PART NO.: MDJD-004-FS
 REF: SCALE: NTS SHEET 1 OF 1